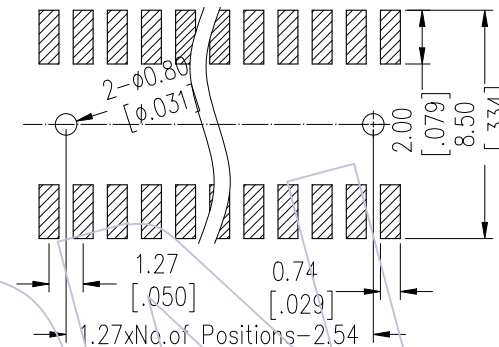
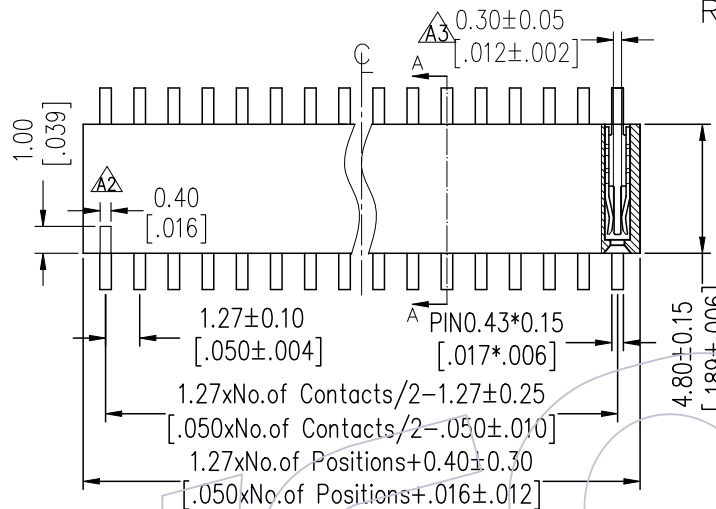


# HSF

NOTES:  
 Current Rating: 1.0AMP  
 Contact Resistance: 20mΩ Max  
 Withstand Voltage: 500V AC  
 Insulation Resistance: 1000MΩ Min  
 Operation Temperature: -40°C to +105°C

Contact Material: Phosphor Bronze  
 Contact plating: Au over Ni  
 Insulator Material: PA9T+33%GF UL94V-0

Recommended P.C.B Layout (Top Side)  
 (PCB BOARD TOLERANCE ±0.05)



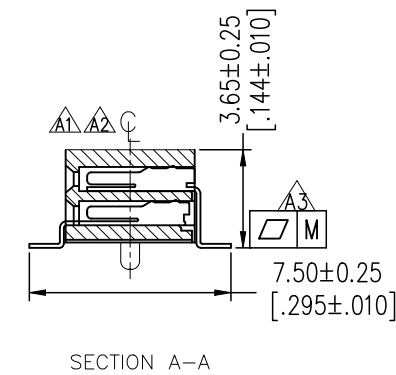
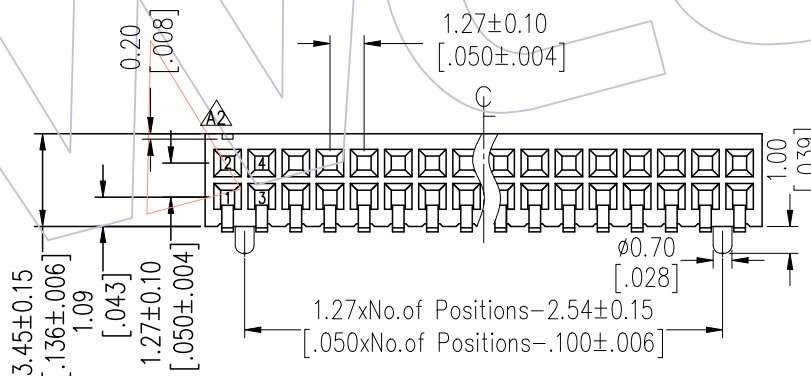
## Ordering Information

2335-2 XX M XX CUN X 2

No. of Pins per Row: 02-50Pin

Contact Plating:  
 G0=Gold Flash  
 G3=10μ"Gold  
 G4=15μ"Gold  
 G5=30μ"Gold  
 S0=Gold Flash/Tin  
 S3=10μ"Gold/Tin  
 S4=15μ"Gold/Tin  
 S5=30μ"Gold/Tin  
 SN=Tin

Packing:  
 T=Tube  
 R=Tape&Reel



Item	Pitch	Mating
Standard	1.27	1310/1315/1320
Alternate		

Pin (Per Row)	2-15P	16-30P	31-50P
M	0.10	0.15	0.18

REV	DATE	MODIFICATION DESCRIPTION	CHANGE	DIM	TOL	APPROVE	DATE	SCALE	FIT	PART NO.
A3	2023/02/03	ADD Flatness	A3	XSR	OPERATION	DRAW	DATE	SCALE	FIT	PART NO.
A2	2017/04/19	Cancel Mylar, Modify plastic	A2	-----	X.X ±0.40	XSR	2023/02/03	UNIT	mm	2335-2XXMXXCUNX2
A1	2014/08/08	Modify Mylar	-----	-----	X.XX ±0.25	CHECK	DATE	SIZE	A4	TITLE:
A0	2012/07/09	NEW	-----	-----	X.XXX ±0.15	APPROVE	DATE	SHEET	1/1	1.27mm Female Header DUAL SIDE INSERT SMT H=3.45 WITH POST
REV	DATE	MODIFICATION DESCRIPTION	CHANGE	DIM	TOL	APPROVE	DATE	PROJ.	Customer NO.	

# WCON

Http: www.wcon.com

WCON-Dongguan  
 Tel: +86 769 85358920  
 Fax: +86 769 85358915  
 E-mail: sales@wcon.com

WCON-Kunshan  
 Tel: +86 512 57468408  
 Fax: +86 512 57468468  
 E-mail: salesks@wcon.com