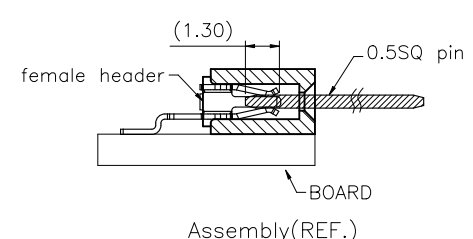
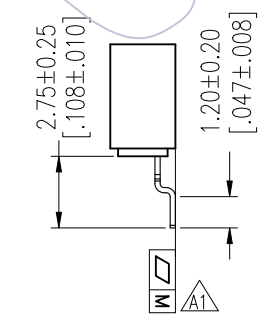
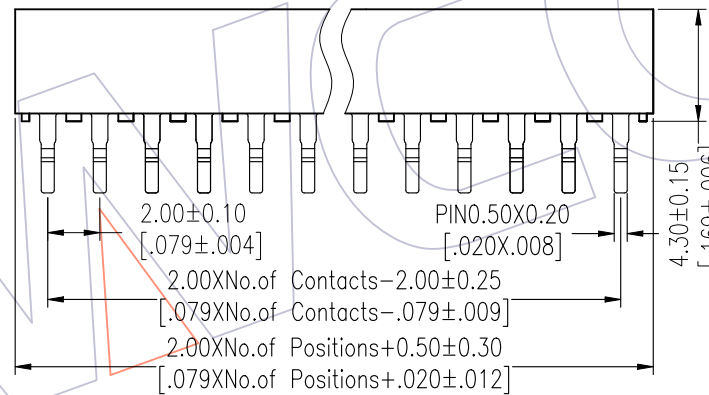
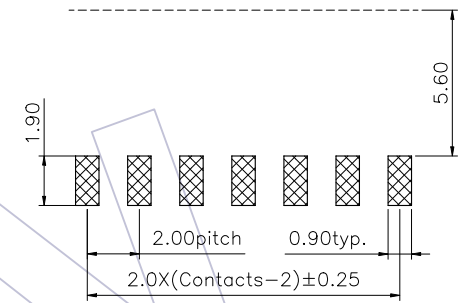
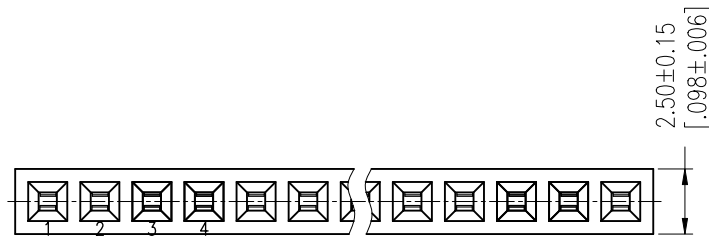


# HSF

Recommended P.C.B Layout(Top Side)  
(PCB BOARD TOLERANCE±0.05)

NOTES:  
 Current Rating: 2.0AMP  
 Contact Resistance: 20mΩ Max  
 Withstand Voltage: 500V AC  
 Insulation Resistance: 1000MΩ Min  
 Operation Temperature: -40°C to +105°C

Contact Material:Phosphor Bronze  
 Contact plating: Au Or Sn over Ni  
 Insulator Material:PA9T+33%G.F UL94V-0



## Ordering Information

2243-1 XX Z XX CUN X 1

No. of Pins per Row: 02-40Pin

Contact Plating:

- G0=Gold Flash
- G3=10μ"Gold
- G4=15μ"Gold
- G5=30μ"Gold
- S0=Gold Flash/Tin
- S3=10μ"Gold/Tin
- S4=15μ"Gold/Tin
- S5=30μ"Gold/Tin
- SN=Tin
- SM=Matte Tin

Packing:

- T=Tube
- P=Tube+CAP
- R=Tape&Reel+CAP

Item	Pitch	Mating
Standard	2.00	1215/1220
Alternate		

Pin(Per Row)	2-15P	16-25P	26-40P
M	0.10	0.15	0.18

OPERATION	DRAW	DATE	SCALE	FIT	PART NO.
X.X ±0.40	XSX	2023/02/14	UNIT	mm	2243-1XXZXXCUNX1
X.XX ±0.25	CHECK	DATE	SIZE	A4	TITLE:
X.XXX ±0.15			SHEET	1/1	2.0mm Female Header SINGLE ROW 90°SMT H=4.3
Angle ± 3°	APPROVE	DATE	PROJ.		Customer NO.
DIM TOL					



Http: [www.wcon.com](http://www.wcon.com)

WCON-Dongguan Tel: +86 769 85358920 Fax: +86 769 85358915 E-mail: <a href="mailto:sales@wcon.com">sales@wcon.com</a>	WCON-Kunshan Tel: +86 512 57468408 Fax: +86 512 57468468 E-mail: <a href="mailto:salesks@wcon.com">salesks@wcon.com</a>
---	--

REV	DATE	MODIFICATION DESCRIPTION	CHANGE
A1	2023/02/14	Modify Flatness	-----
A0	2013/06/24	NEW	-----