

HSF

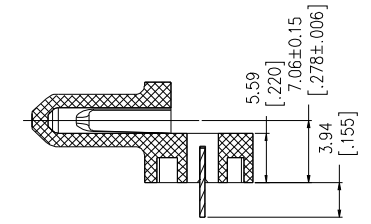
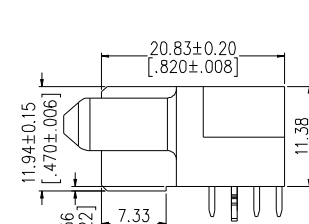
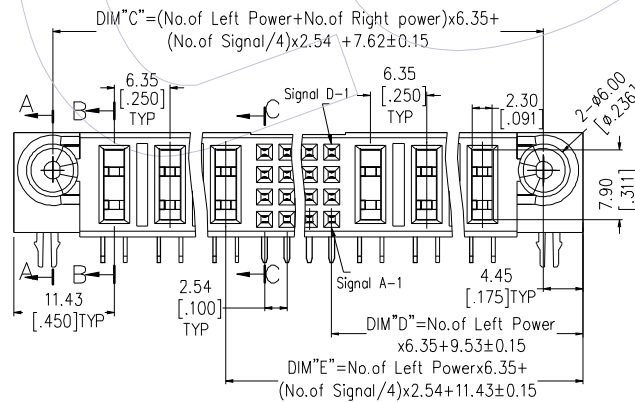
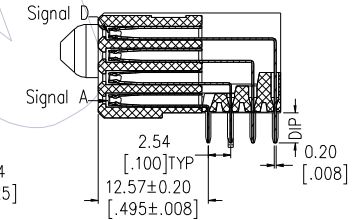
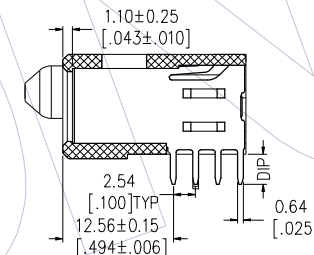
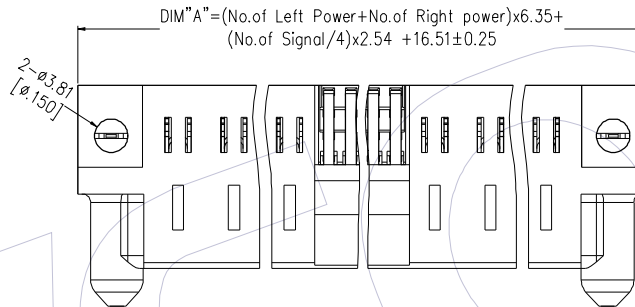
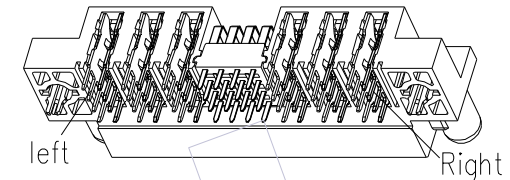
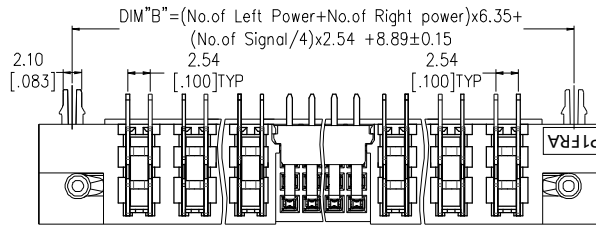
NOTES:

1. Insulator material: PA9T+33%G.F, UL94 V-0;
2. Terminal material: Copper Alloy;
Terminal Plating: Au/Sn Plated Over Nickel ;
3. Rated Voltage: Signal 50V; Power 600V
4. Rated Current: Power 40A Per Pin; Signal 2.5A;
5. Contact Resistance:
Power 0.7mΩ Max; Signal 20mΩ Max;
6. Insulation Resistance: DC500V
Power 10000MΩ Min; Signal 500MΩ Min;
7. Insulation Withstand Voltage:
Power 2500VAC/1min; Signal 1000VAC/1min ;
8. Durability :200 cycling;
9. Operation Temperature: -20°C to +105°C;

Ordering Information:

P1FR A - XX XX XX XX XX X X A 1

No. Left Power: 01=1Pin 20=20Pin	No. Right Power: 01=1Pin 20=20Pin	Tail Options(DIP Type): A=3.43mm B=2.29mm C=4.19mm	Packing: A=Tray
No. Signal: 04=4Pin 08=8Pin A0=100Pin A1=104Pin B3=148Pin	Power Contact Plated: S3=10u" Gold /Tin S4=15u" Gold /Tin S5=30u" Gold /Tin w3=10u" Gold /Matte Tin w4=15u" Gold /Matte Tin w5=30u" Gold /Matte Tin	Signal Contact Plated: S3=10u" Gold /Tin S4=15u" Gold /Tin S5=30u" Gold /Tin w3=10u" Gold /Matte Tin w4=15u" Gold /Matte Tin w5=30u" Gold /Matte Tin	Fixed Mode: M: W/T Lock N: W/O Lock



REV	DATE	MODIFICATION DESCRIPTION	CHANGE	OPERATION	DRAW	DATE	SCALE	FIT	PART NO.
A3	2019/04/15	Update surface	—	OPERATION	DRAW	2019/04/15	SCALE	FIT	P1FRA-XXXXXXXXXXA1
A2	2018/09/15	Add Product Data Sheet	—	x.x ±0.40	XSR		UNIT	mm	
A1	2018/08/30	MODIFY P/N	—	x.xx ±0.25	CHECK	DATE	SIZE	inch	TITLE:
A0	2018/07/30	NEW	—	x.xxx ±0.15	APPROVE	DATE	SHEET	A4	PSP Spacing A 90° DIP FEMALE (TYPE-1: Power+2.54Signal+Power)
				Angle ± 3°			PROJ.	1/5	Customer NO.
				DIM TOL					

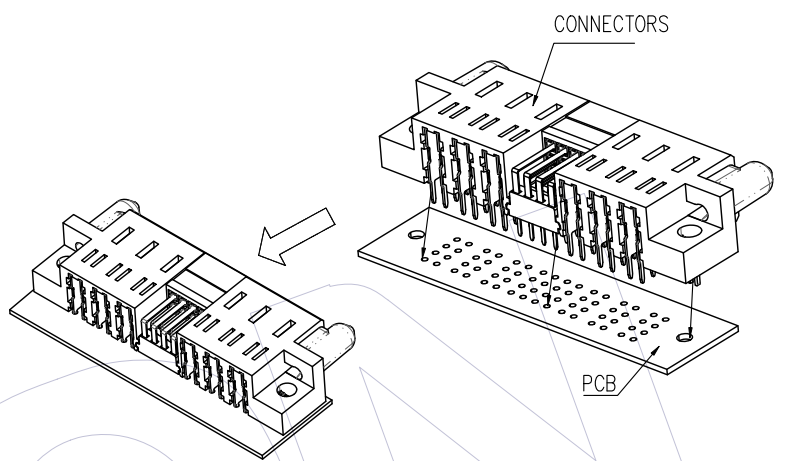
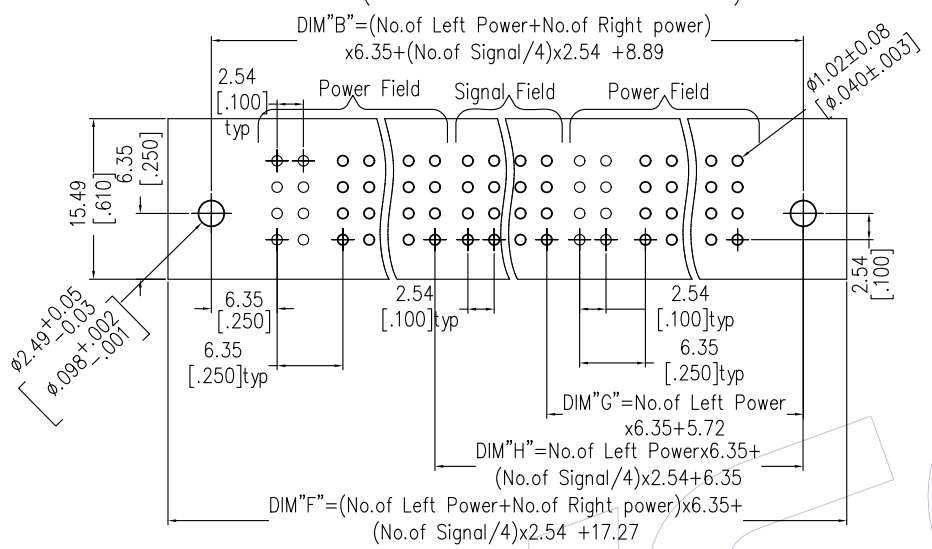
WCON

Http: www.wcon.com

WCON-Dongguan Tel: +86 769 85358920 Fax: +86 769 85358915 E-mail: sales@wcon.com	WCON-Kunshan Tel: +86 512 57468408 Fax: +86 512 57468468 E-mail: salesks@wcon.com
---	--

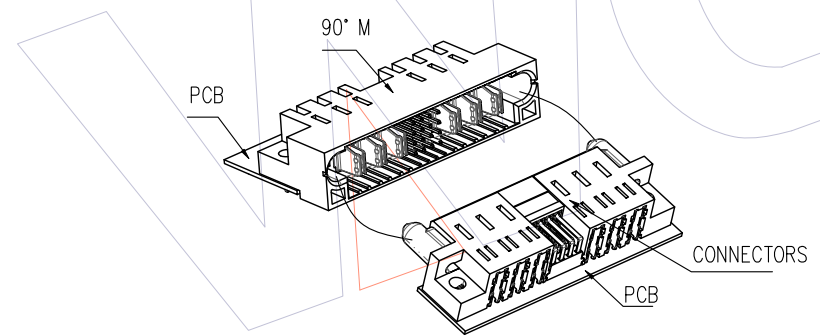
HSF

Recommended P.C.B Layout(Top Side)
(PCB BOARD TOLERANCE±0.05)

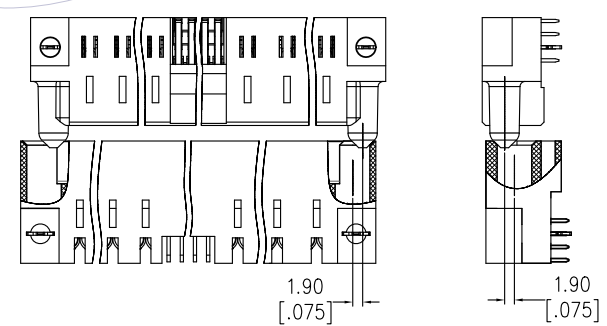


A3 PSP 90°DIP INSTALL CONNECTORS PCB

A3 Attempt to Match with 90° M



A3 Blind Mate Guide Ends
SCALE: 1:2



REV	DATE	MODIFICATION DESCRIPTION	CHANGE	OPERATION	DRAW	DATE	SCALE	FIT	PART NO.
A3	2019/04/15	Update surface	—	OPERATION	DRAW XSR	2019/04/15	UNIT	mm	P1FRA-XXXXXXXXXXA1 A3
A2	2018/09/15	Add Product Data Sheet	—	x.x ±0.40		DATE	SIZE	inch	
A1	2018/08/30	MODIFY P/N	—	x.xx ±0.25		CHECK	SHEET	A4	TITLE: PSP Spacing A 90° DIP FEMALE A3 (TYPE-1:Power+2.54Signal+Power)
A0	2018/07/30	NEW	—	x.xxx ±0.15	APPROVE	DATE	PROJ.	2/5	Customer NO.
REV	DATE	MODIFICATION DESCRIPTION	CHANGE	Angle DIM	± 3° TOL	DATE			

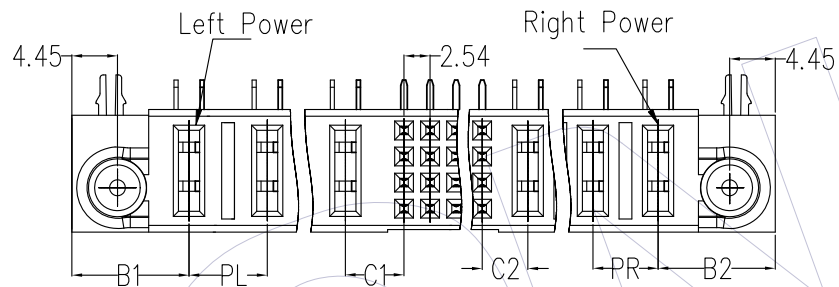
WCON
Http: www.wcon.com

WCON-Dongguan
Tel: +86 769 85358920
Fax: +86 769 85358915
E-mail: sales@wcon.com

WCON-Kunshan
Tel: +86 512 57468408
Fax: +86 512 57468468
E-mail: sales@wcon.com

HSF

△ Schematic diagram of terminal spacing



Ordering Information:

P1 FR A -XX XX XX XX XX X X A 1

See table "Spec code"

△ A3

Spec code	Terminal spacing size					
	B1	PL	C1	C2	PR	B2
A	11.43	6.35	4.45	4.45	6.35	11.43
B	11.43	6.35	4.45	5.72	6.35	11.43
C	11.43	6.35	4.45	4.45	7.62	12.07
D	12.07	7.62	5.08	5.08	7.62	12.07
E	12.07	7.62	5.08	4.45	6.35	11.43
F	11.43	7.62	5.72	4.45	6.35	11.43

REV	DATE	MODIFICATION DESCRIPTION	CHANGE	OPERATION	DRAW	DATE	SCALE	FIT	PART NO.
A3	2019/04/15	Update surface	—	OPERATION	DRAW	2019/04/15	SCALE	FIT	P1FRA-XXXXXXXXXXA1 △ A3
A2	2018/09/15	Add Product Data Sheet	—	x.X ±0.40	XSR		UNIT	mm	
A1	2018/08/30	MODIFY P/N	—	x.XX ±0.25	CHECK	DATE	SIZE	inch	TITLE:
A0	2018/07/30	NEW	—	x.XXX ±0.15	APPROVE	DATE	SHEET	3/5	PSP Spacing A 90° DIP FEMALE △ A3 (TYPE-1:Power+2.54Signal+Power)
				Angle ± 3°			PROJ.	Customer NO.	
				DIM TOL					

WCON

Http: www.wcon.com

WCON-Dongguan Tel: +86 769 85358920
WCON-Kunshan Tel: +86 512 57468408
Fax: +86 769 85358915 Fax: +86 512 57468468
E-mail: sales@wcon.com E-mail: sales@wcon.com



Product Data Sheet

Main data table with 24 columns: No., P/N, No. Left Power, No. Signal, No. Right Power, DIM "A" through "H", No., P/N, No. Left Power, No. Signal, No. Right Power, DIM "A" through "H". Contains 60 rows of product specifications.

Revision and specification table with 12 columns: A3, A2, A1, A0, REV, DATE, MODIFICATION DESCRIPTION, CHANGE, OPERATION, DRAW XSR, CHECK, APPROVE, DATE, SCALE, FIT, PART NO., UNIT, SIZE, SHEET, PROJ., TITLE, CUSTOMER NO., WCON logo and contact info.

HSF

Product Data Sheet

No.	P/N	No. Left Power	No. Signal	No. Right Power	DIM "A"	DIM "B"	DIM "C"	DIM "D"	DIM "E"	DIM "F"	DIM "G"	DIM "H"
61	P1FRA-023606XXXXXXA1	2	36	6	90.17	82.55	81.28	22.23	46.99	90.93	18.42	41.91
62	P1FRA-023206XXXXXXA1	2	32	6	87.63	80.01	78.74	22.23	44.45	88.39	18.42	39.37
63	P1FRA-023202XXXXXXA1	2	32	2	62.23	54.61	53.34	22.23	44.45	62.99	18.42	39.37
64	P1FRA-022814XXXXXXA1	2	28	14	135.89	128.27	127.00	22.23	41.91	136.65	18.42	36.83
65	P1FRA-022802XXXXXXA1	2	28	2	59.69	52.07	50.80	22.23	41.91	60.45	18.42	36.83
66	P1FRA-022404XXXXXXA1	2	24	4	69.85	62.23	60.96	22.23	39.37	70.61	18.42	34.29
67	P1FRA-022402XXXXXXA1	2	24	2	57.15	49.53	48.26	22.23	39.37	57.91	18.42	34.29
68	P1FRA-022002XXXXXXA1	2	20	2	54.61	46.99	45.72	22.23	36.83	55.37	18.42	31.75
69	P1FRA-021604XXXXXXA1	2	16	4	64.77	57.15	55.88	22.23	34.29	65.53	18.42	29.21
70	P1FRA-021602XXXXXXA1	2	16	2	52.07	44.45	43.18	22.23	34.29	52.83	18.42	29.21
71	P1FRA-021202XXXXXXA1	2	12	2	49.53	41.91	40.64	22.23	31.75	50.29	18.42	26.67
72	P1FRA-020802XXXXXXA1	2	8	2	46.99	39.37	38.10	22.23	29.21	47.75	18.42	24.13
73	P1FRA-020801XXXXXXA1	2	8	1	40.64	33.02	31.75	22.23	29.21	41.40	18.42	24.13
74	P1FRA-020402XXXXXXA1	2	4	2	44.45	36.83	35.56	22.23	26.67	45.21	18.42	21.59
75	P1FRA-01B301XXXXXXA1	1	148	1	123.19	115.57	114.30	15.88	111.76	123.95	12.07	106.68
76	P1FRA-017201XXXXXXA1	1	72	1	74.93	67.31	66.04	15.88	63.50	75.69	12.07	58.42
77	P1FRA-016402XXXXXXA1	1	64	2	76.20	68.58	67.31	15.88	58.42	76.96	12.07	53.34
78	P1FRA-016001XXXXXXA1	1	60	1	67.31	59.69	58.42	15.88	55.88	68.07	12.07	50.80
79	P1FRA-014801XXXXXXA1	1	48	1	59.69	52.07	50.80	15.88	48.26	60.45	12.07	43.18
80	P1FRA-014401XXXXXXA1	1	44	1	57.15	49.53	48.26	15.88	45.72	57.91	12.07	40.64
81	P1FRA-014002XXXXXXA1	1	40	2	60.96	53.34	52.07	15.88	43.18	61.72	12.07	38.10
82	P1FRA-014001XXXXXXA1	1	40	1	54.61	46.99	45.72	15.88	43.18	55.37	12.07	38.10
83	P1FRA-013201XXXXXXA1	1	32	1	49.53	41.91	40.64	15.88	38.10	50.29	12.07	33.02
84	P1FRA-012401XXXXXXA1	1	24	1	44.45	36.83	35.56	15.88	33.02	45.21	12.07	27.94
85	P1FRA-011601XXXXXXA1	1	16	1	39.37	31.75	30.48	15.88	27.94	40.13	12.07	22.86
86	P1FRA-011201XXXXXXA1	1	12	1	36.83	29.21	27.94	15.88	25.40	37.59	12.07	20.32
87	P1FRA-010801XXXXXXA1	1	8	1	34.29	26.67	25.40	15.88	22.86	35.05	12.07	17.78
88	P1FRA-010401XXXXXXA1	1	4	1	31.75	24.13	22.86	15.88	20.32	32.51	12.07	15.24

A3	2019/04/15	Update surface	—	OPERATION	DRAW XSR	DATE 2019/04/15	SCALE	FIT mm inch	PART NO. P1FRA-XXXXXXXXXXA1
A2	2018/09/15	Add Product Data Sheet	—	x.x ±0.40					
A1	2018/08/30	MODIFY P/N	—	x.xx ±0.25	APPROVE	DATE	SHEET 5/5	Customer NO.	WCON-Dongguan WCON-Kunshan
A0	2018/07/30	NEW	—	x.xxx ±0.15					
REV	DATE	MODIFICATION DESCRIPTION	CHANGE				PROJ.		

WCON

Http: www.wcon.com

WCON-Dongguan WCON-Kunshan
 Tel: +86 769 85358920 Tel: +86 512 57468408
 Fax: +86 769 85358915 Fax: +86 512 57468468
 E-mail: sales@wcon.com E-mail: sales@wcon.com