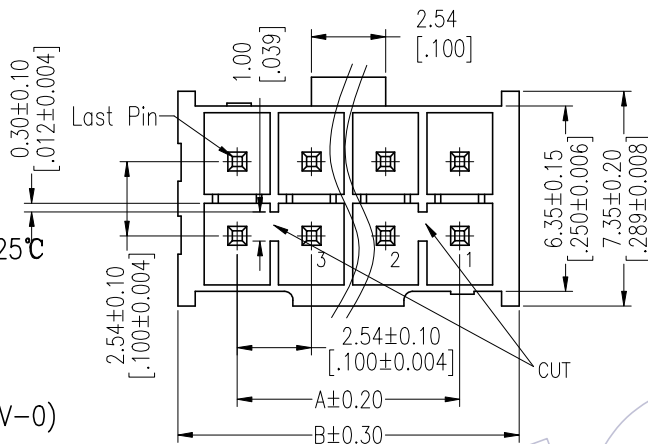


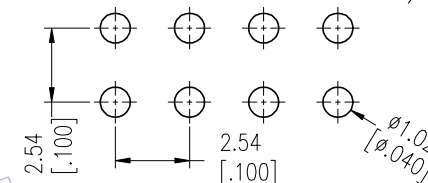
# HSF

NOTES:  
 Rated Current:3.0AMP  
 Contact Resistance:20mΩ max  
 Withstand Voltage:1000V AC/DC  
 Insulation Resistance:1000MΩ min  
 Operation Temperature:-55℃ to +125℃

Contact Material:Brass  
 Contact plating:Au Or Sn Over Ni  
 Insulator Material:LCP+30%G.F (UL94V-0)



Recommended P.C.B Layout(Top Side)  
 (PCB BOARD TOLERANCE±0.05)

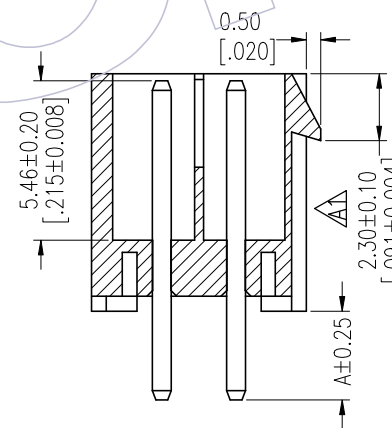
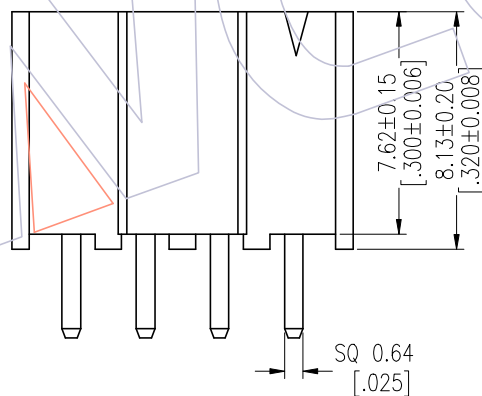


Circuit	Part No.	Dimension			
		A	B		
2x02	WF2549A-2WS02X01	2.54	6.60		
2x03	WF2549A-2WS03X01	5.08	9.14		
2x04	WF2549A-2WS04X01	7.62	11.68		
2x05	WF2549A-2WS05X01	10.16	14.22		
2x06	WF2549A-2WS06X01	12.70	16.76		
2x07	WF2549A-2WS07X01	15.24	19.30		
2x08	WF2549A-2WS08X01	17.78	21.84		
2x09	WF2549A-2WS09X01	20.32	24.38		
2x10	WF2549A-2WS10X01	22.86	26.92		
2x11	WF2549A-2WS11X01	25.40	29.46		
2x12	WF2549A-2WS12X01	27.94	32.00		
2x13	WF2549A-2WS13X01	30.48	34.54		
2x14	WF2549A-2WS14X01	33.02	37.08		
2x15	WF2549A-2WS15X01	35.56	39.62		
2x16	WF2549A-2WS16X01	38.10	42.16		
2x17	WF2549A-2WS17X01	40.64	44.70		
2x18	WF2549A-2WS18X01	43.18	47.24		
2x19	WF2549A-2WS19X01	45.72	49.78		
2x20	WF2549A-2WS20X01	48.26	52.32		
2x21	WF2549A-2WS21X01	50.80	54.86		
2x22	WF2549A-2WS22X01	53.34	57.40		
ITEM	A	2x23	WF2549A-2WS23X01	55.88	59.94
Standard	3.05	2x24	WF2549A-2WS24X01	58.42	62.48
Alternate		2x25	WF2549A-2WS25X01	60.96	65.02

## Ordering Information

WF2549A -2 WS XX X 0 1

No. of Row  
 No. of pins 02-25P  
 Contact Plating  
 S0=Gold Flash/Tin  
 S3=10u"Gold/Tin  
 S4=15u"Gold/Tin  
 S5=30u"Gold/Tin  
 G0=Gold Flash  
 G3=10u"Gold  
 G4=15u"Gold  
 G5=30u"Gold  
 Blank=Tin  
 Color  
 B=Black  
 E=Beige  
 W=White  
 T=Natural  
 Packing  
 0=PE Bag  
 T=Tube



REV	DATE	MODIFICATION DESCRIPTION	CHANGE	OPERATION		DRAW Tang	DATE 2016/07/26	SCALE UNIT	FIT mm inch	PART NO. SEE TAB
				x.X	±0.40					
A1	2016/07/26	MODIFY DRAWING		x.XX	±0.25	CHECK	DATE	SIZE	A4	TITLE: 2.54mm WAFER 180° DIP WITH CUT
AO	2012/11/06	NEW		x.XXX	±0.15	APPROVE	DATE	SHEET	1/1	Customer NO.
				Angle	± 3'			PROJ.		
				DIM	TOL					

# WCON

Http: www.wcon.com

WCON-Dongguan  
 Tel: +86 769 85358920  
 Fax: +86 769 85358915  
 E-mail: sales@wcon.com

WCON-Kunshan  
 Tel: +86 512 57468408  
 Fax: +86 512 57468468  
 E-mail: sales@wcon.com