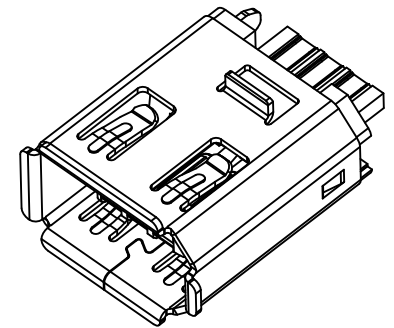
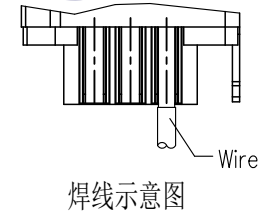
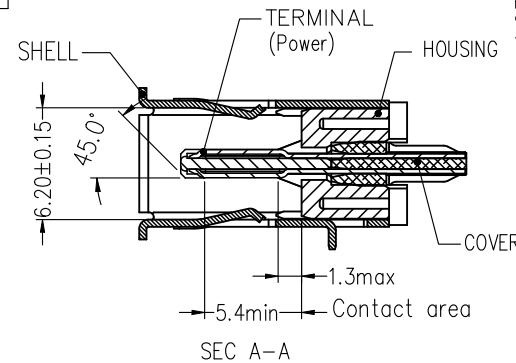
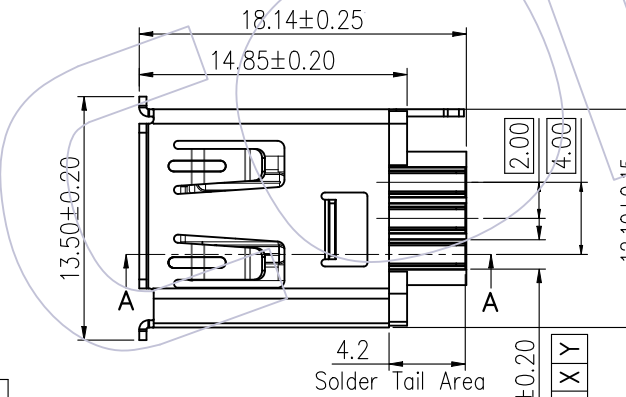
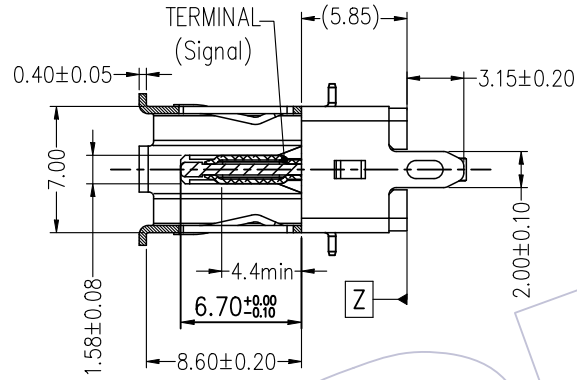
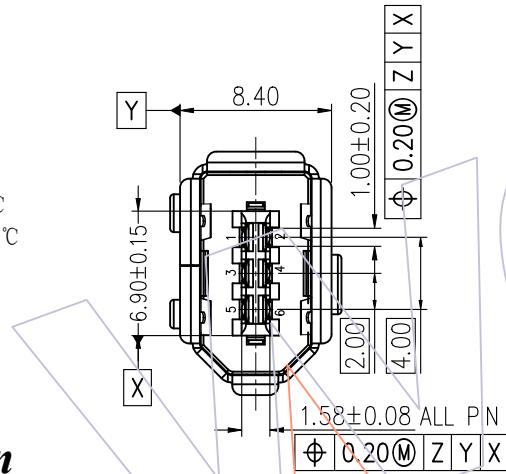


HSF

NOTES:

1. Material:
 - Housing/Cover: PBT UL94V-0 BK
 - Terminal/Shell: Copper Alloy
2. Terminal Plating:
 - XXu" Gold on Contact Area (see ordering information)
 - 80u" Min. Sn on Solder Tails area
 - 50u" Ni underplating overall
4. Specification:
 - 4.1 Rating
 - Rated Current: 1.0A
 - 4.2 Electrical
 - Contact Resistance: 30mΩ max
 - Withstand Voltage: 500V AC
 - Insulation Resistance: 100MΩ min
5. Operation Temperature: -40°C to +85°C
6. Soldering: Solder temperature: 245+/-3°C
Solder time: 3-5 S
7. Wire Accommodation: 18AWG Max.



Ordering Information

B6131-06 M S0 A B A 1
 PIN 06=6PIN
 TYP M=Male
 Terminal Plating S0=Gold Flash/Tin
 Wcon Internal Code
 Package A=Tray
 Insulator Color B=Black
 Plastic Material A=PBT

| REV | DATE | MODIFICATION DESCRIPTION | CHANGE | OPERATION | DRAW | DATE | SCALE | FIT | PART NO. |
|-----|------------|--------------------------|--------|-------------|---------|------------|-----------|-----|---|
| A0 | 2020/11/02 | NEW | ----- | x.x ±0.40 | Morris | 2020/11/02 | UNIT mm | | B6131-06MS0ABA1 |
| | | | | x.xx ±0.25 | CHECK | DATE | SIZE A4 | | TITLE: 2.0mm SIC Connector Male Solder Assembly Type 6P |
| | | | | x.xxx ±0.15 | APPROVE | DATE | SHEET 1/1 | | Customer NO. |
| | | | | Angle ± 3° | | | PROJ. | | |
| | | | | DIM TOL | | | | | |

WCON

Http: www.wcon.com

WCON-Dongguan Tel: +86 769 85358920
 WCON-Kunshan Tel: +86 512 57468408
 Fax: +86 769 85358915
 Fax: +86 512 57468468
 E-mail: sales@wcon.com
 E-mail: salesks@wcon.com