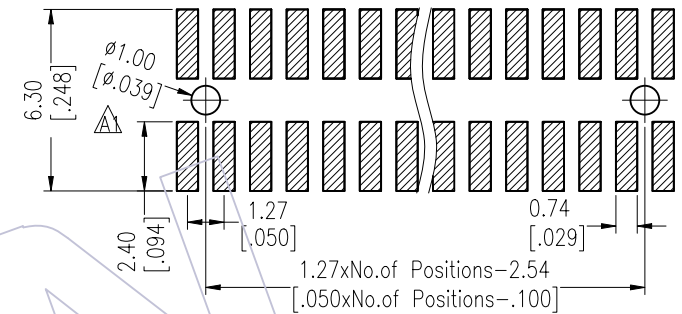
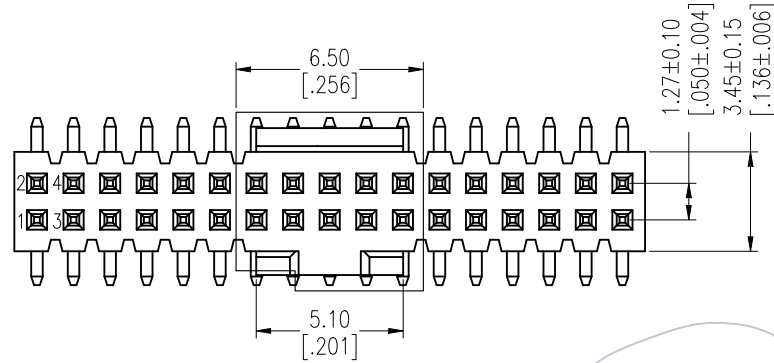


# HSF

NOTES:  
 Rated Current:1.0AMP  
 Contact Resistance:20mΩ max  
 Withstand Voltage:500V AC/DC  
 Insulation Resistance:1000MΩ min  
 Operation Temperature:-40°C to +105°C

Contact Material:Brass  
 Contact Plating:Au or Sn Over Ni  
 Insulator Material:LCP+30%G.F UL94V-0

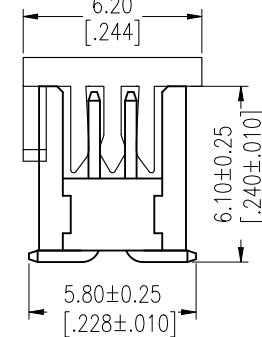
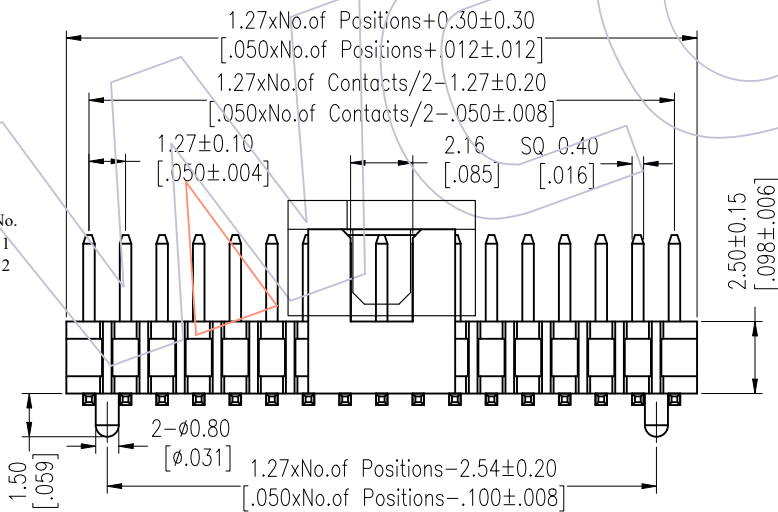
Recommended P.C.B Layout(Top Side)  
 (PCB BOARD TOLERANCE±0.05)



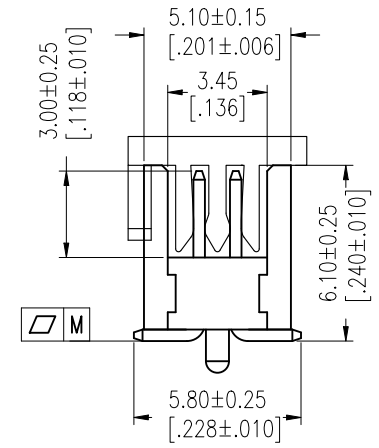
## Ordering Information

### 3132-XX M XX B K00 XX

No.of Pins	Contact Plating	Color Insulator	Packing	Series No.
10 34	G0=Gold Flash	B=Black	T=Tube	1=Type 1
14 40	G3=10u"Gold	W=White	P=Tube+CAP	2=Type 2
16 44	G4=15u"Gold		R=Tape&Reel+CAP	
20 50	G5=30u"Gold			
24 60	S0=Gold Flash/Tin			
26 64	S3=10u"Gold/Tin			
30 80	S4=15u"Gold/Tin			
32 100	S5=30u"Gold/Tin			
	SN=Tin			



Type 1:W/O Post



Type 2:With Post

Item	Pitch	Mating
Standard	1.27	5232
Alternate		

PIN(PerRow)	10-20P	24-40P	44-100P
	M	0.10	0.12

REV	DATE	MODIFICATION DESCRIPTION	CHANGE	OPERATION	DRAW	DATE	SCALE	FIT	PART NO.
A2	2023/02/16	Add Flatness	DuYing	x.X ±0.40	DuYing	2023/02/16	UNIT mm		3132-XXMXXBK00XX
A1	2021/09/04	Modify PCB: ∅1.20 → ∅1.00	JYHuang	x.XX ±0.25	CHECK	DATE	SIZE A4		TITLE:
A0	2012/09/18	NEW	-----	x.XXX ±0.15	APPROVE	DATE	SHEET 1/1		1.27mm BOX SMT "S" TYPE H=6.10
				Angle ± 3°			PROJ.		Customer NO.
				DIM TOL					

# WCON

Http: www.wcon.com

WCON-Dongguan Tel: +86 769 85358920 Fax: +86 769 85358915 E-mail: sales@wcon.com  
 WCON-Kunshan Tel: +86 512 57468408 Fax: +86 512 57468468 E-mail: salesks@wcon.com