

HSF

NOTES:
 Current Rating: 3.0AMP
 Contact Resistance: 20mΩ Max
 Withstand Voltage: 1000V AC/DC $\triangle A2$
 Insulation Resistance: 1000MΩ Min
 Operation Temperature: -40°C to +105°C

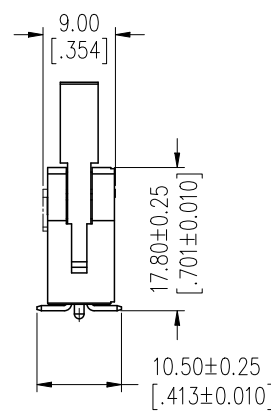
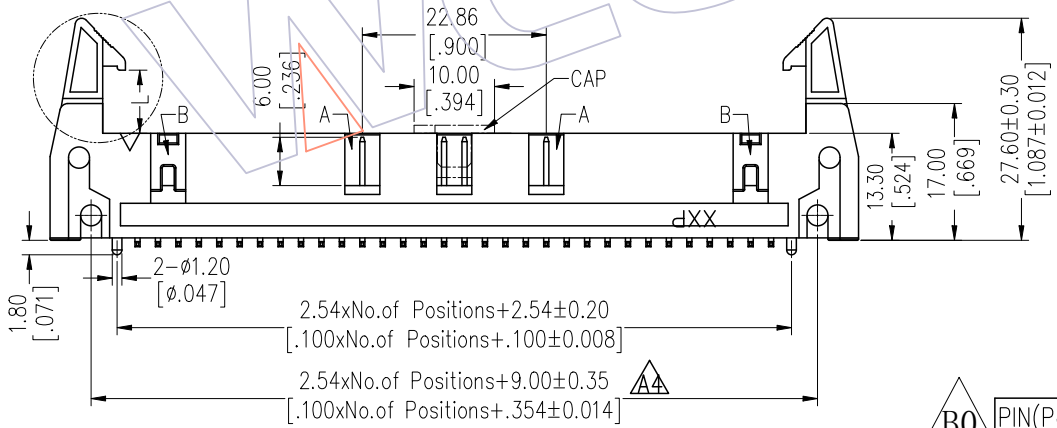
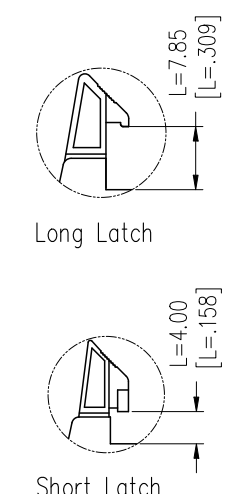
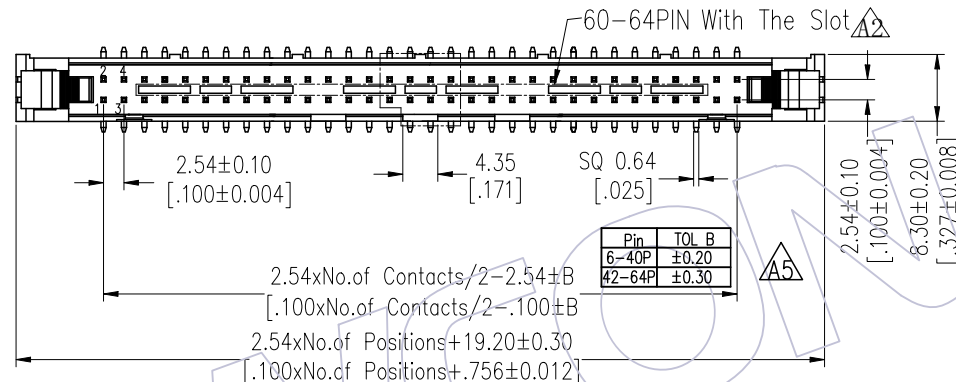
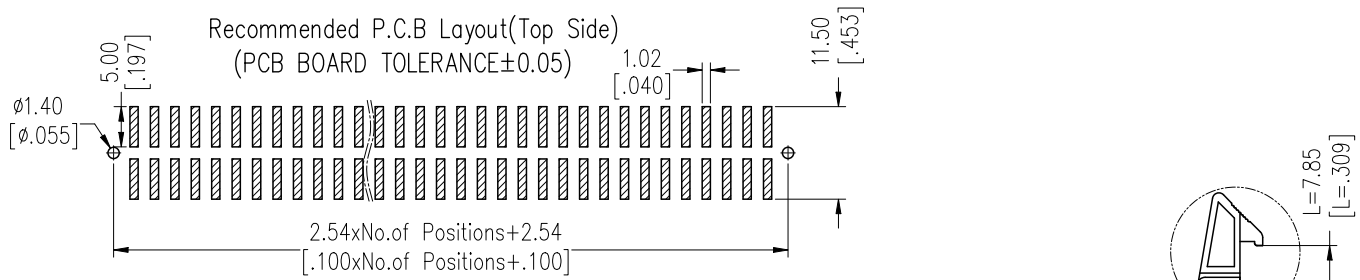
Contact Material: Brass $\triangle A1$
 Contact plating: Au Or Sn over Ni
 Insulator Material: PA9T+30%G.F UL94V-0

06P-18P Without Slot "A" and "B"
 20P-58P Without Slot "A", With Slot "B"
 60P-64P With Slot "A" and "B"

Ordering Information

3210-XX M XX B X X 2

No. of Pins	Contact Plating	Insulator Color	Latch Type	Packing
06 24	G0=Gold Flash	B=Black	L=Long Latch	A=Tray
08 26	G3=10u"Gold		S=Short Latch	T=Tube
10 30	G4=15u"Gold		N=Without Latch	P=Tube+CAP
12 34	G5=30u"Gold			
14 40	S0=Gold Flash/Tin			
16 50	S3=10u"Gold/Tin			
18 60	S4=15u"Gold/Tin			
20 64	S5=30u"Gold/Tin			
	SN=Tin			



Item	Pitch	Mating
Standard	2.54	5211
Alternate		

B0	PIN(PerRow)	6-20P	24-40P	50-64P
	M	0.10	0.12	0.15

REV	DATE	MODIFICATION DESCRIPTION	CHANGE	DIM	TOL	APPROVE	DATE	SCALE	FIT	PART NO.	CUSTOMER NO.
B0	2023/02/17	Add Flatness	$\triangle B0$	Du Ying	OPERATION	Du Ying	2023/02/17	UNIT	mm	3210-XXMXXBXX2	
A5	2022/01/12	MODIFY: 2.54XNo. of Contacts/2-2.54±B	$\triangle A5$	Du Ying	x.X ±0.40	Du Ying		SIZE	A4	TITLE:	
A4	2019/01/04	MODIFY	$\triangle A4$	Ding	x.XX ±0.25	CHECK		SHEET	1/1	2.54 EJECTOR HEADER SMT	
A0	2012/10/08	NEW			x.XXX ±0.15			PROJ.		WITH POST	
					Angle ± 3°	APPROVE					

WCON
 Http: www.wcon.com

WCON-Dongguan WCON-Kunshan
 Tel: +86 769 85358920 Tel: +86 512 57468408
 Fax: +86 769 85358915 Fax: +86 512 57468468
 E-mail: sales@wcon.com E-mail: salesks@wcon.com