

HSF

NOTES:
 Current Rating: 3.0AMP
 Contact Resistance: 20mΩ Max
 Withstand Voltage: 1000V AC/DC $\triangle A_2$
 Insulation Resistance: 1000MΩ Min
 Operation Temperature: -40°C to +105°C

Contact Material: Brass $\triangle A_1$
 Contact plating: Au Or Sn over Ni
 Insulator Material: PBT Or PA9T+G.F UL94V-0

06P-18P Without Slot "A" and "B"
 20P-58P Without Slot "A", With Slot "B"
 60P-64P With Slot "A" and "B"

Ordering Information

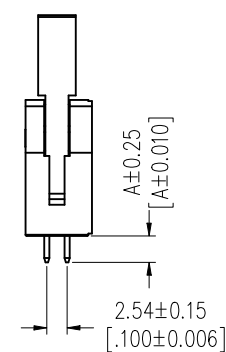
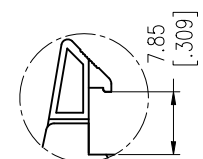
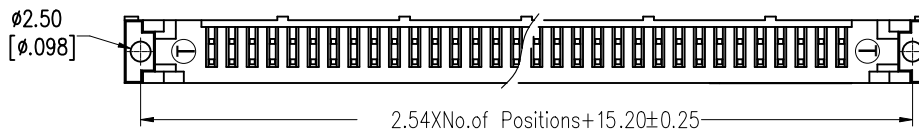
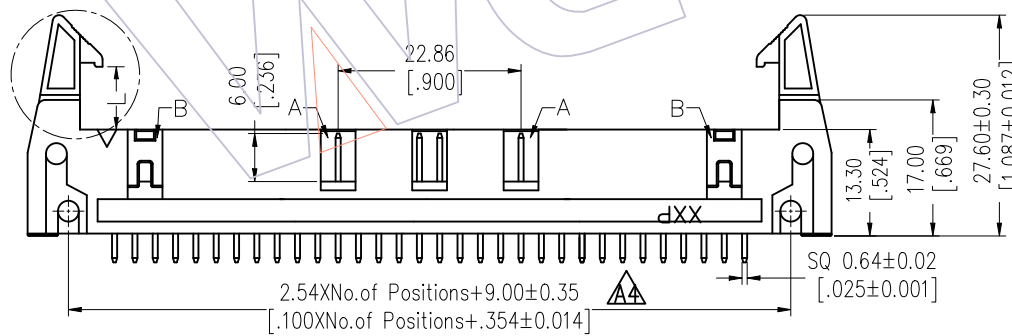
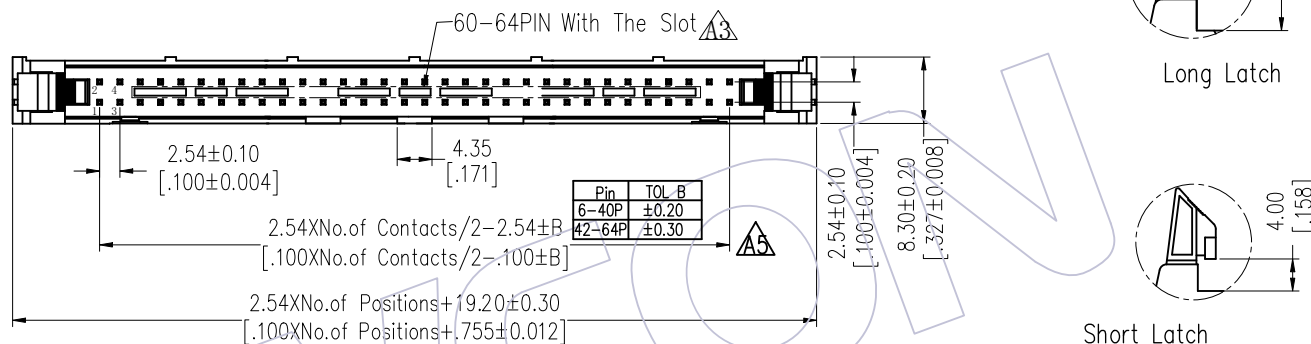
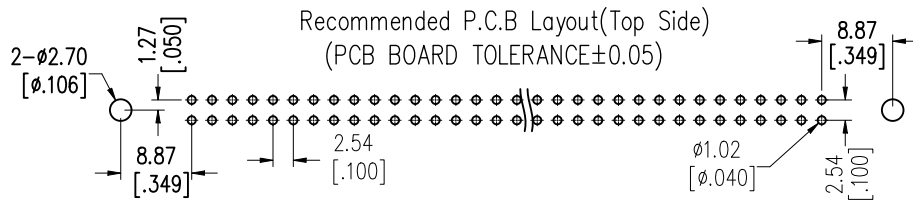
3210 - XX S XX X X X 1

No. of Pins	Contact Plating	Insulator Color	Latch Type	Packing
06 24	G0=Gold Flash	B=Black	L=Long Latch	A=Tray
08 26	G3=10u"Gold	G=Grey(427C)	S=Short Latch	T=Tube
10 30	G4=15u"Gold		N=Without Latch	
12 34	G5=30u"Gold			
14 40	S0=Gold Flash/Tin			
16 50	S3=10u"Gold/Tin			
18 60	S4=15u"Gold/Tin			
20 64	S5=30u"Gold/Tin			
	SN=Tin			

	Pin Length	DIM.A
Standard	16.0	3.30
Alternate	17.3	4.50
	---	---

Item	Pitch	Mating
Standard	2.54	5211
Alternate		

REV	DATE	MODIFICATION DESCRIPTION	CHANGE	OPERATION	DRAW	DATE	SCALE	FIT	PART NO.
A5	2022/01/03	MODIFY: 2.54XNo. of Contacts/2-2.54±B	$\triangle A_5$	Tang	OPERATION	DATE	SCALE	FIT	3210-XXSXXXXX1
A4	2019/01/04	MODIFY	$\triangle A_4$	-----	x.X ±0.40	2022/01/03	UNIT	mm	TITLE:
A3	2014/12/03	MODIFY	$\triangle A_3$	-----	x.XX ±0.25	DATE	SIZE	A4	2.54 EJECTOR HEADER 180° DIP
A0	2012/12/06	NEW	-----	-----	x.XXX ±0.15	DATE	SHEET	1/1	Customer NO.
				Angle ± 3°	APPROVE	DATE	PROJ.		
				DIM TOL					



WCON

Http: www.wcon.com

WCON-Dongguan Tel: +86 769 85358920 Fax: +86 769 85358915 E-mail: sales@wcon.com
 WCON-Kunshan Tel: +86 512 57468408 Fax: +86 512 57468468 E-mail: salesks@wcon.com