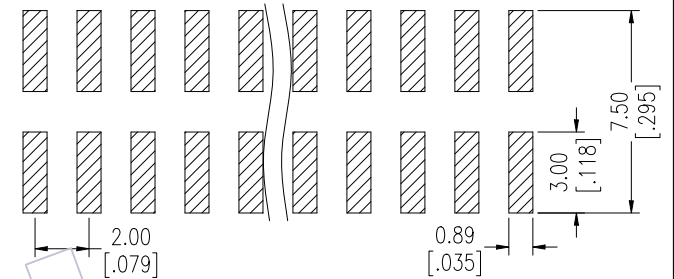
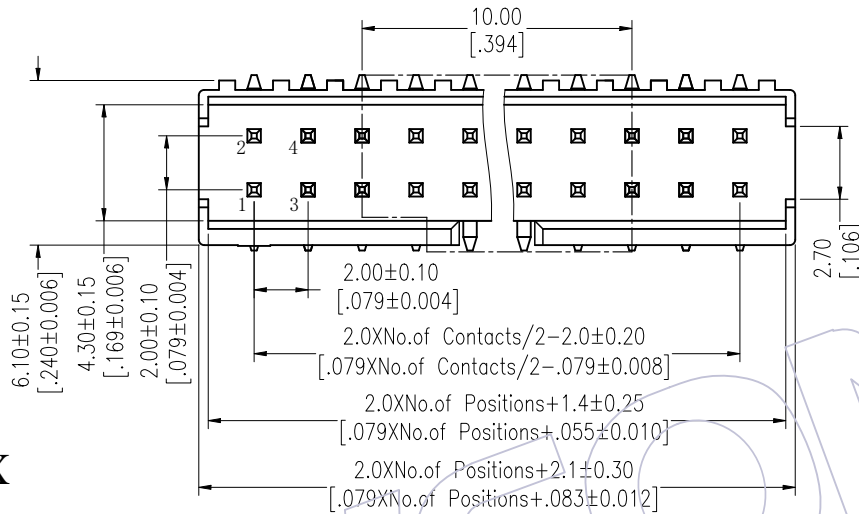


# HSF

NOTES:  
 Current Rating: 2.0AMP  
 Contact Resistance: 20mΩ Max  
 Withstand Voltage: 500V AC/DC  
 Insulation Resistance: 1000MΩ Min  
 Operation Temperature: -40°C to +105°C

Contact Material: Brass  
 Contact plating: Au Or Sn over Ni  
 Insulator Material: PA9T+33%G.F UL94V-0

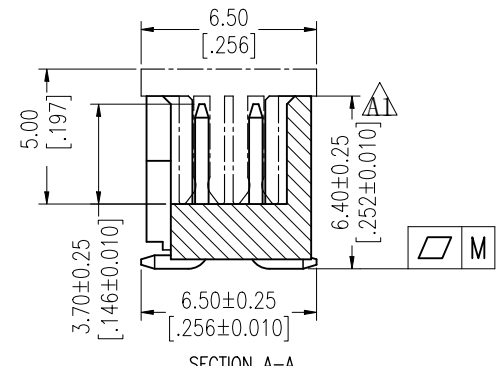
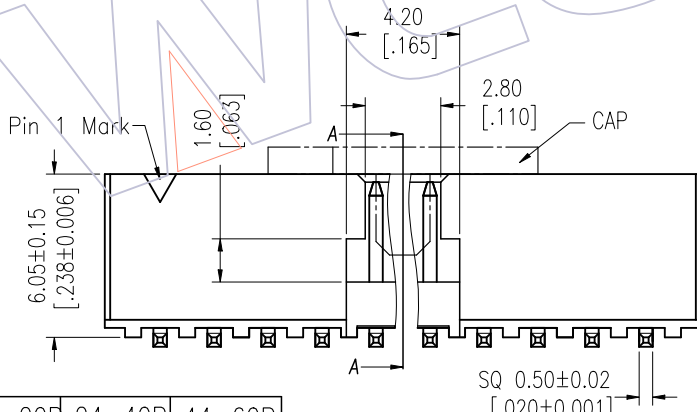
Recommended P.C.B Layout (Top Side)  
 (PCB BOARD TOLERANCE ±0.05)



## Ordering Information

3122-XX M XX B K00 X X

No. of Pins	Contact Plating	Color Insulator	Packing
10 30	G0=Gold Flash	B=Black	T=Tube
14 34	G3=10u"Gold		P=Tube+CAP
16 40	G4=15u"Gold		R=Tape&Reel+CAP
20 44	G5=30u"Gold		
24 50	S0=Gold Flash/Tin		
26 60	S3=10u"Gold/Tin		
	S4=15u"Gold/Tin		
	S5=30u"Gold/Tin		
	SN=Tin		



Item	Pitch	Mating
Standard	2.00	5224
Alternate		

A3	PIN	10-20P	24-40P	44-60P
	M	0.10	0.12	0.15

REV	DATE	MODIFICATION DESCRIPTION	CHANGE	OPERATION	DRAW	DATE	SCALE	FIT	PART NO.
A4	2023/06/13	Modify PART NO	A4	DuYing	OPERATION	2023/06/13	UNIT	mm	3122-XXMXXBK00XX
A3	2023/02/16	Add Flatness	A3	DuYing	CHECK		SIZE	A4	
A2	2020/06/16	Modify	A2	DuYing	CHECK		SHEET	1/1	TITLE: 2.00 BOX HEADER SMT H=6.10 "F" TYPE L=7.8/6.5(0.1)/3.7
A0	2012/09/22	NEW			APPROVE		PROJ.		
				Angle	DATE				Customer NO.
				DIM	TOL				

# WCON

Http: www.wcon.com

WCON-Dongguan Tel: +86 769 85358920  
 WCON-Kunshan Tel: +86 512 57468408  
 Fax: +86 769 85358915  
 Fax: +86 512 57468468  
 E-mail: sales@wcon.com  
 E-mail: salesks@wcon.com