

# HSF

**NOTES:**

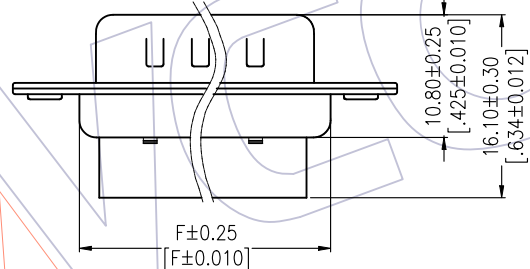
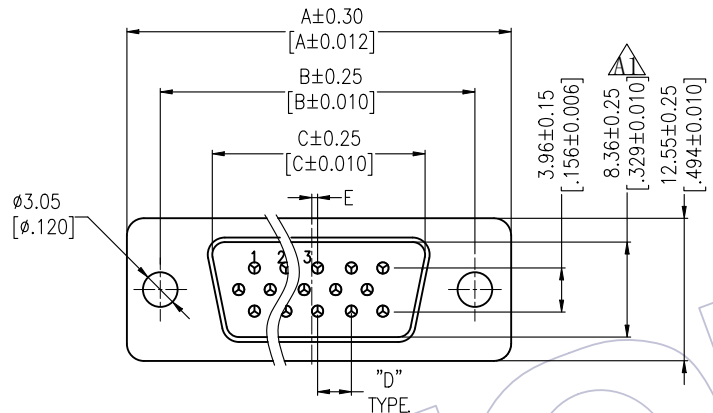
Withstand Voltage: 500V AC/Minute  
 Insulation Resistance: 1000MΩ Min  
 Operation Temperature: -55°C to +105°C

Insulator Material: PBT+30%G.F UL94V-0  
 Shell: Cold Roller Steel, Sn Or Ni Plated  
 Nut: Brass, Sn over Ni Plated

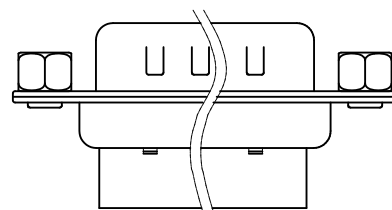
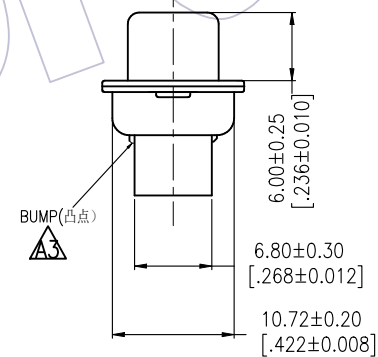
## Ordering Information

6211-XX M X 00 X 01

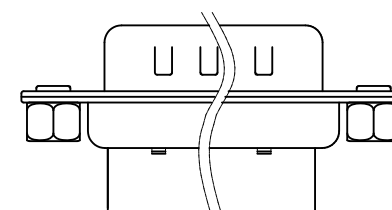
No. of Pins: 15, 26, 44, 62P  
 Type: B=With Back Nut, F=With Front Nut, N=Without Nut  
 Insulator Color: B:Black, U:Blue



6211-XXMN00X01



6211-XXMF00X01



6211-XXMB00X01

No. of Positions	DIM "A"	DIM "B"	DIM "C"	DIM "D"	DIM "E"	DIM "F"
15	30.81	24.99	16.92	2.29	0.25	19.10
26	39.14	33.32	25.25	2.29	0.51	27.75
44	53.04	47.04	38.96	2.29	0.51	41.30
62	69.32	63.50	55.42	2.41	0.58	57.40

REV	DATE	MODIFICATION DESCRIPTION	CHANGE	OPERATION	DRAW DUAN	DATE	SCALE	FIT	PART NO.
A3	2020/06/12	ADD Bump	△	X.X ±0.40	DUAN	2020/08/18	UNIT	mm	6211-XXMX00X01△
A2	2014/05/28	Modify 6211-XXMXXXB01 to 6211-XXMX00X01	△	X.XX ±0.25	CHECK	DATE	SIZE	A4	TITLE: D-SUB MALE THREE ROW CRIMP TYPE
A1	2013/04/10	Modify the Dimension 9.36 To 8.36	△	X.XXX ±0.15	APPROVE	DATE	SHEET	1/1	Customer NO.
A0	2012/12/03	NEW	-----	Angle ± 3'			PROJ.		
				DIM TOL					

# WCON

Http: www.wcon.com

WCON-Dongguan Tel: +86 769 85358920  
 WCON-Kunshan Tel: +86 512 57468408  
 Fax: +86 769 85358915  
 Fax: +86 512 57468468  
 E-mail: sales@wcon.com  
 E-mail: salesks@wcon.com