

HSF

Recommended P.C.B Layout (Top Side)
(PCB BOARD TOLERANCE ±0.05)

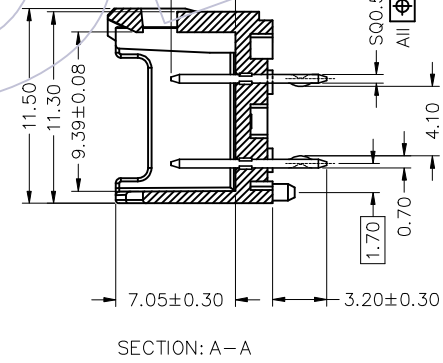
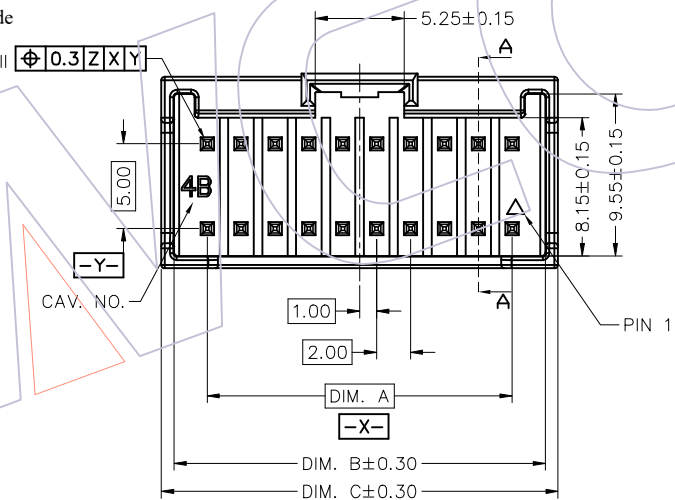
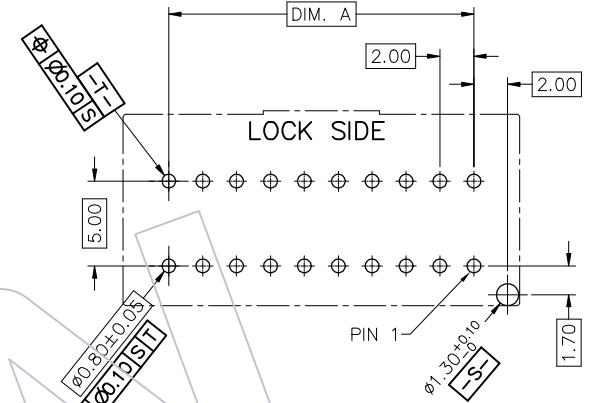
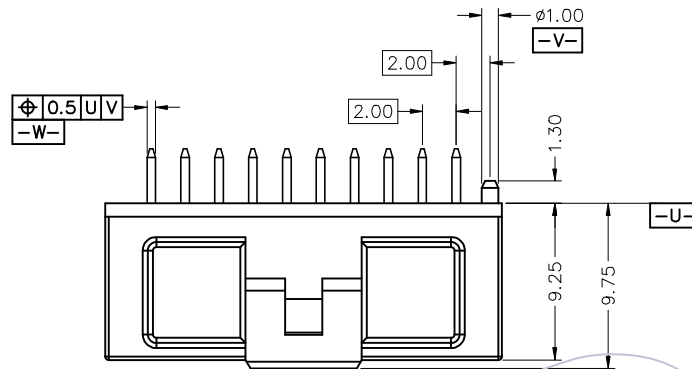
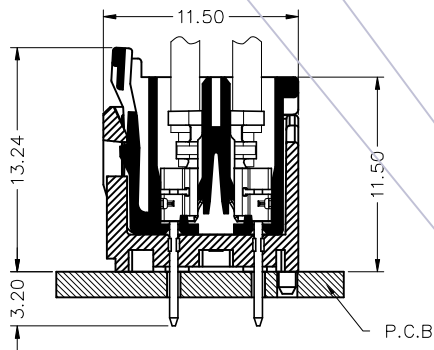
NOTES:
 Rated Current: 3.0A AC/DC
 Rated Voltage: 250V AC/DC
 Contact Resistance: 20mΩ max
 Withstand Voltage: 1000V AC/Minute
 Insulation Resistance: 1000MΩ min
 Operation Temperature: -40°C to +105°C

Contact Material: Brass
 Contact plating: Au Or Sn over Ni
 Insulator Material: PA66 UL94V-0

Ordering Information

WF2007-2 WS XX X 0 1

Dual Row
 Tearminal shape
 WS: Wafer 180°
 No. Of Pins per
 Wcon Internal Code
 0=PE Bag
 Colour
 W=White
 E=BEIGE



Circuit	Part No.	Dimension		
		A	B	C
2*4	WF2007-2WS04W01	6.0	9.8	11.4
2*5	WF2007-2WS05W01	8.0	11.8	13.4
2*6	WF2007-2WS06W01	10.0	13.8	15.4
2*7	WF2007-2WS07W01	12.0	15.8	17.4
2*8	WF2007-2WS08W01	14.0	17.8	19.4
2*9	WF2007-2WS09W01	16.0	19.8	21.4
2*10	WF2007-2WS10W01	18.0	21.8	23.4
2*11	WF2007-2WS11W01	20.0	23.8	25.4
2*12	WF2007-2WS12W01	22.0	25.8	27.4
2*13	WF2007-2WS13W01	24.0	27.8	29.4
2*14	WF2007-2WS14W01	26.0	29.8	31.4
2*15	WF2007-2WS15W01	28.0	31.8	33.4
2*16	WF2007-2WS16W01	30.0	33.8	35.4
2*17	WF2007-2WS17W01	32.0	35.8	37.4
2*18	WF2007-2WS18W01	34.0	37.8	39.4
2*19	WF2007-2WS19W01	36.0	39.8	41.4
2*20	WF2007-2WS20W01	38.0	41.8	43.4

REV	DATE	MODIFICATION DESCRIPTION	CHANGE	OPERATION		DRAW	DATE	SCALE	PART NO.
				X.X	±0.40				
A0	2020/05/16	NEW	-----	X.XX	±0.25	LIU HUI	2020/05/16	1:1	WF2007-2WSXXX01
				X.XXX	±0.15	CHECK	DATE	UNIT	TITLE:
				Angle	± 3°	APPROVE	DATE	mm	2.0*5.0mm Wafer, M Type Dual
				DIM	TOL			inch	Row, S/T DIP Type W/T Post
								A4	Customer NO.
								1/1	

WCON
 Http: www.wcon.com

WCON-Dongguan
 Tel: +86 769 85358920
 Fax: +86 769 85358915
 E-mail: sales@wcon.com

WCON-Kunshan
 Tel: +86 512 57468408
 Fax: +86 512 57468468
 E-mail: sales@wcon.com