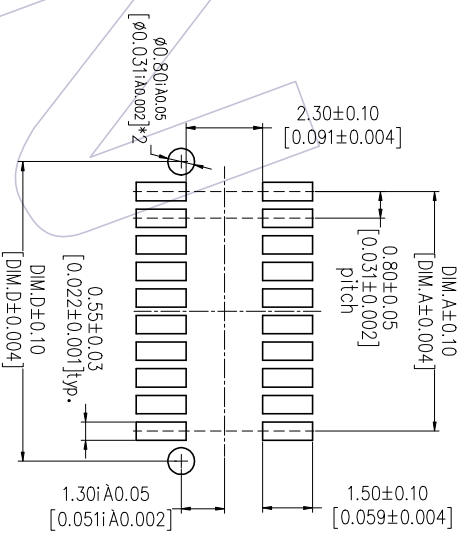
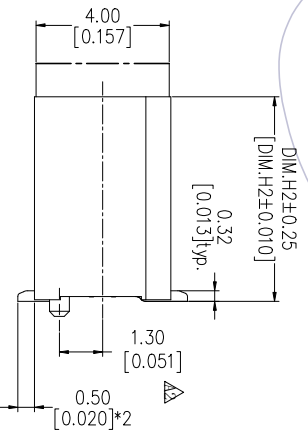
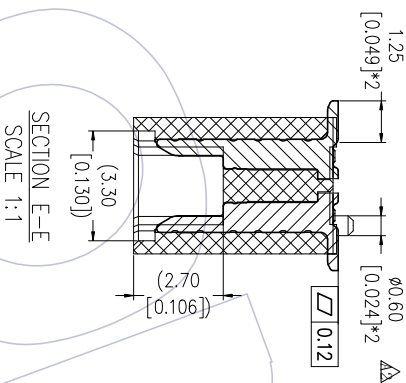
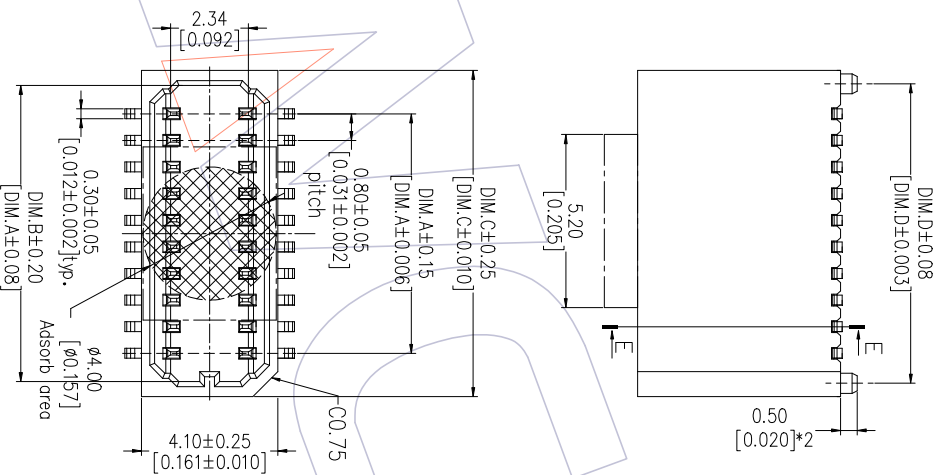
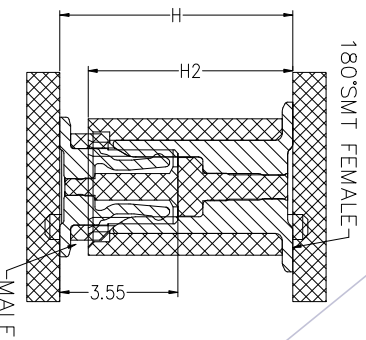


NOTES:
 Current Rating: 0.5AMP
 Contact Resistance: 30mΩ max
 Withstand Voltage: 500V AC/DC
 Insulation Resistance: 100MΩ min
 Operation Temperature: -20℃ to +105℃
 Contact Material: Phosphor Bronze
 Housing Material: PA9T Natural(UL94V-0)
 CAP Material: LCP Natural(UL94V-0)
 Contact plating: Au or Sn over Ni

Ordering Information

3612-S XXX - XXX XX R 01

No of Pins Housing High Contact Plating
 Female=H2 G1=3"Gold G2=5"Gold
 S1=3"Gold/Tin S2=5"Gold/Tin
 T=Tube P=Tube+CAP
 R=Tube&Rect+CAP



ASS'Y HEIGHT(H)	FEMALE(H2)	MALE(H1)
4.50	3.65	
5.00	4.15	
5.55	4.70	
6.00	5.15	3.55
6.50	5.65	
7.00	6.15	

PART NO.	FEMALE(H2)
3612-SXXX-036XXR01	3.65
3612-SXXX-041XXR01	4.15
3612-SXXX-047XXR01	4.70
3612-SXXX-051XXR01	5.15
3612-SXXX-056XXR01	5.65
3612-SXXX-061XXR01	6.15

17.00	17.80	16.90	15.20	40
16.20	17.00	16.10	14.40	38
15.40	16.20	15.30	13.60	36
14.60	15.40	14.50	12.80	34
13.80	14.60	13.70	12.00	32
13.00	13.80	12.90	11.20	30
12.20	13.00	12.10	10.40	28
11.40	12.20	11.30	9.60	26
10.60	11.40	10.50	8.80	24
9.80	10.60	9.70	8.00	22
9.00	9.80	8.90	7.20	20
8.20	9.00	8.10	6.40	18
7.40	8.20	7.30	5.60	16
6.60	7.40	6.50	4.80	14
5.80	6.60	5.70	4.00	12
5.00	5.80	4.90	3.20	10

DIM.D	DIM.C	DIM.B	DIM.A	PIN NO.
-------	-------	-------	-------	---------

MATED
DRAWING(REF.)DRAWING(REF.)

REV	DATE	MODIFICATION DESCRIPTION
A2	2015/12/29	内柱位置: 1.20 → 1.30 大小: φ0.75 → φ0.60
A1	2013/05/02	Modify
A0	2013/03/22	NEW

OPERATION	DRAW	DATE
XX ±0.40	JYHuang	2015/12/29
XX ±0.25	CHECK	DATE
X.XXX ±0.15	CHECK	DATE
Angle ± 3°	APPROVE	DATE
DIM TOL	PROJ.	

SCALE	FIT	PART NO.
mm	inch	3612-SXXX-XXXXXR01
A4	1/1	TITLE: 0.80mm B 70 B
1/1		"M" FEMALE 180° SMT TYPE
		Customer NO.



WCON-Dongguan Tel: +86 769 85358920
 WCON-Kunshan Tel: +86 512 57468408
 Fax: +86 769 85358915 Fax: +86 512 57468468
 E-mail: sales@wcon.com E-mail: sales@wcon.com