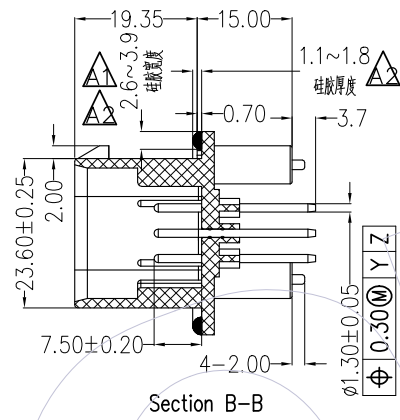
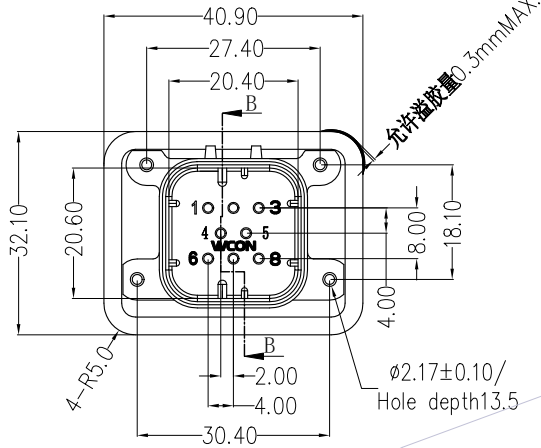


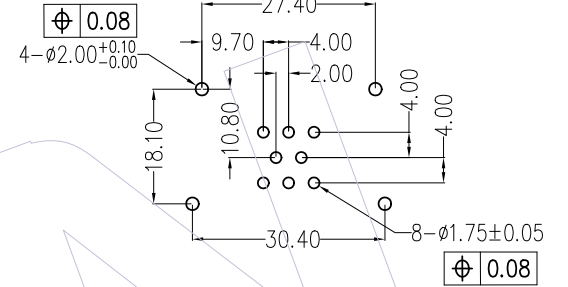
NOTES:
 Rated Current: 5-8A
 Rated Voltage: 250V AC
 Contact Resistance: 10mΩ Max.
 Withstand Voltage: 1000V
 Insulation Resistance: 5000MΩ Min.
 Operation Temperature:
 Tin Plating: -40℃ to +125℃
 Gold Plating: -40℃ to +125℃

Contact Material: Copper Alloy
 Contact Plating: Sn or Au over Ni
 Main Body Material: PBT+30%GF White

Waterproof grade: IP68/IP69K(After installation)



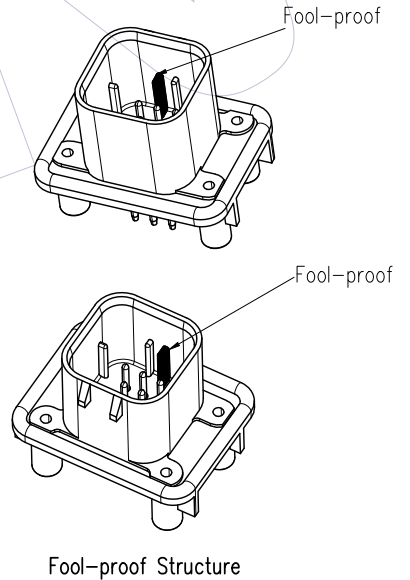
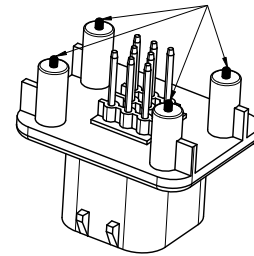
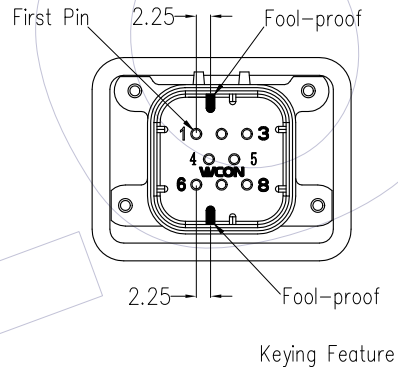
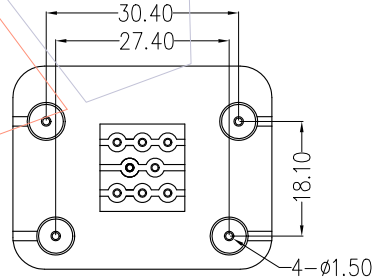
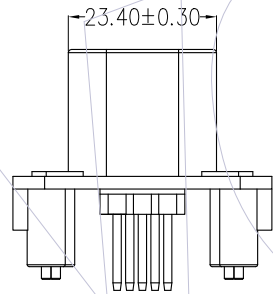
Recommended P.C.B Layout(Top Side)
 (PCB BOARD TOLERANCE±0.05 T=1.5mm)



Ordering Information

74040-3MS 008 A B XX N A 2 W

Contact Material:
 B=Brass
 A=Tray
 Body Material:
 A=PBT
 Contact Plating:
 G0=1u" Gold
 G3=10u" Gold
 SN=Sn
 SM=Matte Sn



Matched Female Number
 74040-3FC008AN00WA2W

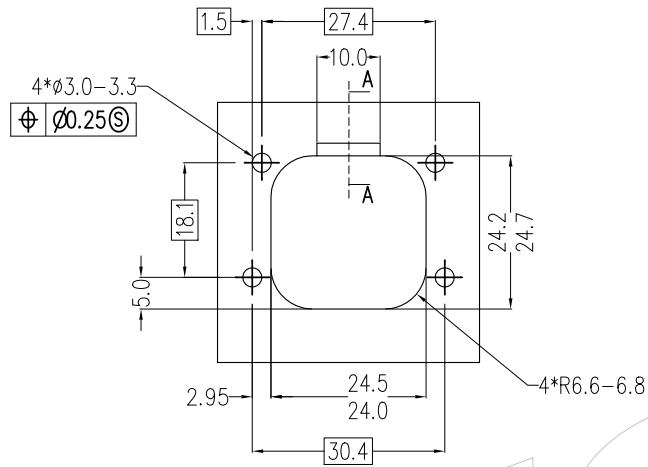
| | | | | | | | | |
|-----|------------|--------------------------|-------------|---------|------------|-------|-----|----------------------|
| A4 | 2019.04.16 | Modify | OPERATION | DRAW | DATE | SCALE | 1:1 | PART NO. |
| A3 | 2018.11.23 | Modify | x.X ±0.40 | Ding | 2019.04.16 | UNIT | mm | 74040-3MS008ABXXNA2W |
| A2 | 2018.09.14 | Modify | x.XX ±0.25 | CHECK | DATE | SIZE | A4 | TITLE: |
| A0 | 2018.03.12 | NEW | x.XXX ±0.15 | APPROVE | DATE | SHEET | 1/2 | 车用防水型8P插座180度 |
| REV | DATE | MODIFICATION DESCRIPTION | CHANGE | DIM | TOL | PROJ. | φ | Customer NO. |

WCON

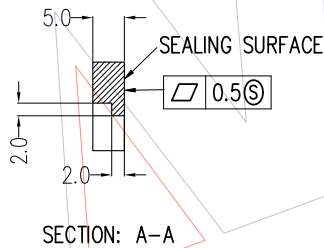
Http: www.wcon.com

WCON-Dongguan
 Tel: +86 769 85358920
 Fax: +86 769 85358915
 E-mail: sales@wcon.com

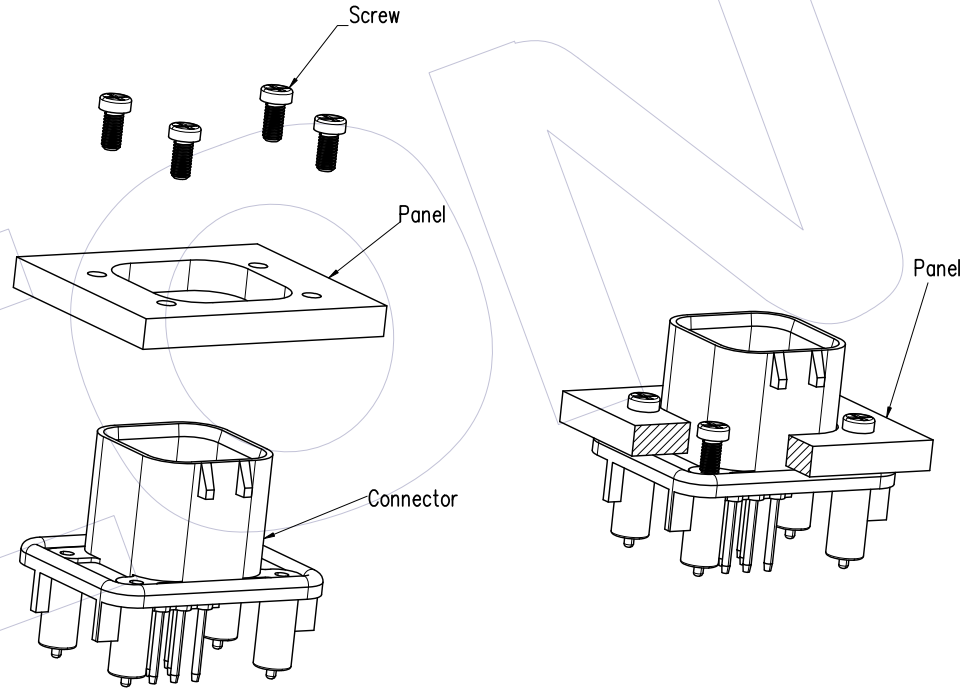
WCON-Kunshan
 Tel: +86 512 57468408
 Fax: +86 512 57468468
 E-mail: salesks@wcon.com



RECOMMENDED MOUNTING HOLE LAYOUT FOR 5.0 MAX THICK PANEL (8PIN)



OPTIONAL CONSTRUCTION IF PANEL THICKNESS IS GREATER THAN 2.0



Explosion View

| | | | | | | | | | |
|-----|------------|--------------------------|-------------|---------|------------|-------|-----|---------------------|---|
| A4 | 2019.04.16 | Modify | OPERATION | DRAW | DATE | SCALE | 1:1 | PART NO. | Http: www.wcon.com |
| A3 | 2018.11.23 | Modify | x.x ±0.40 | Ding | 2019.04.16 | UNIT | mm | 74040-3MS008ABXXN2W | |
| A2 | 2018.09.14 | Modify | x.xx ±0.25 | CHECK | DATE | SIZE | A4 | TITLE: | WCON-Dongguan WCON-Kunshan Tel: +86 769 85358920 Tel: +86 512 57468408 Fax: +86 769 85358915 Fax: +86 512 57468468 E-mail: sales@wcon.com E-mail: salesks@wcon.com |
| A0 | 2018.03.12 | NEW | x.xxx ±0.15 | APPROVE | DATE | SHEET | 2/2 | 车用防水型8P插座180度 | |
| REV | DATE | MODIFICATION DESCRIPTION | CHANGE | DIM | TOL | PROJ. | | Customer NO. | |