

HSF

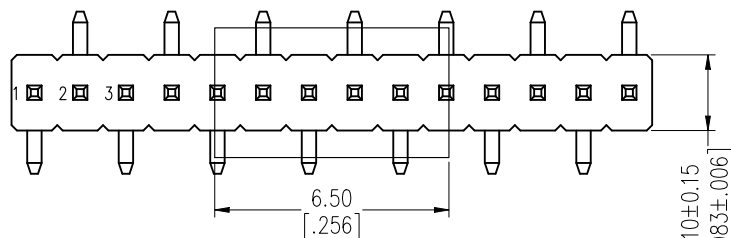
NOTES:
 Rated Current: 1.0AMP.
 Contact Resistance: 20mΩ Max.
 Withstand Voltage: 500V AC/DC
 Insulation Resistance: 1000MΩ Min.
 Operation Temperature: -40°C to +125°C(GOLD)
 -40°C to +105°C(TIN) Δ

Contact Material: Brass
 Contact Plating: Au or Sn Over Ni
 Insulator Material: PA9T+33%G.F UL94V-0 BK

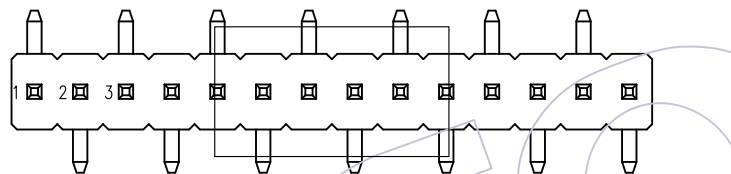
Ordering Information

1310-21 XX XX M XXX C R XX

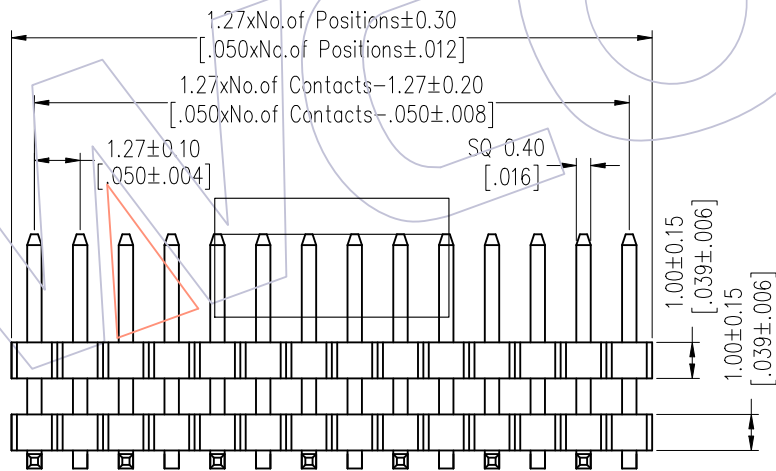
No. of Pins	Contact Plating	Pin Length	Insulator	Packing	Series No.
02-50	G0=Gold Flash G3=10u"Gold G4=15u"Gold G5=30u"Gold S0=Gold Flash/Tin S3=10u"Gold/Tin S4=15u"Gold/Tin S5=30u"Gold/Tin SN=Tin SM=Matte Tin	L=B+C+D+W	C=PA9T	A=Tray T=Tube P=Tube+CAP R=Tape&Reel+CAP	01-99



TYPE-1

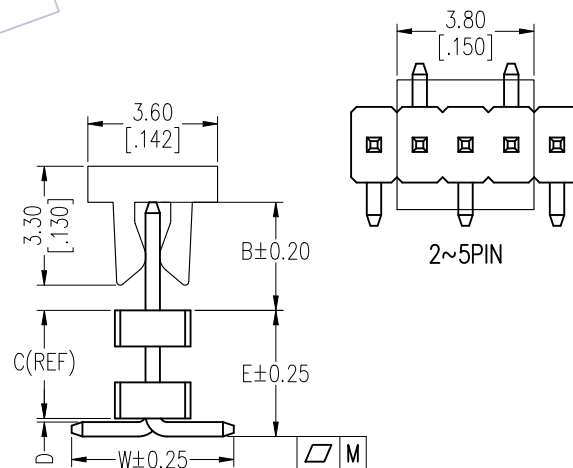
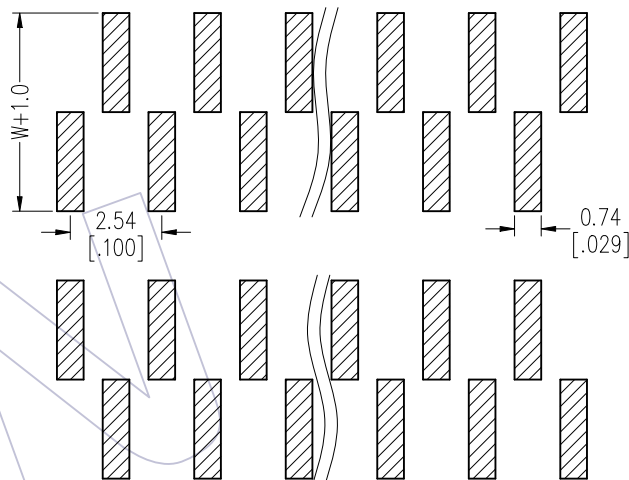


TYPE-2



Recommended P.C.B Layout (Top Side)

(PCB BOARD TOLERANCE±0.05)



Item	Pin Length	W	D	B	E	Mating
Standard	--	4.50	0.10	1.90	--	2321
	--	4.50	0.10	3.00	--	2334
	--	4.50	0.10	4.00	--	2344
Alternate						

	TITLE	PART NO.	SPEC. Δ
PIN	2-15P	16-30P	31-50P
M	0.10	0.15	0.20
	TYPE 1	1310-21XXXXMXXXCX01	DUAL/ODD PINS
	TYPE 2	1310-21XXXXMXXXCX02	DUAL PINS

REV	DATE	MODIFICATION DESCRIPTION	CHANGE	OPERATION	DRAW	DATE	SCALE	Fit	PART NO.
A2	2018/09/04	MODIFY	-----	x.x ±0.40	Ding	2018/09/04	UNIT	mm [inch]	1310-21XXXXMXXXCXXX Δ
A1	2018/01/12	MODIFY PART NO.	-----	x.xx ±0.25	CHECK	DATE	SIZE	A4	TITLE: 1.27 Pin Header, SINGLE ROW, SMT, DOUBLE PLASTIC, H=1.0
A0	2012/03/12	NEW	-----	x.xxx ±0.15	APPROVE	DATE	SHEET	1/1	Customer NO.
REV	DATE	MODIFICATION DESCRIPTION	CHANGE	Angle ± 3°	APPROVE	DATE	PROJ.		
				DIM TOL					

WCON
 Http: www.wcon.com
 WCON-Dongguan Tel: +86 769 85358920
 WCON-Kunshan Tel: +86 512 57468408
 Fax: +86 769 85358915
 Fax: +86 512 57468468
 E-mail: sales@wcon.com
 E-mail: salesks@wcon.com