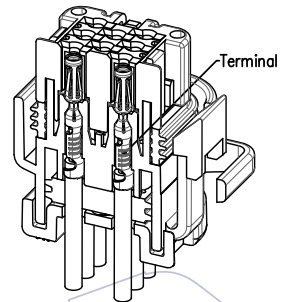
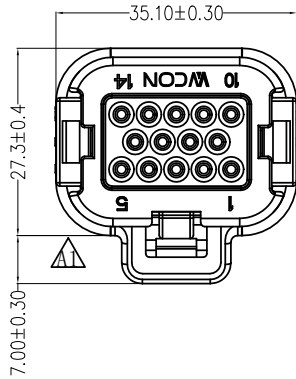
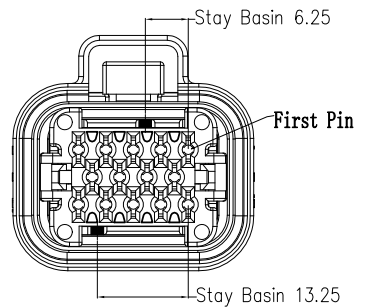
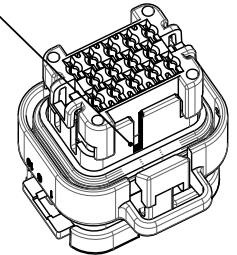
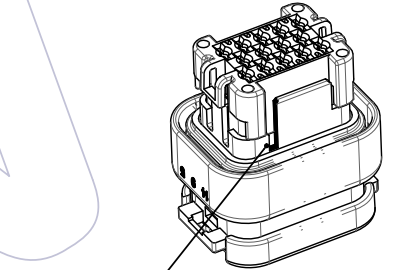
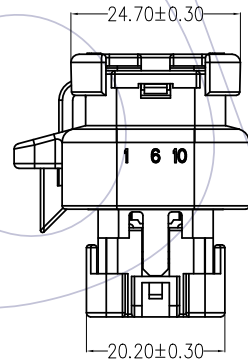
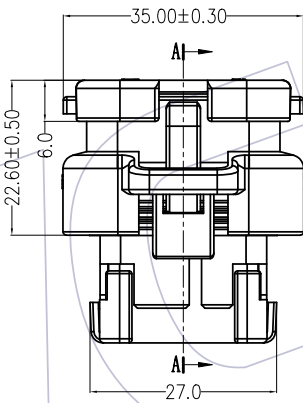
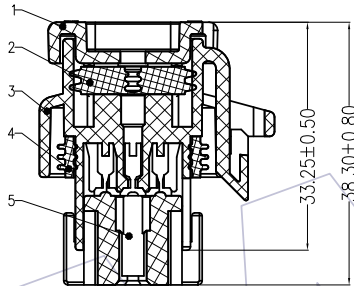


NOTES:
 No.of Positions:14 Pin
 Housing Material: PBT
 Wire Size Range: 20-16AWG(1.0-1.5mm²)
 Operation Temperature: -40℃ to +125℃
 Waterproof grade:IP68/IP69K(After installation)



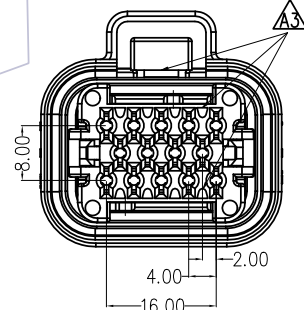
Serial Number	Part Name	Material	Consumption
1	Line end shell	PBT / BLACK	1
2	Line end sealing ring	Silicon rubber	1
3	Main body	PBT / GREY	1
4	Main sealing ring	Silicon rubber	1
5	Lock cover	PBT / RED	1



Ordering Information

74040-3FC 014 A N 00 W A 3 W

No. of Pins: 014=14P
 Body Material: A=PBT
 A=Tray W=WITH WCON LOGO
 Blank=W/O LOGO



Matched Plug Number:

74040-3MS014ABXXNA3 (W)
74040-3MS014ABXXJA3 (W)
74040-3MR014ABXXNA3 (W)
74040-3MR014ABXXJA3 (W)

REV	DATE	MODIFICATION DESCRIPTION	CHANGE	DIM	TOL	OPERATION	DRAW	DATE	SCALE	FIT	PART NO.
A3	2021/09/03	Modify;ADD W/O LOGO SPEC.&P/N	---			OPERATION	DRAW	2021/09/03	UNIT	mm	74040-3FC014AN00WA3 (W)
A2	2019/03/18	Modify	---		±0.40	CHECK	DATE	SIZE	inch	A4	
A1	2018/11/29	Modify	---		±0.25				SHEET	1/1	TITLE:
A0	2018/09/01	NEW	---		±0.15				PROJ.		4.0X4.0 three row car connector line end 14P socket
					Angle ± 3°	APPROVE	DATE				Customer NO.

WCON
 Http: www.wcon.com

WCON-Dongguan Tel: +86 769 85358920 Fax: +86 769 85358915 E-mail: sales@wcon.com	WCON-Kunshan Tel: +86 512 57468408 Fax: +86 512 57468468 E-mail: salesks@wcon.com
---	--