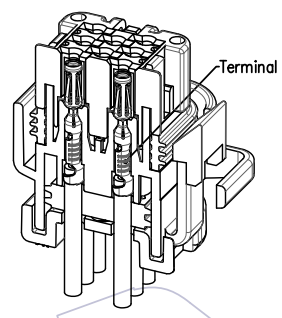
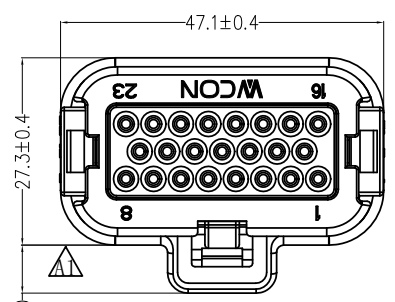
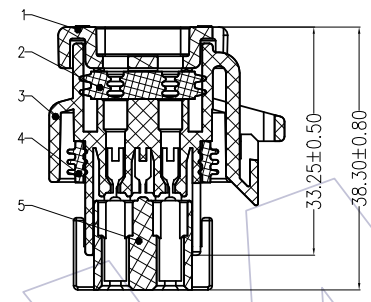


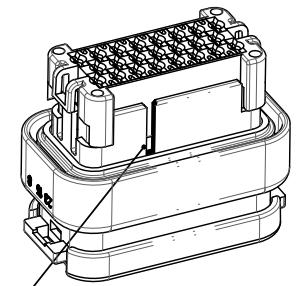
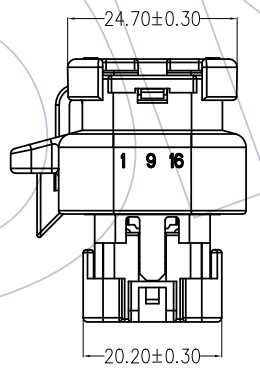
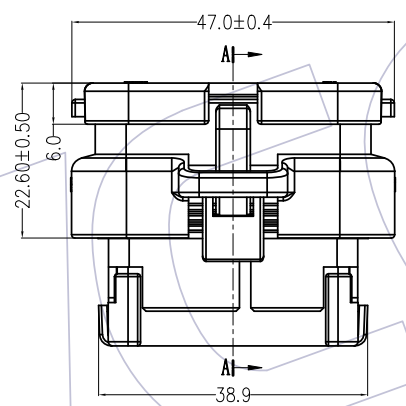
NOTES:
 No.of Positions: 23 Pin
 Housing Material: PBT
 Wire Size Range: 20-16AWG(1.0-1.5mm²)
 Operation Temperature: -40℃ to +125℃
 Waterproof grade:IP68/IP69K(After installation)



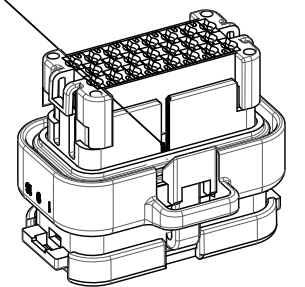
Serial Number	Part Name	Material	Consumption
1	Line end shell	PBT / BLACK	1
2	Line end sealing ring	Silicon rubber	1
3	Main body	PBT / BLACK	1
4	Main sealing ring	Silicon rubber	1
5	Lock cover	PBT / RED	1



Section A-A



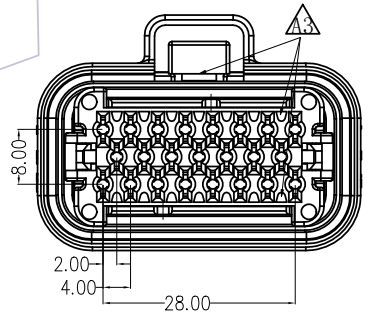
Stay Basin



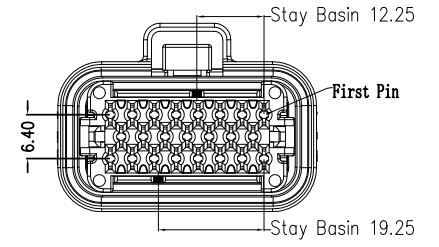
Ordering Information

74040-3FC 023 A N 00 W A 1 W

No. of Pins: 023=23P
 Body Material: A=PBT
 A=Tray
 W=I/T WCON LOGO
 Blank=W/O LOGO



Matched Plug Number:
74040-3MS023ABXXNA1 (W)
74040-3MS023ABXXJA1 (W)
74040-3MR023ABXXNA1 (W)
74040-3MR023ABXXJA1 (W)



REV	DATE	MODIFICATION DESCRIPTION	CHANGE	DIM	TOL	OPERATION	DATE	SCALE	FIT	PART NO.
A3	2021/08/18	Modify;ADD W/O LOGO SPEC.&P/N	XSR			OPERATION	2021/08/18	SCALE	FIT	74040-3FC023AN00WA1 (W)
A2	2019/03/18	Modify			±0.40	CHECK		UNIT	mm	
A1	2018/11/29	Modify			±0.25	CHECK		SIZE	A4	TITLE:
A0	2018/09/01	NEW			±0.15	APPROVE		SHEET	1/1	4.0X4.0 three row car connector
					Angle ± 3°	APPROVE		PROJ.		Customer NO.
										line end 23P socket

WCON
 Http: www.wcon.com

WCON-Dongguan Tel: +86 769 85358920
 WCON-Kunshan Tel: +86 512 57468408
 Fax: +86 769 85358915
 Fax: +86 512 57468468
 E-mail: sales@wcon.com
 E-mail: salesks@wcon.com