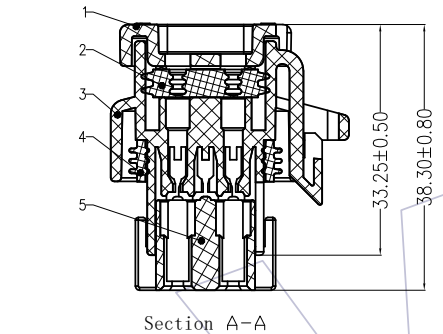
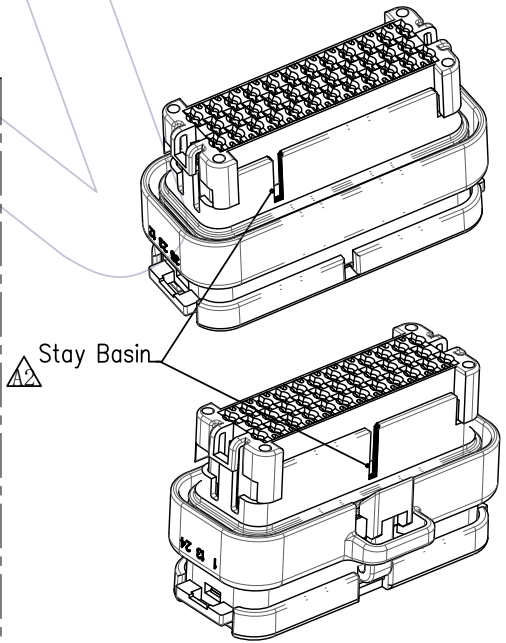


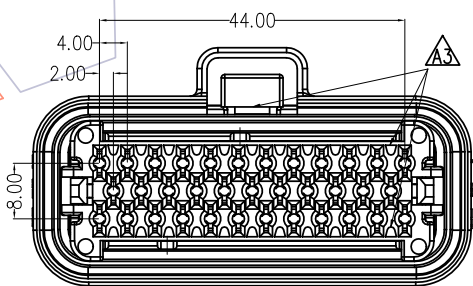
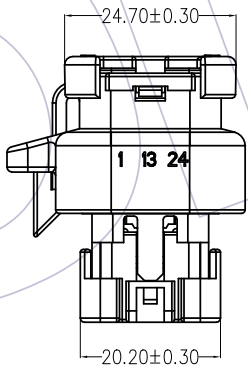
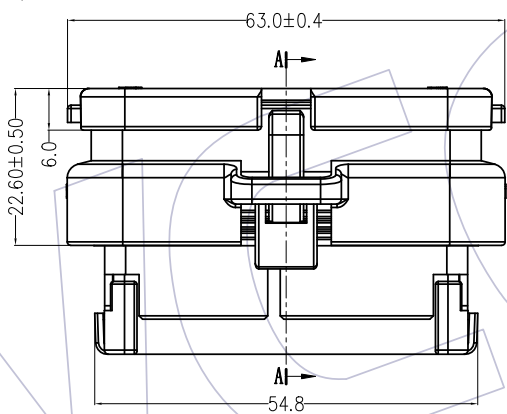
Serial Number	Part Name	Material	Consumption
1	Line end shell	PBT / BLACK	1
2	Line end sealing ring	Silicon rubber	1
3	Main body	PBT / ORANGE	1
4	Main sealing ring	Silicon rubber	1
5	Lock cover	PBT / RED	1

NOTES:
 No. of Positions: 35 Pin
 Housing Material: PBT
 Wire Size Range: 20-16AWG(1.0-1.5mm²)
 Operation Temperature: -40°C to +125°C
 Waterproof grade: IP68/IP69K(After installation)

Assembly sketch



Section A-A



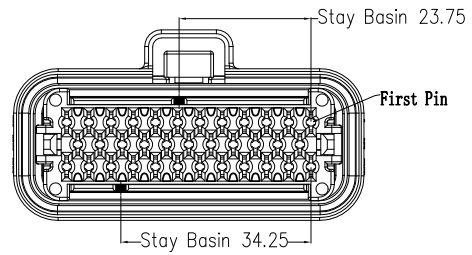
Ordering Information

74040-3FC 035 A N 00 W A 5 W

No. of Pins: 035=35P
 Body Material: A=PBT
 A=Tray
 W=W/T WCON LOGO
 Blank=W/O LOGO

Matched Plug Number:

74040-3MS035ABXXNA5 (W)
74040-3MS035ABXXJA5 (W)
74040-3MR035ABXXNA5 (W)
74040-3MR035ABXXJA5 (W)



REV	DATE	MODIFICATION DESCRIPTION	CHANGE	OPERATION	DRAW	DATE	SCALE	FIT	PART NO.
A3	2021/09/03	Modify;ADD W/O LOGO SPEC.&P/N	XSR	OPERATION	DRAW	2021/09/03	SCALE	FIT	74040-3FC035AN00WA5 (W)
A2	2019/03/18	Modify	---	X.X ±0.40	XSR		UNIT	mm	TITLE: 4.0X4.0 three row car connector line end 35P socket
A1	2018/11/29	Modify	---	X.XX ±0.25	CHECK	DATE	SIZE	A4	
A0	2018/09/01	NEW	---	X.XXX ±0.15	APPROVE	DATE	SHEET	1/1	Customer NO.
				Angle ± 3°			PROJ.		
				DIM TOL					

WCON
 Http: www.wcon.com

WCON-Dongguan	WCON-Kunshan
Tel: +86 769 85358920	Tel: +86 512 57468408
Fax: +86 769 85358915	Fax: +86 512 57468468
E-mail: sales@wcon.com	E-mail: salesks@wcon.com