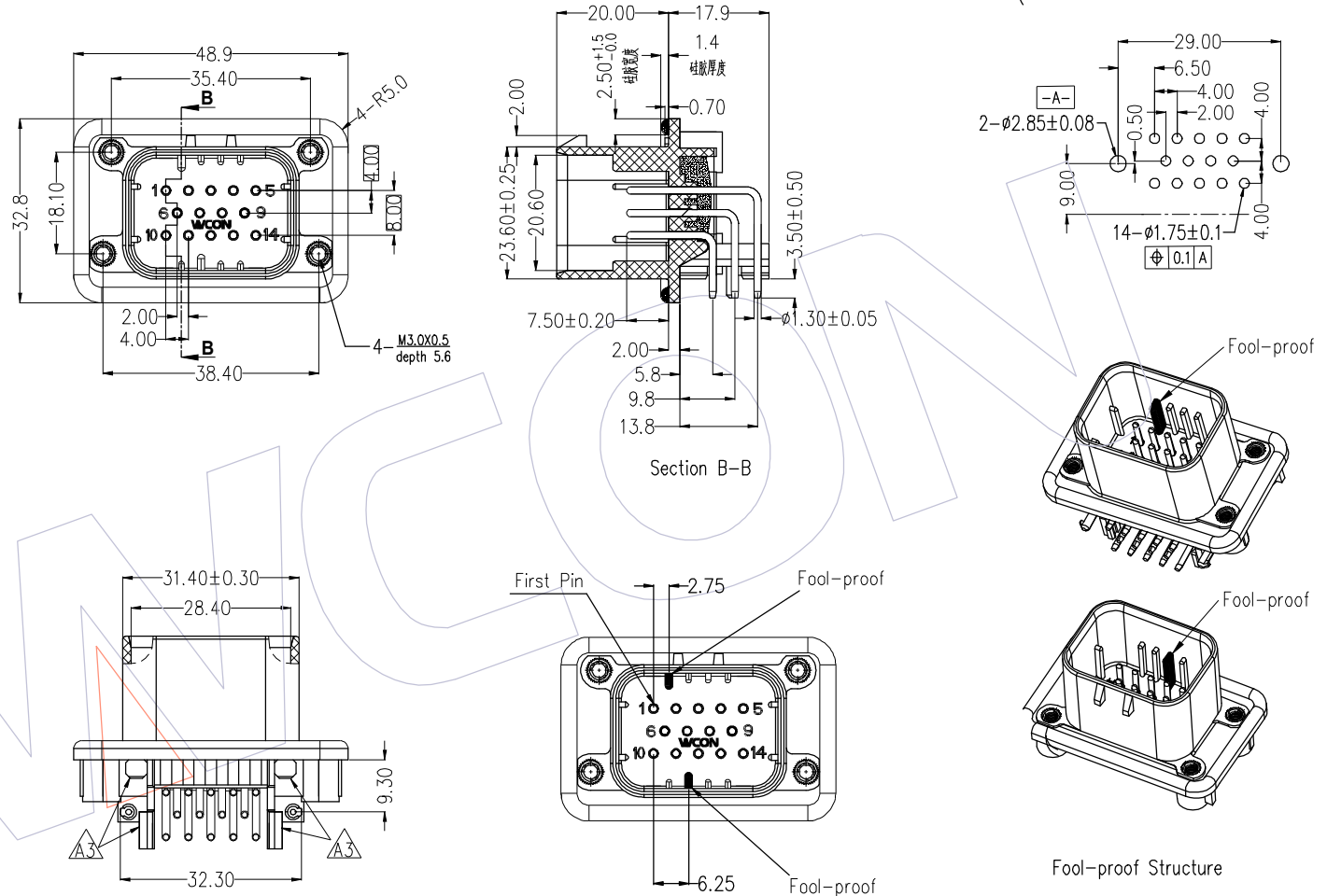


NOTES: 
 Rated Current: 5-8A
 Rated Voltage: 250V AC
 Contact Resistance: 10mΩ Max.
 Withstand Voltage: 1000V
 Insulation Resistance: 5000MΩ Min.
 Operation Temperature:
 Tin Plating: -40℃ to +125℃
 Gold Plating: -40℃ to +125℃

Contact Material: Copper Alloy
 Contact Plating: Sn or Au over Ni
 Main Body Material: PBT+30%GF White
 Waterproof grade: IP68/IP69K(After installation)

Recommended P.C.B Layout(Top Side)
 (PCB BOARD TOLERANCE±0.05 T=1.50mm)



Ordering Information

74040-3MR 014 A W XX J A 2 W


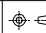
Body Material:
A=PBT

Contact Material:
B=Brass

A=Tray

Contact Plating:
G0=1u" Gold
G3=10u" Gold
SN=Sn
SM=Matte Sn

Matched Female Number
74040-3FC014AN00WA2W

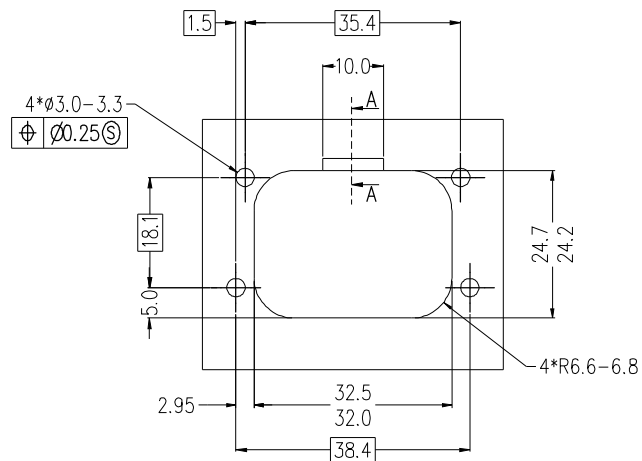
A3	2022.06.08	Modify	OPERATION	DRAW	DATE	SCALE	1:1	PART NO.
A2	2020.08.03	Modify	x.x ±0.40	XSR	2022.06.08	UNIT	mm	74040-3MR014ABXXJA2W 
A1	2019.04.16	Modify	x.xx ±0.25	CHECK	DATE	SIZE	A4	TITLE: 14P 90° Three row automobile waterproof connector (Upgraded Version)
A0	2018.11.09	NEW	x.xxx ±0.15	APPROVE	DATE	SHEET	1/2	Customer NO.
REV	DATE	MODIFICATION DESCRIPTION	CHANGE	DIM TOL	DATE	PROJ.		

WCON

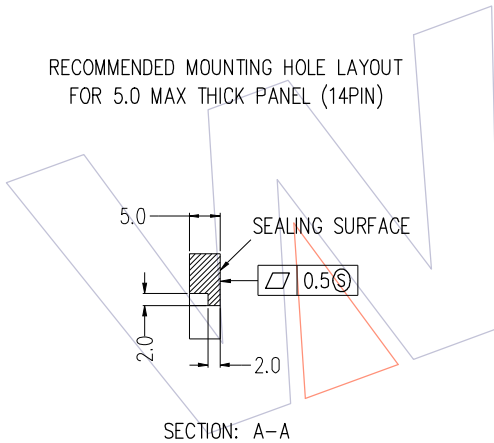
Http: www.wcon.com

WCON-Dongguan Tel: +86 769 85358920 Fax: +86 769 85358915 E-mail: sales@wcon.com

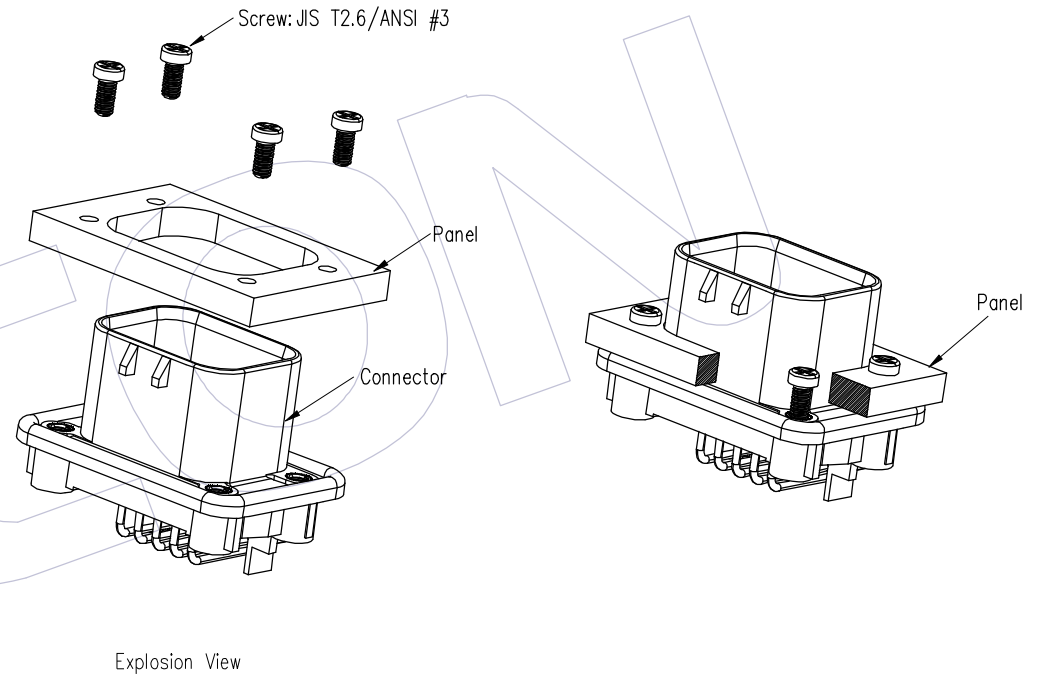
WCON-Kunshan Tel: +86 512 57468408 Fax: +86 512 57468468 E-mail: salesks@wcon.com



RECOMMENDED MOUNTING HOLE LAYOUT FOR 5.0 MAX THICK PANEL (14PIN)



OPTIONAL CONSTRUCTION IF PANEL THICKNESS IS GREATER THAN 2.0



A3	2022.06.08	Modify	—	OPERATION	DRAW	DATE	SCALE	1:1	PART NO.
A2	2020.08.03	Modify	—	x.x ±0.40	XSR	2022.06.08	UNIT	mm	74040-3MR014ABXXJA2W
A1	2019.04.16	Modify	—	x.xx ±0.25	CHECK	DATE	SIZE	A4	TITLE: 14P 90° Three row automobile waterproof connector (Upgraded Version)
A0	2018.11.09	NEW	—	x.xxx ±0.15	APPROVE	DATE	SHEET	2/2	Customer NO.
REV	DATE	MODIFICATION DESCRIPTION	CHANGE	Angle ± 3°			PROJ.		
				DIM TOL					

WCON

Http: www.wcon.com

WCON-Dongguan Tel: +86 769 85358920 E-mail: sales@wcon.com	WCON-Kunshan Tel: +86 512 57468408 Fax: +86 512 57468468 E-mail: salesks@wcon.com
--	--