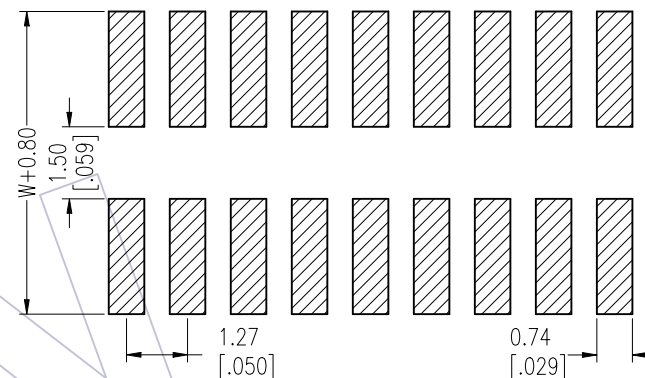
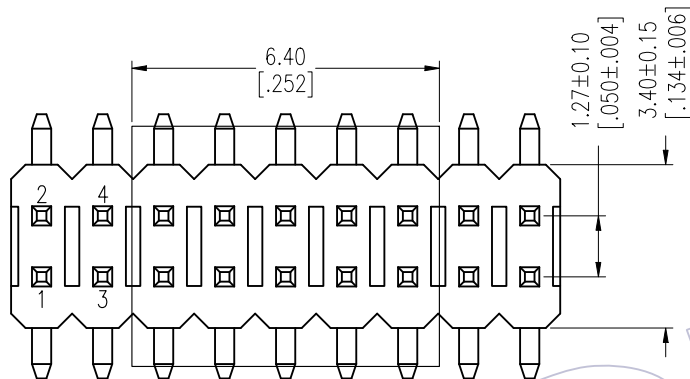


HSF

NOTES:
 Rated Current:1.0AMP.
 Contact Resistance:20mΩ Max.
 Withstand Voltage:500V AC/DC
 Insulation Resistance:1000MΩ Min.
 Operation Temperature:-40℃ to +105℃

Contact Material:Brass
 Contact Plating:Au or Sn Over Ni
 Insulator Material:PA9T+33%G.F UL94V-0 BK

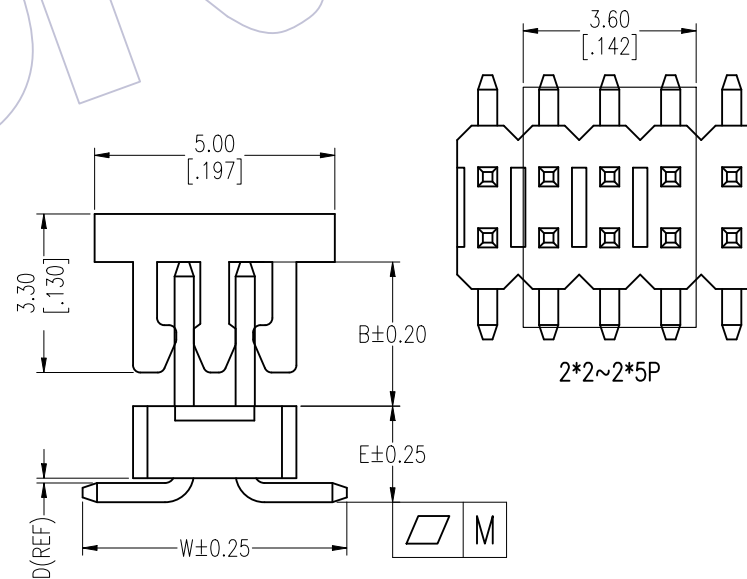
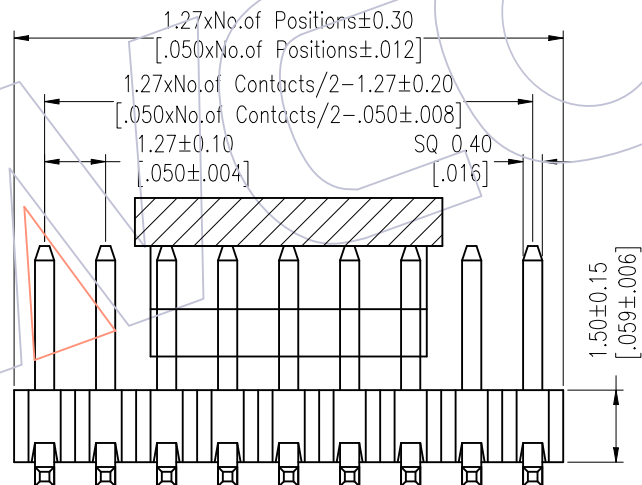
Recommended P.C.B Layout (Top Side)
 (PCB BOARD TOLERANCE±0.05)



Ordering Information

1315-12 XX XX M XXX C R XX

No. of Pins	Contact Plating	Pin Length	Insulator	Series No.
Per Row:02~50	G0=Gold Flash G3=10u"Gold G4=15u"Gold G5=30u"Gold	L=B+D+1.5+ $\frac{W+1.27}{2}$ Standard:056=5.6 067=6.7 077=7.7	C=PA9T	01~99
	S0=Gold Flash/Tin S3=10u"Gold/Tin S4=15u"Gold/Tin S5=30u"Gold/Tin SN=Tin SM=Matte Tin			
			Packing A=Tray T=Tube P=Tube+CAP R=Tape&Reel+CAP	



Item	Pin Length	W	E	B	Mating
Standard	5.6	5.50	2.00	1.90	2321
	6.7	5.50	2.00	3.00	2334
	7.7	5.50	2.00	4.00	2344
Alternate					

PIN(PerRow)	2-15P	16-30P	31-50P
M	0.10	0.15	0.18

REV	DATE	MODIFICATION DESCRIPTION	CHANGE	OPERATION	DRAW	DATE	SCALE	Fit	PART NO.
A4	2023/02/01	Add Flatness	△4	Du Ying	OPERATION	2023/02/01	UNIT	mm [inch]	1315-12XXXXMXXXCXXX △4
A3	2021/12/27	MODIFY CAP	△3	Du Ying	CHECK	DATE	SIZE	A4	TITLE:
A2	2018/01/15	MODIFY PART NO.	△2	William Chen	CHECK	DATE	SHEET	1/1	1.27 Pin Header, DUAL ROW, SMT, H=1.5
A0	2012/03/15	NEW	-----	-----	APPROVE	DATE	PROJ.	Customer NO.	
REV	DATE	MODIFICATION DESCRIPTION	CHANGE	OPERATION	DRAW	DATE	SCALE	Fit	PART NO.

WCON
 Http: www.wcon.com
 WCON-Dongguan Tel: +86 769 85358920
 WCON-Kunshan Tel: +86 512 57468408
 Fax: +86 769 85358915
 Fax: +86 512 57468468
 E-mail: sales@wcon.com
 E-mail: salesks@wcon.com