

HSF

NOTES:
Current Rating:0.5A AMP
Voltage Rating:60V AC/DC
Contact Resistance:60milliohm Max
Withstand Voltage:250V AC/DC
Insulation Resistance:1000Megohm Min
Operation Temperature:-40°C to +105°C

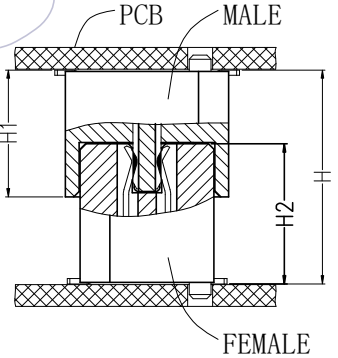
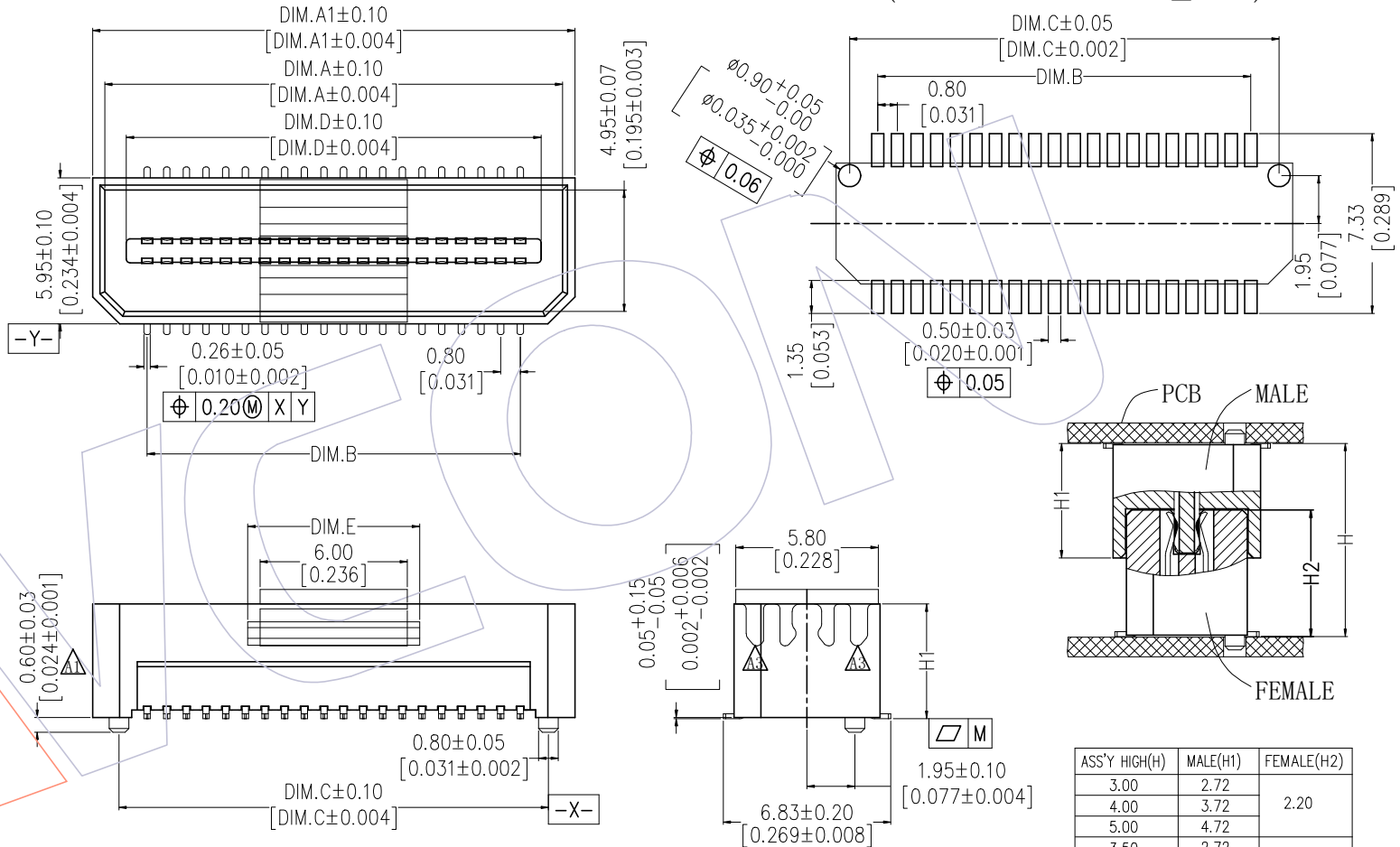
Housing Material:PA9T (UL94V-0)
Contact Material:Phosphor Bronze
Contact plating:Au over Ni Plating

Ordering Information

3617-P XXX - XXX XX X 01

No. of Pins Housing High Contact Plating T=Tube
014=14P 027=2.72mm G1=3u"Gold P=Tube+CAP
..... 037=3.72mm G2=5u"Gold R=Tape&Reel+CAP
100=100P 047=4.72mm S1=3u"Gold/Tin
 101=10.14mm S2=5u"Gold/Tin
 111=11.14mm

NO.OF PINS	DIM.A1	DIM.B	DIM.C	DIM.D	DIM.A	DIM.E
14	9.25	4.80	7.10	6.50	8.25	3.0
16	10.05	5.60	7.90	7.30	9.05	
20	11.65	7.20	9.50	8.90	10.65	4.5
22	12.45	8.00	10.30	9.70	11.45	
24	13.25	8.80	11.10	10.50	12.25	5.0
26	14.05	9.60	11.90	11.30	13.05	
30	15.65	11.20	13.50	12.90	14.65	7.0
34	17.25	12.80	15.10	14.50	16.25	
40	19.65	15.20	17.50	16.90	18.65	8.5
50	25.85	19.20	21.50	20.90	23.45	
60	29.85	23.20	25.50	24.90	27.45	8.5
64	31.45	24.80	27.10	26.50	29.05	
80	37.85	31.20	33.50	32.90	35.45	8.5
100	45.85	39.20	41.50	40.90	43.45	



ASS'Y HIGH(H)	MALE(H1)	FEMALE(H2)
3.00	2.72	2.20
4.00	3.72	
5.00	4.72	
3.50	2.72	2.70
4.50	3.72	
5.50	4.72	
6.00	2.72	5.20
7.00	3.72	
8.00	4.72	
13.00	10.14	
14.00	11.14	

PIN	14-80P	82-100P
M	0.10	0.15

REV	DATE	MODIFICATION DESCRIPTION	CHANGE	OPERATION	DRAW	DATE	SCALE	FIT	PART NO.
A3	2020/09/01	Change the CAP	---	OPERATION	DRAW	2020/09/01	SCALE	FIT	3617-PXXX-XXXXXX01
A2	2019/03/26	Modify the DIM.E	---	X.X ±0.40	HUIPAN	DATE	UNIT	mm	TITLE: 0.80mm B TO B MALE SMT TYPE
A1	2018/12/24	Modify	---	X.XX ±0.25	CHECK	DATE	SIZE	inch	
A0	2017/11/15	NEW	---	X.XXX ±0.15	APPROVE	DATE	SHEET	1/1	Customer NO.
				Angle ± 3°			PROJ.	◆	
				DIM TOL					

WCON

Http: www.wcon.com

WCON-Dongguan
Tel: +86 769 85358920
Fax: +86 769 85358915
E-mail: sales@wcon.com

WCON-Kunshan
Tel: +86 512 57468408
Fax: +86 512 57468468
E-mail: sales@wcon.com