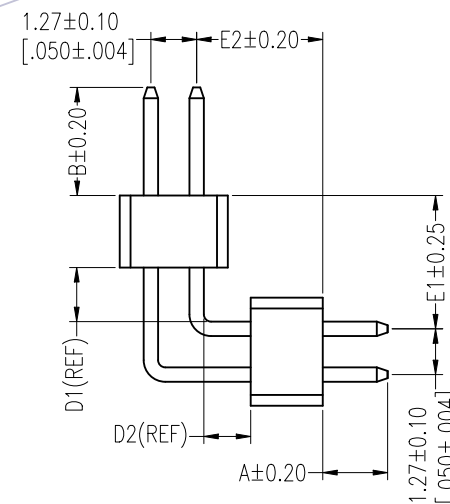
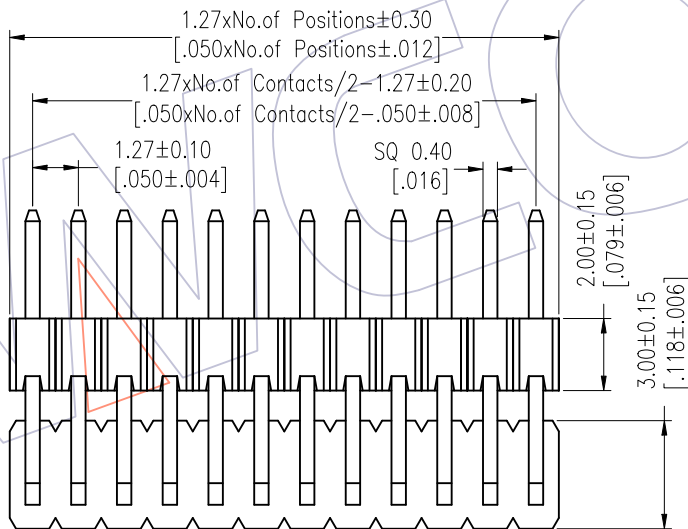
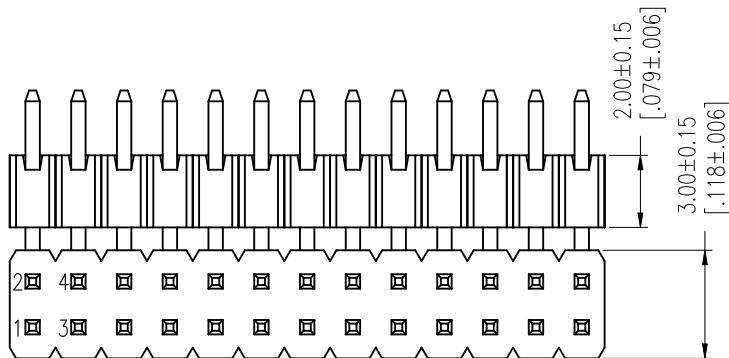
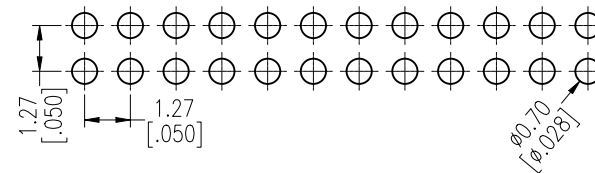


HSF

NOTES:
 Rated Current:1.0AMP.
 Contact Resistance:20mΩ Max.
 Withstand Voltage:500V AC/DC
 Insulation Resistance:1000MΩ Min.
 Operation Temperature:-40°C to +105°C

Contact Material:Brass
 Contact Plating:Au or Sn Over Ni
 Insulator Material:PA9T+33%G.F UL94V-0 BK

Recommended P.C.B Layout (Top Side)
 (PCB BOARD TOLERANCE±0.05)



Ordering Information

1320-22 XX XX R XXX C A XX

No.of Pins Contact Plating Pin Length(Short) Insulator Packing Series No.
 Per Row:01~50 G0=Gold Flash L=A+B+D1+D2+4.2 C=PA9T A=Tray 01-99
 G3=10u"Gold
 G4=15u"Gold
 G5=30u"Gold
 S0=Gold Flash/Tin
 S3=10u"Gold/Tin
 S4=15u"Gold/Tin
 S5=30u"Gold/Tin
 SN=Tin
 SM=Matte Tin

Item	Pin Length	A	E1	B	E2	Mating
Standard	---	1.80	---	1.90	---	2321
	---	1.80	---	3.00	---	2334
	---	1.80	---	4.00	---	2344
Alternate						

REV	DATE	MODIFICATION DESCRIPTION	CHANGE	OPERATION	DRAW	DATE	SCALE	Fit	PART NO.
A1	2018/01/17	MODIFY PART NO.	-----	X.X ±0.40	William Chen	2018/01/17	UNIT	mm [inch]	1320-22XXXXRXXXCXXX
A0	2012/03/22	NEW	-----	X.XX ±0.25	CHECK	DATE	SIZE	A4	TITLE: 1.27 Pin Header, DUAL ROW, R/A, DOUBLE PLASTIC, MIDDLE BENDING, H=2.0
				X.XXX ±0.15	APPROVE	DATE	SHEET	1/1	Customer NO.
				Angle ± 3'			PROJ.		
				DIM TOL					

WCON
 Http: www.wcon.com
 WCON-Dongguan Tel: +86 769 85358920
 WCON-Kunshan Tel: +86 512 57468408
 Fax: +86 769 85358915
 Fax: +86 512 57468468
 E-mail: sales@wcon.com
 E-mail: salesks@wcon.com