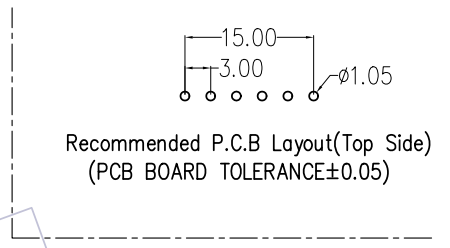
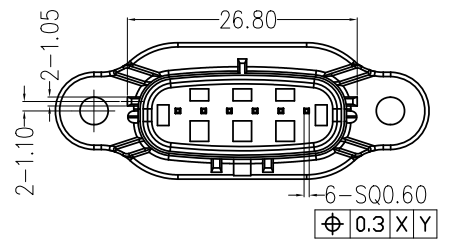
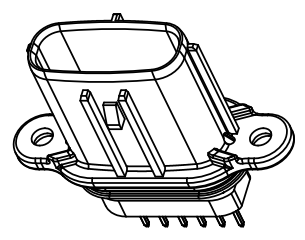


HSF

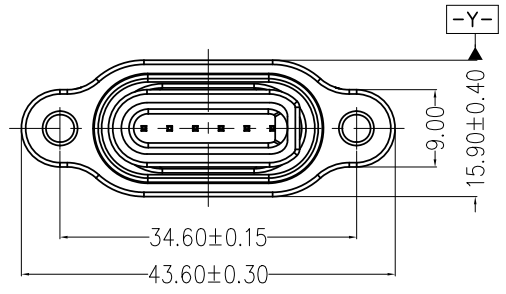
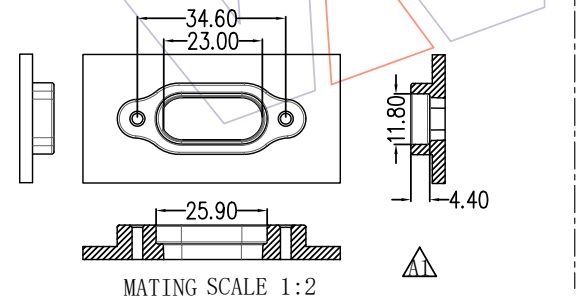
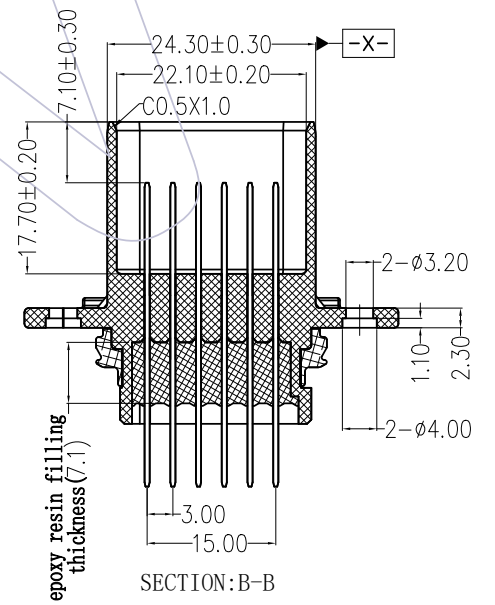
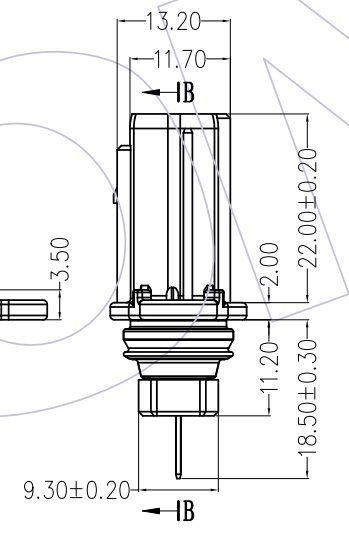
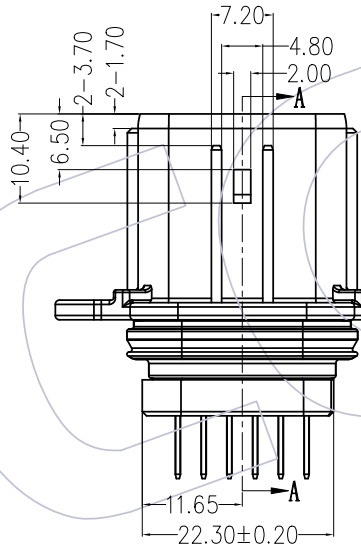
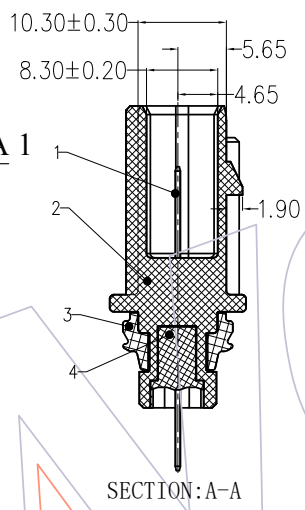
NOTES:
 No. of Positions: 6 Pin
 Housing Material: PBT UL94-HB
 Contact Material: Copper Alloy
 Contact Plating: Sn
 Operation Temperature: -40°C to +105°C
 Waterproof grade: IP67 (After installation)



Ordering Information

73000-1MS 006 A B SN G A 1

No. of Pins: 006=6P
 Body Material: A=PBT
 Contact Material: B=Brass
 Contact Plating: SN= Tin
 G = Seal Ring
 A=Vacuum box



Serial Number	Part Name	Material	Consumption
1	Contact	Copper Alloy	6
2	Housing	PBT UL94-HB	1
3	Sealing ring	Silicon rubber	1
4	Resin	epoxy resin	

REV	DATE	MODIFICATION DESCRIPTION	CHANGE	OPERATION		DRAW	DATE	SCALE	FIT	PART NO.
				X.X	±0.40					
A1	2018/11/15	Modify		X.XX	±0.25	Ding	2018/11/15	UNIT	mm	73000-1MS006ABSNGA1
AO	2018/08/27	NEW		X.XXX	±0.15	CHECK	DATE	SIZE	A4	TITLE:
				Angle	± 3'	APPROVE	DATE	SHEET	1/1	Vehicular waterproof plug 6Pin (Belt seal ring)
				DIM	TOL			PROJ.	Customer NO.	

WCON
 Http: www.wcon.com

WCON-Dongguan Tel: +86 769 85358920
 WCON-Kunshan Tel: +86 512 57468408
 Fax: +86 769 85358915
 Fax: +86 512 57468468
 E-mail: sales@wcon.com
 E-mail: salesks@wcon.com