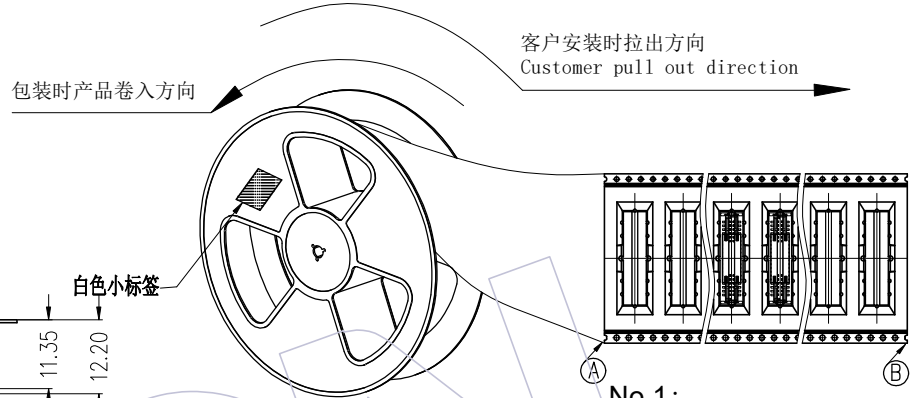
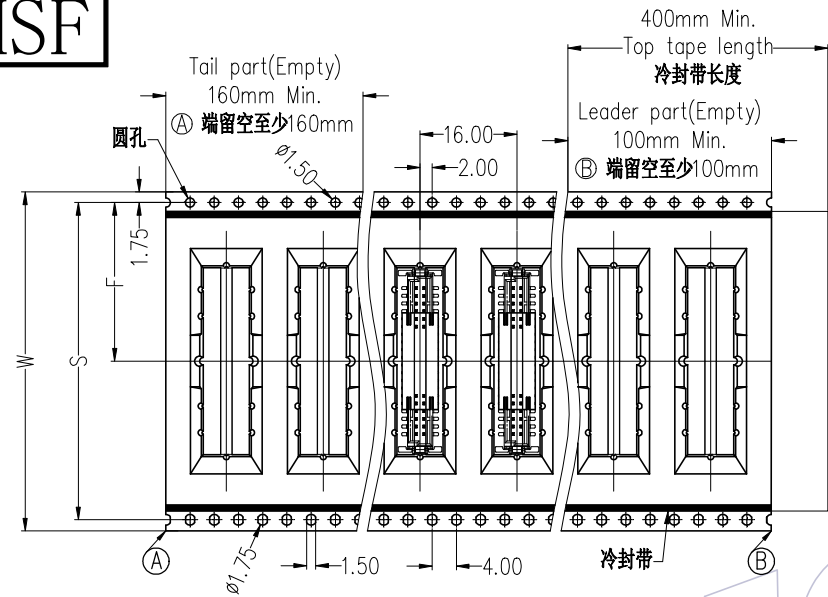
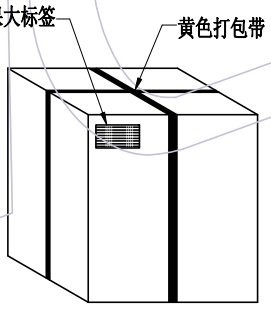


HSF

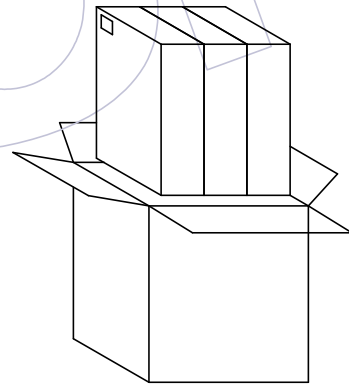


No.1:
产品包装前,注意载带要留空160mm以上
将产品放入载带凹槽后,用盖带封装,
注意:盖带与承载带的拉力30g-120g

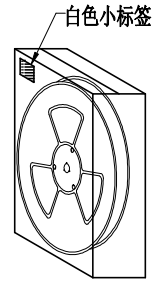
| Pin | 载带料号 | W | S | F | PCS/Reel | PCS/内箱 | PCS/外箱 |
|------|--------------------|-----------|------------|------------|----------|--------|--------|
| 10P | TR3910-MN010M11501 | 32.0±0.30 | 28.40±0.10 | 14.20±0.15 | 290 | 580 | 1740 |
| 12P | TR3910-MN012M11501 | 32.0±0.30 | 28.40±0.10 | 14.20±0.15 | 290 | 580 | 1740 |
| 14P | TR3910-MN014M11501 | 44.0±0.30 | 40.40±0.10 | 20.20±0.15 | 290 | 580 | 1740 |
| 16P | TR3910-MN016M11501 | 44.0±0.30 | 40.40±0.10 | 20.20±0.15 | 290 | 580 | 1740 |
| 18P | TR3910-MN018M11501 | 44.0±0.30 | 40.40±0.10 | 20.20±0.15 | 290 | 580 | 1740 |
| 20P | TR3910-MN020M11501 | 44.0±0.30 | 40.40±0.10 | 20.20±0.15 | 290 | 580 | 1740 |
| 22P | TR3910-MN022M11501 | 44.0±0.30 | 40.40±0.10 | 20.20±0.15 | 290 | 580 | 1740 |
| 24P | TR3910-MN024M11501 | 44.0±0.30 | 40.40±0.10 | 20.20±0.15 | 290 | 580 | 1740 |
| 26P | TR3910-MN026M11501 | 44.0±0.30 | 40.40±0.10 | 20.20±0.15 | 290 | 580 | 1740 |
| 30P | TR3910-MN030M11501 | 44.0±0.30 | 40.40±0.10 | 20.20±0.15 | 290 | 580 | 1740 |
| 32P | TR3910-MN032M11501 | 44.0±0.30 | 40.40±0.10 | 20.20±0.15 | 290 | 580 | 1740 |
| 40P | TR3910-MN040M11501 | 56.0±0.30 | 52.40±0.10 | 26.20±0.15 | 290 | 290 | 870 |
| 50P | TR3910-50G5606 | 56.0±0.30 | 52.40±0.10 | 26.20±0.15 | 290 | 290 | 870 |
| 60P | TR3910-MN060M11501 | 72.0±0.30 | 68.40±0.10 | 34.20±0.15 | 290 | 290 | 870 |
| 68P | TR3910-MN068M11501 | 72.0±0.30 | 68.40±0.10 | 34.20±0.15 | 290 | 290 | 870 |
| 70P | TR3910-MN070M11501 | 72.0±0.30 | 68.40±0.10 | 34.20±0.15 | 290 | 290 | 870 |
| 80P | TR3910-MN080M11501 | 88.0±0.30 | 84.40±0.10 | 42.20±0.15 | 290 | 290 | 870 |
| 90P | TR3910-MN090M11501 | 88.0±0.30 | 84.40±0.10 | 42.20±0.15 | 290 | 290 | 870 |
| 100P | TR3910-MN100M11501 | 88.0±0.30 | 84.40±0.10 | 42.20±0.15 | 290 | 290 | 870 |



No.4:
封箱, 打包, 贴标签。



No.3:
将内箱装入外箱(3内箱/外箱)
注意统一标签方向



No.2:
将卷盘套上PE-32防水袋,
放入1包干燥剂,
真空机封口后装入内箱,
用封箱胶封装好,并贴上标签。

| 变更 | 日期 | 变更说明 | 变更 | 核准 |
|----------|------------|--------------------------|--------|---------|
| REVISION | DATE | MODIFICATION DESCRIPTION | CHANGE | APPROVE |
| A1 | 2021/07/15 | 修改40PIN包装数量 | 苏珊 | ----- |
| A0 | 2019/08/27 | NEW | 苏珊 | ----- |

| 工程图 | 绘图 | 苏珊 | 2019/12/09 | SCALE | FIT |
|-------------|-------|----|------------|-------|-----|
| ENGINEERING | DRAW | | | | |
| X.X | ±0.30 | 设计 | | UNIT | mm |
| X.XX | ±0.20 | 审核 | | SIZE | A4 |
| X.XXX | ±0.10 | 核准 | | SHEET | 1/1 |
| Angle | ± 2' | 核准 | | PROJ. | ☉ |
| DIM | TOL | 核准 | | | |

WCON ELECTRONICS (GUANGDONG) CO., LTD

料号 PART NO. 3910-PXXX-099MXXWR1

品名 TITLE: 1.27mm SDC 公座 XP SMT
W/T POST&CAP&LOST H=9.9 卷装规范

变更记录

A
B
C
D
E
F
G
H

A
B
C
D
E
F
G
H