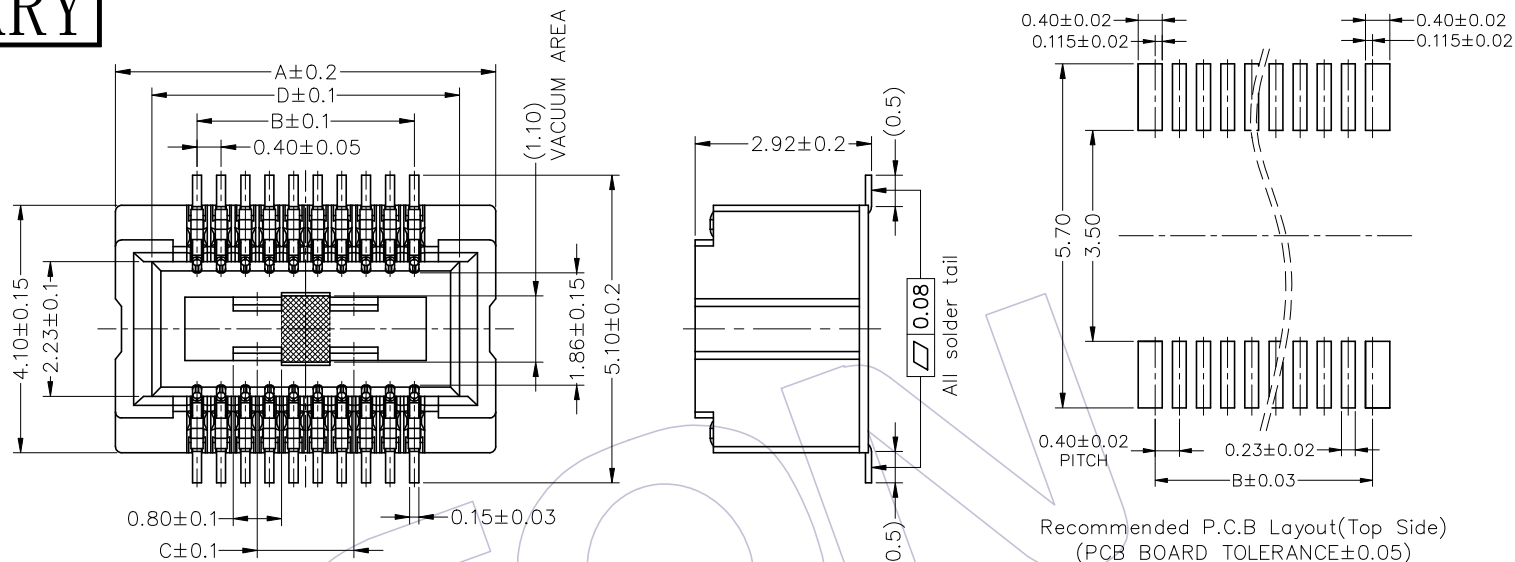


HSF PRELIMINARY

NOTE:
 Rated Current: 0.3A
 Rated Voltage: 30V AC/DC.
 Contact Resistance: 70mΩ Max
 Withstanding Voltage: 150V AC.
 Insulation Resistance: 1000MΩ Min(initial)
 Temperature Range: -55°C ~ +85°C
 IR soldering Peak Temperature: 260±5°C, 5S

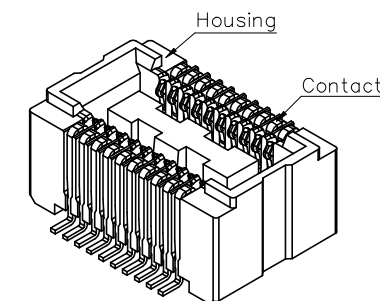
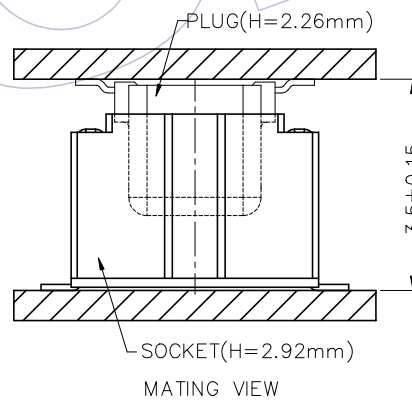
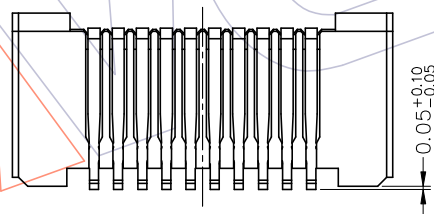
Contact Material: Copper Alloy
 Contact Plating:
 xxu" Gold on contact area(See ordering information), 50u" Nickel underplating
 Overall
 Insulator Material: LCP, G.F, UL94 V-0, BK



Ordering Information

3631- S XXX - 029 M XX R 01

S=Socket
 No. of pins
 020=20Pin; 030=30Pin;
 040=40Pin;
 Socket High:
 029=2.92mm
 M=SMT
 Contact plating:
 G1=3u" GOLD
 G4=15u" GOLD
 Packing:
 R=Tape & Reel



| PIN | A | B | C | D |
|-----|-------|------|------|------|
| 20 | 6.30 | 3.60 | 1.60 | 5.10 |
| 30 | 8.30 | 5.60 | 3.60 | 7.10 |
| 40 | 10.30 | 7.60 | 5.60 | 9.10 |

| REV | DATE | MODIFICATION DESCRIPTION | CHANGE | OPERATION | | DRAW | DATE | SCALE | FIT | PART NO. |
|-----|------|--------------------------|--------|-----------|-------|---------|------------|-------|-----|--|
| | | | | X.X | ±0.40 | | | | | |
| | | | | X.XX | ±0.25 | XueLei | 2022/12/21 | UNIT | mm | 3631-SXXX-029MXXR01 |
| | | | | X.XXX | ±0.15 | CHECK | DATE | SIZE | A4 | TITLE: |
| | | | | Angle | ± 3' | APPROVE | DATE | SHEET | 1/1 | 0.40mm BTB, N Type, Female, SMT Type, H=2.92mm |
| | | | | DIM | TOL | | | PROJ. | ⌀ | Customer NO. |

WCON
 Http: www.wcon.com

WCON-Dongguan Tel: +86 769 85358920 Fax: +86 769 85358915 E-mail: sales@wcon.com
 WCON-Kunshan Tel: +86 512 57468408 Fax: +86 512 57468468 E-mail: salesks@wcon.com