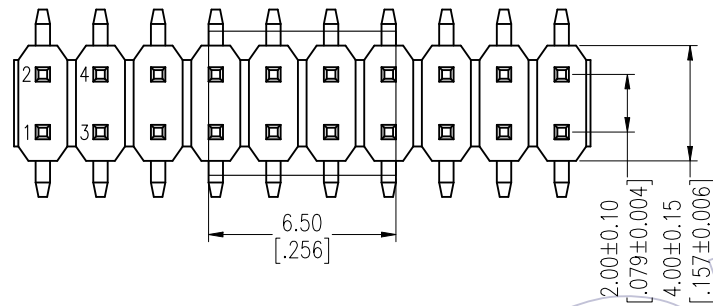


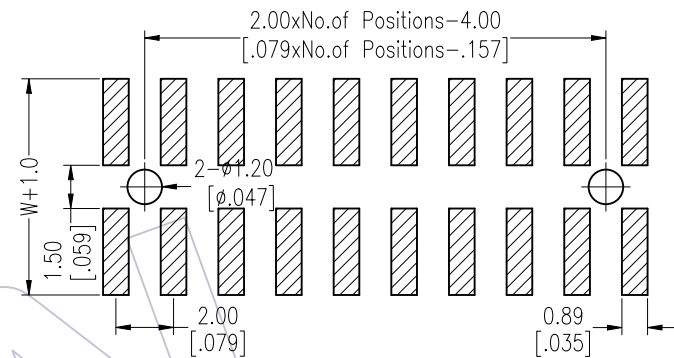
# HSF

NOTES:  
 Rated Current:2.0AMP.  
 Contact Resistance:20mΩ Max.  
 Withstand Voltage:500V AC/DC  
 Insulation Resistance:1000MΩ Min.  
 Operation Temperature:-40°C to +105°C

Contact Material:Brass  
 Contact Plating:Au or Sn Over Ni  
 Insulator Material:PA9T+33%G.F UL94V-O BK



Recommended P.C.B Layout (Top Side)  
 (PCB BOARD TOLERANCE±0.05)

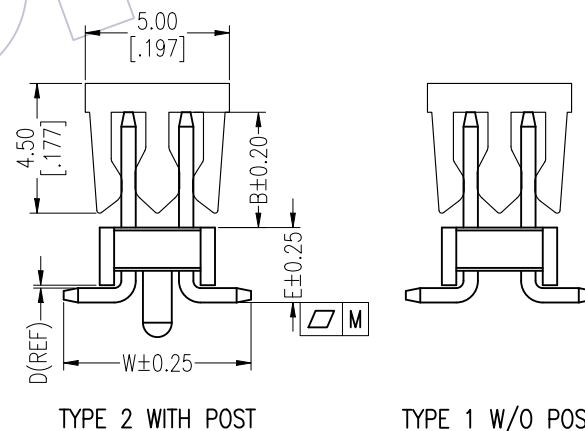
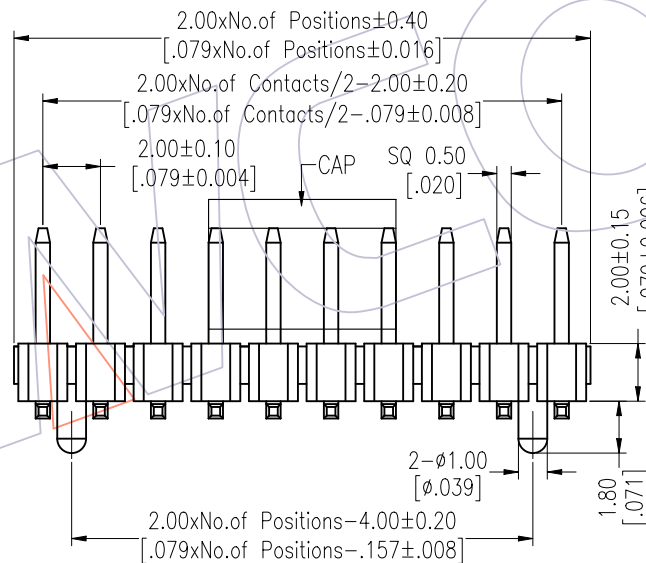


## Ordering Information

1220-12 XX XX M XXX C R XX



No. of Pins Per Row:02-40	Contact Plating G0=Gold Flash G3=10u"Gold G4=15u"Gold G5=30u"Gold S0=Gold Flash/Tin S3=10u"Gold/Tin S4=15u"Gold/Tin S5=30u"Gold/Tin SN=Tin SM=Matte Tin	Pin Length L=B+D+2.0+ $\frac{W^2}{2}$ Standard:063=6.3 073=7.3 083=8.3	Insulator Material C=PA9T	Packing T=Tube P=Tube+CAP R=Tape&Reel+CAP	Series No. 01-99
------------------------------	---	--	------------------------------	--	---------------------



Item	Pin Length	W	E	B	Mating
Standard	6.30	6.50	2.60	2.00	2220T 2221 2227T 2228
	7.30	6.50	2.60	3.00	2235
	8.30	6.50	2.60	4.00	2240 2243 2263 2272
Alternate					

PIN(PerRow)	2-15P	16-25P	26-40P
M	0.10	0.15	0.18

REV	DATE	MODIFICATION DESCRIPTION	CHANGE	OPERATION	DRAW	DATE	SCALE	Fit	PART NO.
A2	2023/02/02	Add Flatness	$\Delta 2$	Duffing	X.X ±0.40	2023/02/02	UNIT	mm	1220-12XXXXMXXRCRXX $\Delta 1$
A1	2018/01/18	Modify P/N	$\Delta 1$	Liu	X.XX ±0.25	DATE	SIZE	A4	TITLE: PH2.00 DUAL ROW SMT H=2.0
A0	2012/04/26	NEW	-----	-----	X.XXX ±0.15	DATE	SHEET	1/1	Customer NO.
					Angle ± 3'	DATE	PROJ.		
					DIM TOL				

# WCON

Http: www.wcon.com

WCON-Dongguan Tel: +86 769 85358920 Fax: +86 769 85358915 E-mail: sales@wcon.com  
 WCON-Kunshan Tel: +86 512 57468408 Fax: +86 512 57468468 E-mail: salesks@wcon.com