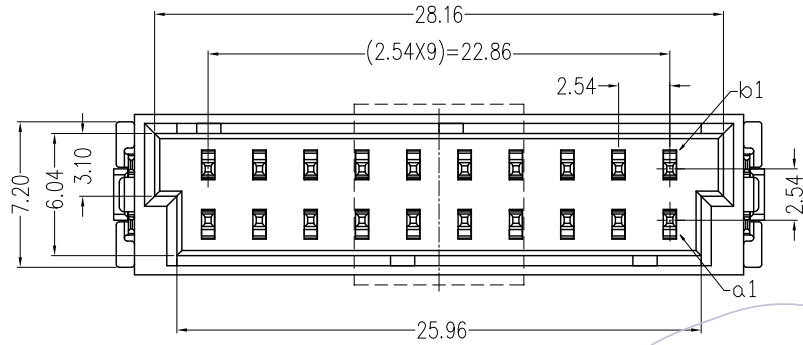
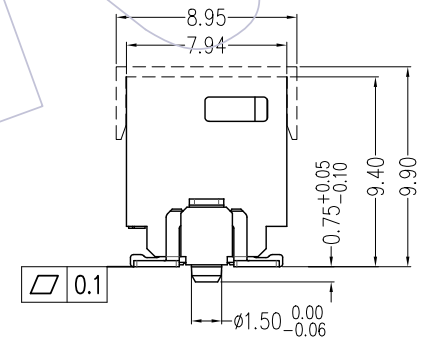
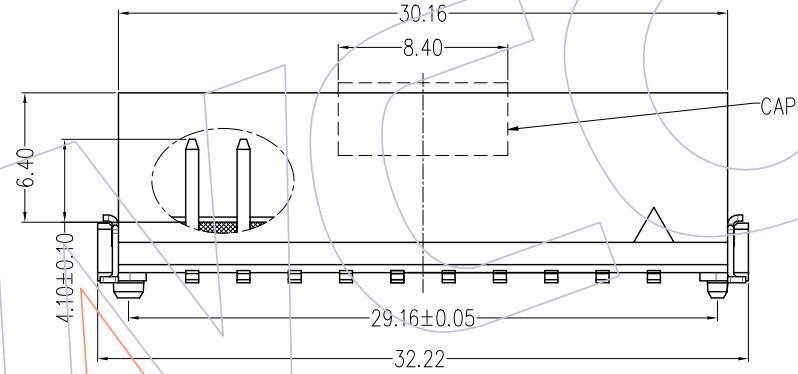
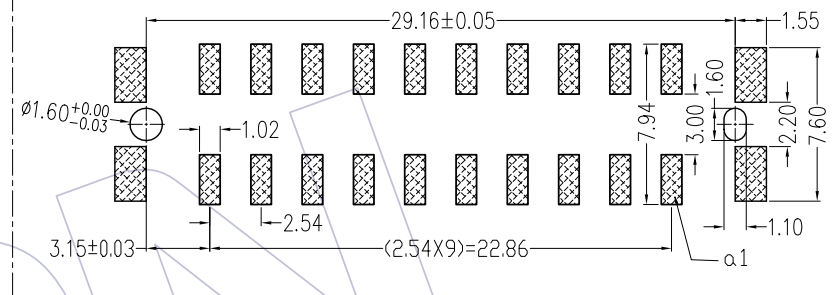


- NOTES:
 1.No.of Positions:20 Pin
 2.Rated Current:12.0 A Max;
 3.Contact Resistance: 20mΩ Max;
 4.Withstand Voltage: 2000V AC;
 5.Insulation Resistance:1000MΩ Min ;
 6.Operation Temperature:-55℃ to +150℃ ;
 7.Housing Material: LCP
 8.Contact Material:Copper Alloy ;
 9.Contact Plating: Au over Ni ;



Recommended P.C.B Layout(Top Side)
 (PCB BOARD TOLERANCE±0.05)

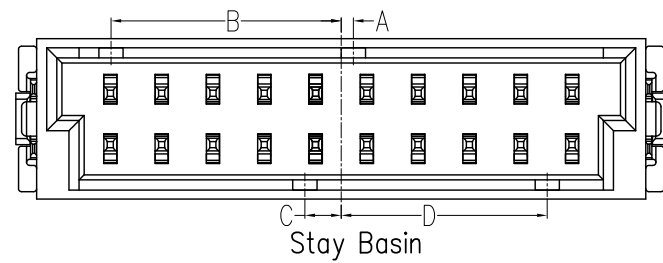


Ordering Information

3915-P 20-2 M XX W D X R 1

Contact Plated:
 W3=Sel. 10u" Au/Matte Sn
 W4=Sel. 15u" Au/Matte Sn
 W5=Sel. 30u" Au/Matte Sn

Color:
 B=BLACK
 U=BLUE
 G=GREEN
 R=RED



PART NO.	COLOR	防呆尺寸			
		A	B	C	D
3915-P20-2MXXWDBR1	BLACK	0.6	11.4	1.8	10.2
3915-P20-2MXXWDUR1	BLUE	1.8	10.2	3.6	8.4
3915-P20-2MXXWDGR1	GREEN	3.6	8.4	5.4	6.6
3915-P20-2MXXWDRR1	RED	5.4	6.6	0.6	11.4

REV	DATE	MODIFICATION DESCRIPTION	CHANGE	OPERATION		DRAW Ding	DATE	SCALE	FIT	PART NO.	TITLE:	WCON	
				x.x	±0.40							UNIT	mm
				x.xx	±0.25	CHECK	2019/05/22		A4	3915-P20-2MXXWDXR1	LSC Connector - Dual Row 180° SMT Plug (20 PIN)	WCON-Dongguan	WCON-Kunshan
				x.xxx	±0.15	APPROVE			1/1			Tel: +86 769 85358920	Tel: +86 512 57468408
				Angle	± 3'				PROJ.		Customer NO.	Fax: +86 769 85358915	Fax: +86 512 57468468
				DIM	TOL							E-mail: sales@wcon.com	E-mail: salesks@wcon.com