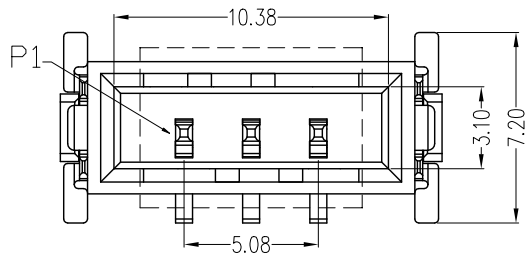
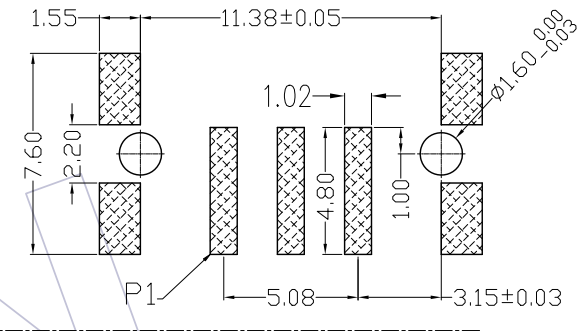


- NOTES:  
 1.No.of Positions:3 Pin  
 2.Rated Current:12.0 A Max;  
 3.Contact Resistance: 20mΩ Max;  
 4.Withstand Voltage: 2000V AC;  
 5.Insulation Resistance:1000MΩ Min ;  
 6.Operation Temperature: -55℃ to +150℃ ;  
 7.Housing Material: LCP  
 8.Contact Material:Copper Alloy ;  
 9.Contact Plating: Au over Ni ;



Recommended P.C.B Layout(Top Side)  
 (PCB BOARD TOLERANCE±0.05)

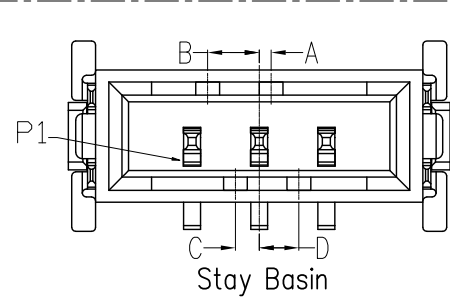
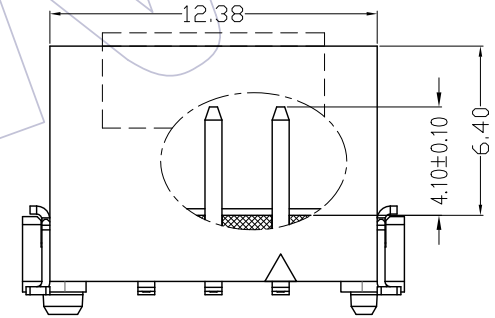
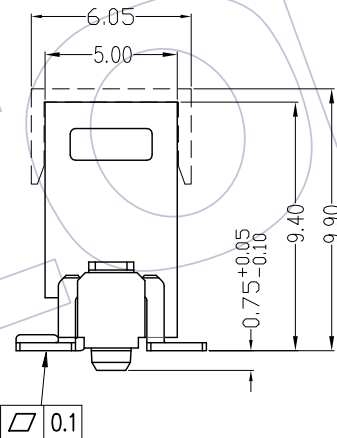
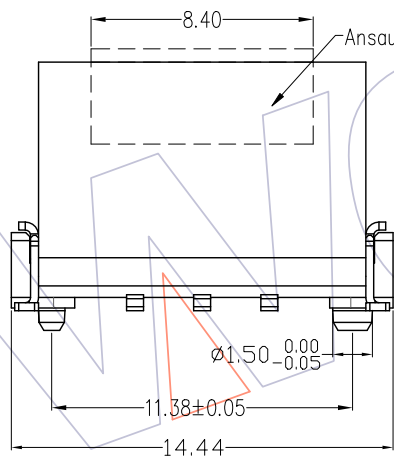


**Ordering Information**


3915-P 03-1 M XX W D X R 1

Contact Plated:  
 W3=10u" Gold /Matte Sn  
 W4=15u" Gold /Matte Sn  
 W5=30u" Gold /Matte Sn

Color:  
 B=BLACK  
 U=BLUE  
 G=GREEN  
 R=RED



PART NO.	COLOR	防呆尺寸			
		A	B	C	D
3915-P03-1MXXWDBR1	BLACK	0.45	1.95	0.9	1.5
3915-P03-1MXXWDUR1	BLUE	1.35	1.05	1.8	0.6
3915-P03-1MXXWDGR1	GREEN	2.25	0.15	2.7	0.3
3915-P03-1MXXWDRR1	RED	3.15	0.75	3.6	1.2

				OPERATION	DRAW	DATE	SCALE	FIT	PART NO.	 Http: www.wcon.com WCON-Dongguan Tel: +86 769 85358920 WCON-Kunshan Tel: +86 512 57468408 Fax: +86 769 85358915 Fax: +86 512 57468468 E-mail: sales@wcon.com E-mail: salesks@wcon.com
				x.x ±0.40	Ding	2019/07/05	UNIT	mm	3915-P03-1MXXWDXR1	
				x.xx ±0.25	CHECK	DATE	SIZE	inch	TITLE:	
				x.xxx ±0.15	APPROVE	DATE	SHEET	A4	LSC Connector - Single Row	
A0	2019/07/05	NEW		Angle ± 3'			PROJ.	1/1	180° SMT Plug (3 PIN)	
REV	DATE	MODIFICATION DESCRIPTION	CHANGE	DIM TOL					Customer NO.	