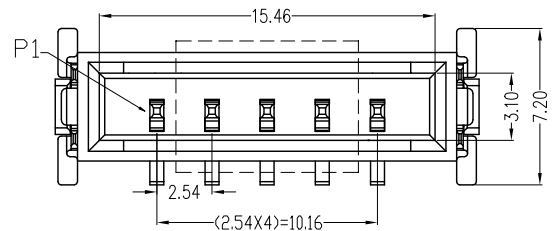
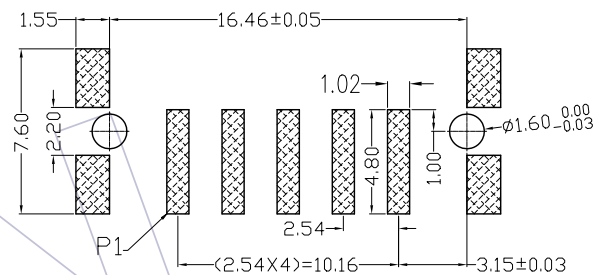


NOTES:

- 1.No.of Positions: 5 Pin
- 2.Rated Current:12.0 A Max;
- 3.Contact Resistance: 20mΩ Max;
- 4.Withstand Voltage: 2000V AC;
- 5.Insulation Resistance:1000MΩ Min ;
- 6.Operation Temperature:-55℃ to +150℃ ; P1
- 7.Housing Material: LCP
- 8.Contact Material: Copper Alloy ;
- 9.Contact Plating: Au over Ni ;



Recommended P.C.B Layout(Top Side)
(PCB BOARD TOLERANCE±0.05)

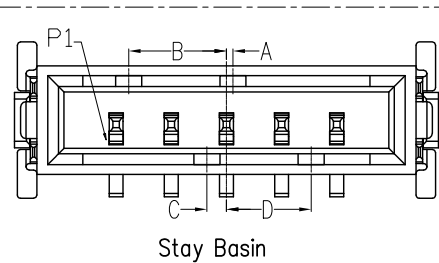
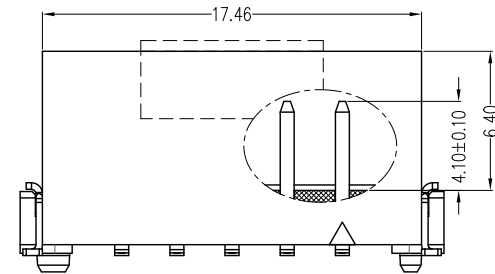
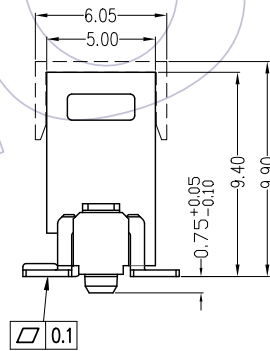
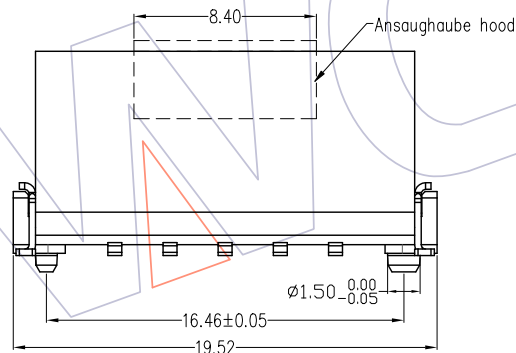


Ordering Information

3915-P 05-1 M XX W D X R 1

Contact Plated:
W3=10u" Gold /Matte Sn
W4=15u" Gold /Matte Sn
W5=30u" Gold /Matte Sn

Color:
B=BLACK
U=BLUE
G=GREEN
R=RED



PART NO.	COLOR	防呆尺寸			
		A	B	C	D
3915-P05-1MXXWDBR1	BLACK	0.3	4.5	0.9	3.9
3915-P05-1MXXWDUR1	BLUE	1.5	3.3	2.1	2.7
3915-P05-1MXXWDGR1	GREEN	2.7	2.1	3.3	1.5
3915-P05-1MXXWDRR1	RED	3.9	0.9	4.5	0.3

REV	DATE	MODIFICATION DESCRIPTION	CHANGE	OPERATION		DRAW Ding	DATE 2019/07/05	SCALE UNIT	FIT mm inch	PART NO. 3915-P05-1MXXWDXR1	TITLE: LSC Connector - Single Row 180° SMT Plug (5 PIN)	WCON	
				X.X	±0.40							Http: www.wcon.com	
A0	2019/07/05	NEW		X.XX	±0.25	CHECK	DATE	SIZE	A4	Customer NO.	WCON-Dongguan Tel: +86 769 85358920 Fax: +86 769 85358915 E-mail: sales@wcon.com	WCON-Kunshan Tel: +86 512 57468408 Fax: +86 512 57468468 E-mail: sales@wcon.com	
				X.XXX	±0.15	APPROVE	DATE	SHEET	1/1				
				Angle	± 3'			PROJ.					