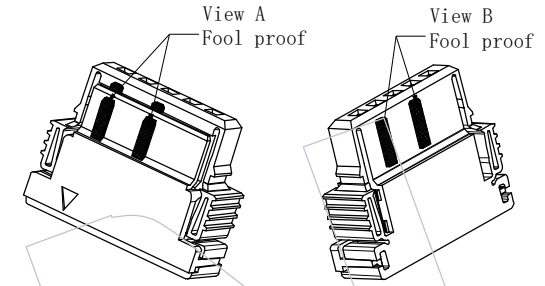
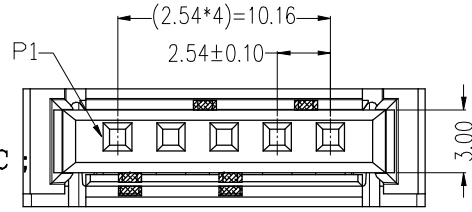
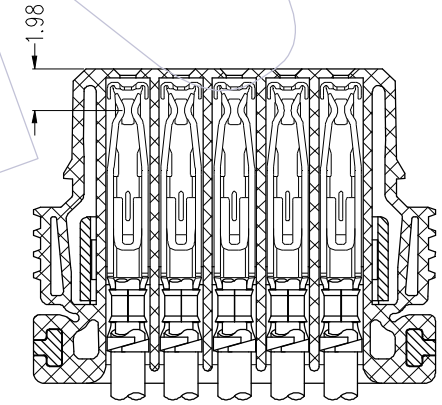


NOTES:

- 1.No.of Positions: 5 Pin
- 2.Withstand Voltage: 2000V AC; $\triangle$
- 3.Insulation Resistance: 1000M $\Omega$  Min ;
- 4.Operation Temperature: -55 $^{\circ}$ C to +125 $^{\circ}$ C
- 5.Housing Material: PA46



Fool proof diagram

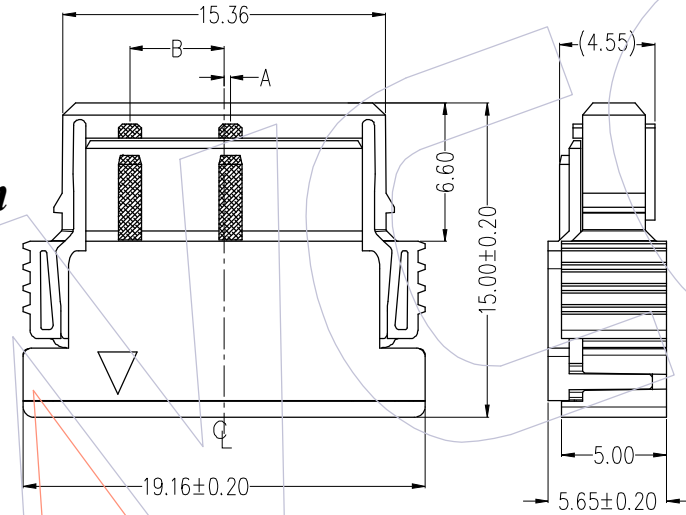


Terminal diagram

## Ordering Information

3915-S 05-1 C 00 G E X A 1

Color:  
B=BLACK  
U=BLUE  
G=GREEN  
R=RED



PART NO.	COLOR	防呆尺寸			
		A	B	C	D
3915-S05-1C00GEB A1	BLACK	0.3	4.5	0.9	3.9
3915-S05-1C00GEU A1	BLUE	1.5	3.3	2.1	2.7
3915-S05-1C00GEG A1	GREEN	2.7	2.1	3.3	1.5
3915-S05-1C00GER A1	RED	3.9	0.9	4.5	0.3

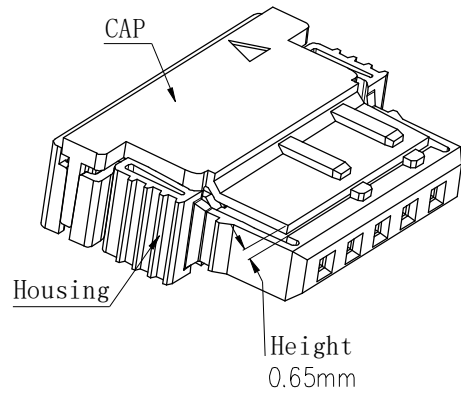
REV	DATE	MODIFICATION DESCRIPTION	CHANGE	OPERATION	DRAW	DATE	SCALE	FIT	PART NO.
A2	2022/09/05	Modified Withstand Voltage	—	x.x ±0.40	GH	2022/09/05	UNIT	mm	3915-S05-1C00GEXA1
A1	2022/07/22	Terminal Add Fool Proof	—	x.xx ±0.25	CHECK	DATE	inch		
A0	2019/07/05	NEW	—	x.xxx ±0.15	APPROVE	DATE	SIZE	A4	TITLE:
				Angle ± 3°					
				DIM TOL			SHEET	1/2	Customer NO.
							PROJ.		

# WCON

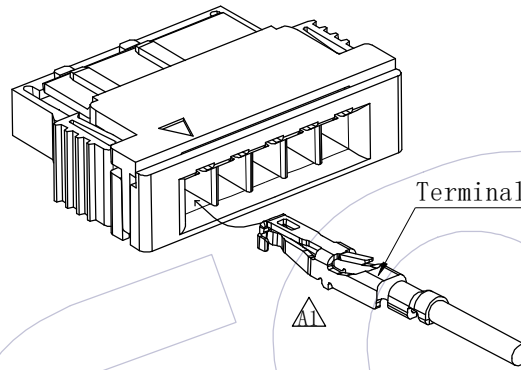
Http: www.wcon.com

WCON-Dongguan Tel: +86 769 85358920 Fax: +86 769 85358915 E-mail: sales@wcon.com	WCON-Kunshan Tel: +86 512 57468408 Fax: +86 512 57468468 E-mail: salesks@wcon.com
---	--

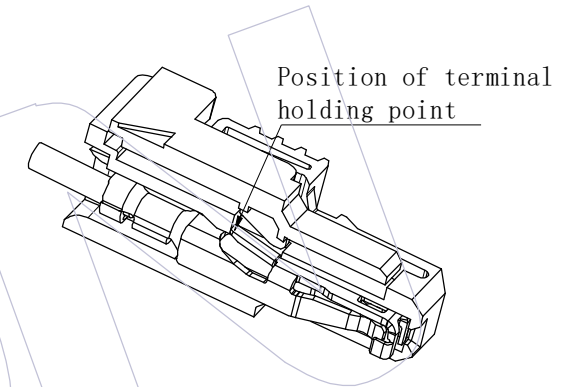
# Instructions:



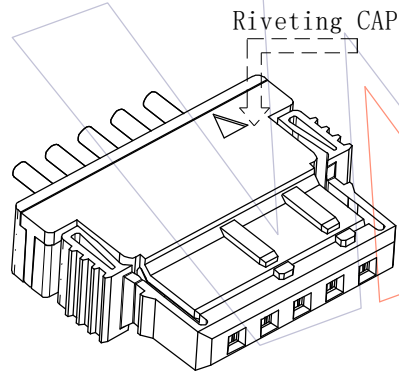
Cover loose mounted



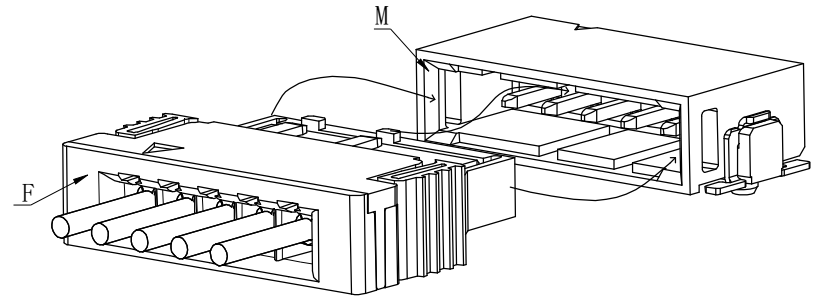
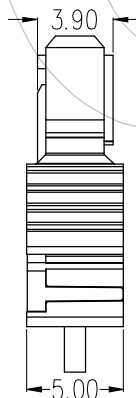
Inserted Female Terminal



Internal structure diagram



Riveting diagram



Male/Female Mate

REV	DATE	MODIFICATION DESCRIPTION	CHANGE	OPERATION	DRAW	DATE	SCALE	FIT	PART NO.
A2	2022/09/05	Modified Withstand Voltage	—	x.x ±0.40	GH	2022/09/05	UNIT	mm	3915-S05-1C00GEXA1
A1	2022/07/22	Terminal Add Fool Proof	—	x.xx ±0.25	CHECK	DATE	inch	TITLE:	
A0	2019/07/05	NEW	—	x.xxx ±0.15	APPROVE	DATE	SIZE	A4	LSC Connector - Single Row Socket Crimp type (5 PIN)
				Angle ± 3°			SHEET	2/2	Customer NO.
				DIM TOL			PROJ.		

**WCON**

Http: [www.wcon.com](http://www.wcon.com)

WCON-Dongguan Tel: +86 769 85358920 Fax: +86 769 85358915 E-mail: <a href="mailto:sales@wcon.com">sales@wcon.com</a>	WCON-Kunshan Tel: +86 512 57468408 Fax: +86 512 57468468 E-mail: <a href="mailto:salesks@wcon.com">salesks@wcon.com</a>
---	--