

HSF

NOTES:

- 1.Current Rating: 8.0A Max AT 20°C;
- 2.Contact Resistance: 20mΩ Max;
- 3.Withstand Voltage: 1600V AC;
- 4.Insulation Resistance: 1000MΩ Min;
- 5.Operating Temperature: -40°C to +125°C;
- 6.Insulator Material: LCP,G.F,UL94V-O,NATURAL & BK;
- 7.Contact Material: Copper Alloy;
- 8.Contact plating:
SM: 100μ" Matte TIN Over 50μ" Nickel;
WX: xxμ" Gold on contact area (See ordering information),
100μ" Matte TIN on solder area,
50μ" Nickel underplating overall;
- 9.Recommended process:
IR soldering,Peak temperature: 260±5°C, 5s ;

Ordering Information

3918-P XX-1 M XX W D X R 1

P=Plug

No. of Pins:

- 02=2P; 03=3P;
- 04=4P; 05=5P;
- 06=6P; 08=8P;
- 10=10P; 12=12P;

1=Single Row

M=SMT

Contact Plating:

- SM=Matte Sn
- W0=Gold FLASH/Matte Tin
- W3=10μ" Gold/Matte Tin
- W5=30μ" Gold/Matte Tin

W=WITH GUIDE PIN AND FIXATOR

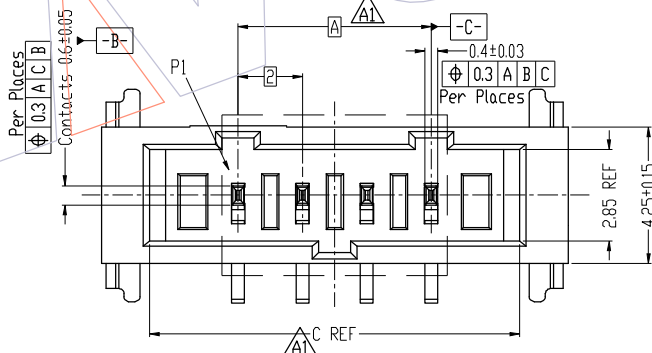
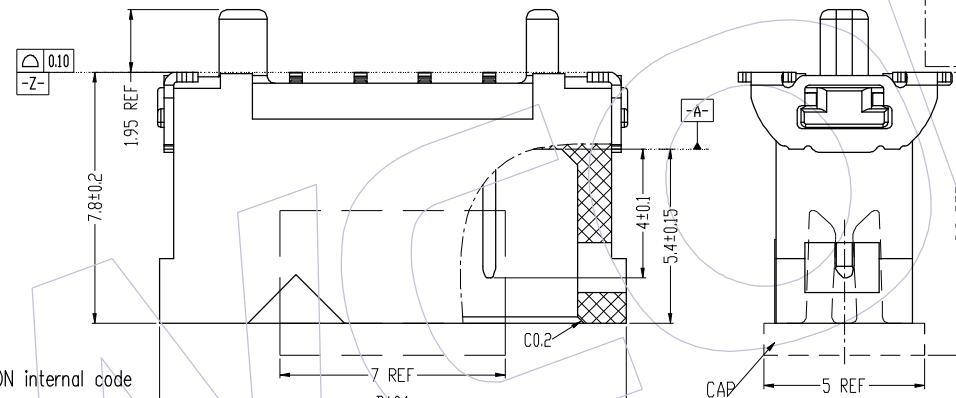
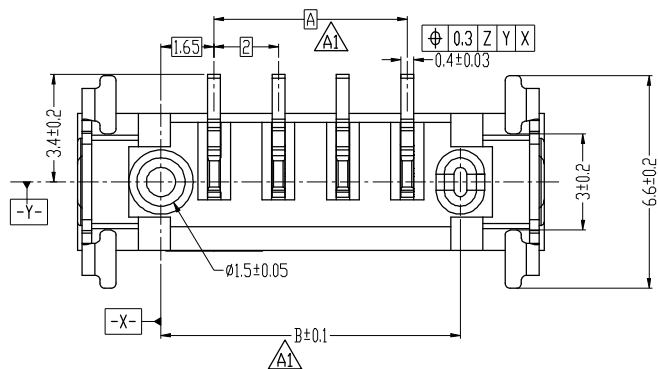
D=LCP

WCON internal code

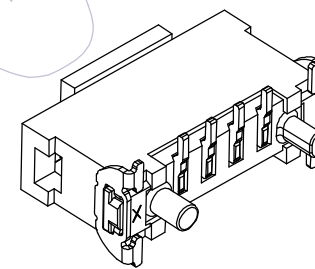
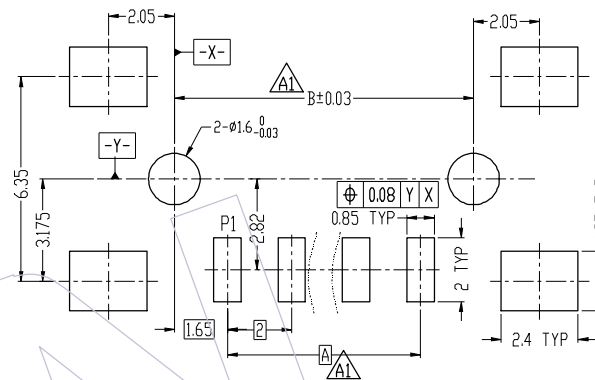
R=Reel

Color:
T=Natural
B=Black

Per Places
Contacts: 0.6±0.05



Recommended P.C.B Layout(Top Side)
(PCB BOARD TOLERANCE±0.05)



PIN	A	B	C	D
2	2.0	5.3	7.5	10.5
3	4.0	7.3	9.5	12.5
4	6.0	9.3	11.5	14.5
5	8.0	11.3	13.5	16.5
6	10.0	13.3	15.5	18.5
8	14.0	17.3	19.5	22.5
10	18.0	21.3	23.5	26.5
12	22.0	25.3	27.5	30.5

REV	DATE	MODIFICATION DESCRIPTION	CHANGE	OPERATION		DRAW	DATE	SCALE	FIT	PART NO.
				x.x	±0.40					
A1	2022. 06. 28	Corrected dimensioning	OHJ	x.xx	±0.25	Houfu Peng	2022. 06. 28	UNIT	mm	3918-PXX-1MXXWDXR1
A0	2022. 03. 02	NEW		x.xxx	±0.15	CHECK	DATE	SIZE	A4	TITLE: 2.0mm BSC Series Single Row Male 180° SMT Type
				Angle	± 3'	APPROVE	DATE	SHEET	1/1	Customer NO.
				DIM	TOL			PROJ.		

WCON

Http: www.wcon.com

WCON-Dongguan Tel: +86 769 85358920
WCON-Kunshan Tel: +86 512 57468408
Fax: +86 769 85358915
Fax: +86 512 57468468
E-mail: sales@wcon.com
E-mail: salesks@wcon.com