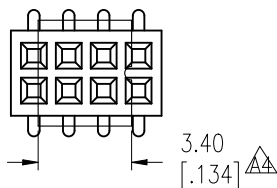


HSF

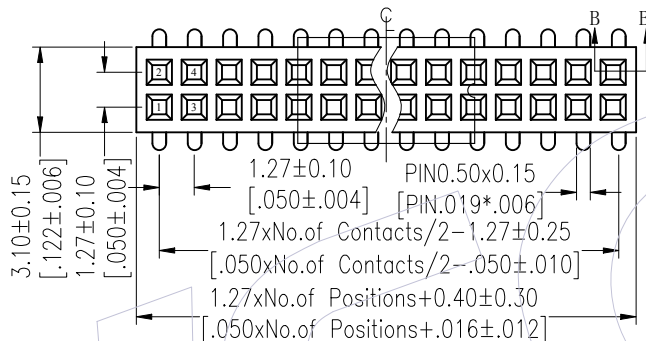
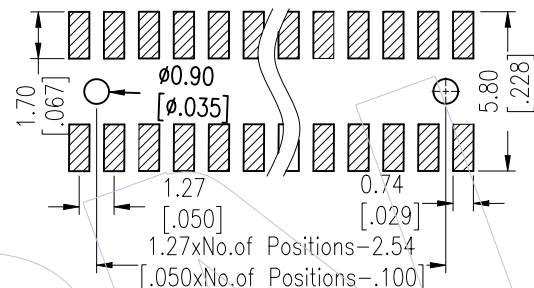
NOTES:
 Current Rating: 1.0AMP
 Contact Resistance: 20mΩ Max
 Withstand Voltage: 500V AC
 Insulation Resistance: 1000MΩ Min
 Operation Temperature: -40°C to +105°C

Contact Material: Phosphor Bronze
 Contact plating: Au Or Sn over Ni
 Insulator Material: PA9T+33%G.F UL94V-0



Special CAP for 2*2P,2*3P,2*4P

Recommended P.C.B Layout(Top Side)
 (PCB BOARD TOLERANCE ±0.05)



Ordering Information

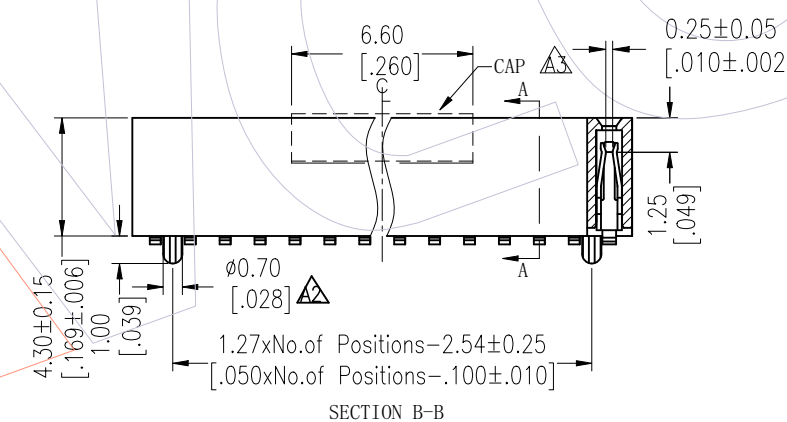
2344-2 XX M XX CUN X X

No. of Pins per Row: 02-50Pin

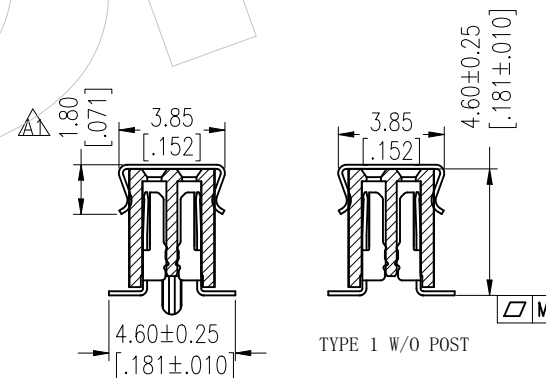
Contact Plating:
 G0=Gold Flash
 G3=10μ"Gold
 G4=15μ"Gold
 G5=30μ"Gold
 S0=Gold Flash/Tin
 S3=10μ"Gold/Tin
 S4=15μ"Gold/Tin
 S5=30μ"Gold/Tin
 SN=Tin

Packing:
 T=Tube
 P=Tube+CAP
 R=Tape&Reel+CAP

Series No.
 1=Type 1
 2=Type 2



SECTION B-B



TYPE 2 WITH POST

SECTION A-A

Item	Pitch	Mating
Standard	1.27	1310/1315/1320/3131/3133/3100
Alternate		



△A5	Pin(Per Row)	2-15P	16-30P	31-50P
	M	0.10	0.15	0.18

TITLE	PART NO.
TYPE 1	2344-2XXMXXCUNX1
TYPE 2	2344-2XXMXXCUNX2

REV	DATE	MODIFICATION DESCRIPTION	CHANGE	OPERATION	DRAW	DATE	SCALE	FIT	PART NO.
A5	2023/02/03	Modify Flatness			XSR	2023/02/03	UNIT	mm	SEE TABLE
A4	2016/06/17	Modify CAP 3.00 → 3.40		X.X ±0.40	CHECK	DATE	SIZE	A4	TITLE:
A3	2014/12/30	Modify CAP		X.XX ±0.25	APPROVE	DATE	SHEET	1/1	1.27mm Female Header DUAL ROW
A0	2012/07/09	NEW		X.XXX ±0.15	DATE	DATE	PROJ.	1/1	180'SMT H=4.30
				Angle ± 3°					Customer NO.
				DIM TOL					

WCON

Http: www.wcon.com

WCON-Dongguan
 Tel: +86 769 85358920
 Fax: +86 769 85358915
 E-mail: sales@wcon.com

WCON-Kunshan
 Tel: +86 512 57468408
 Fax: +86 512 57468468
 E-mail: salesks@wcon.com