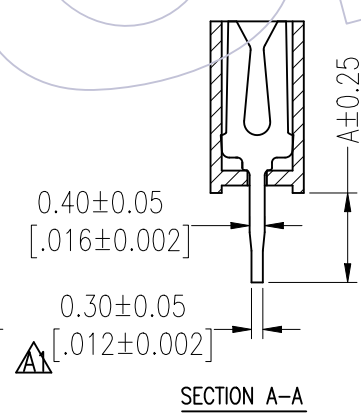
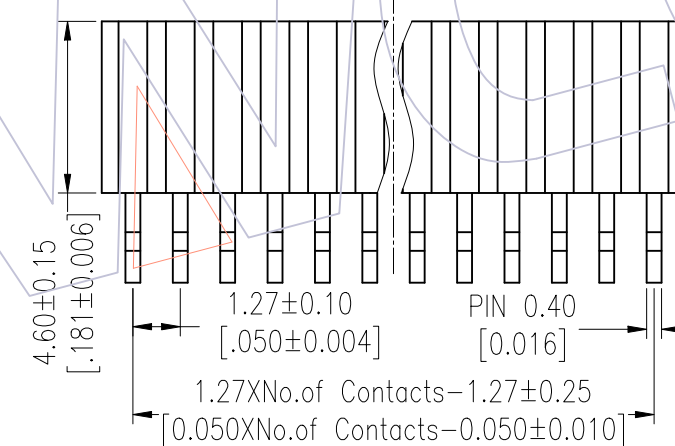
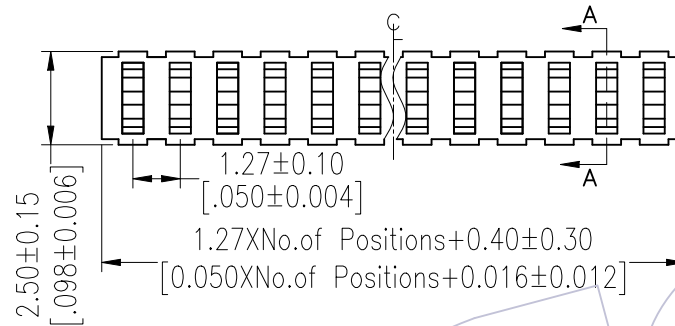
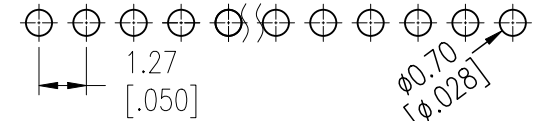


# HSF

NOTES:  
 Current Rating: 1.0AMP  
 Contact Resistance: 20mΩ Max  
 Withstand Voltage: 500V AC/DC  
 Insulation Resistance: 1000MΩ Min  
 Operation Temperature: -40°C to +105°C

Contact Material: Phosphor Bronze  
 Contact plating: Au over Ni  
 Insulator Material: PA9T+30%GF UL94V-0

Recommended P.C.B Layout(Top Side)  
 (PCB BOARD TOLERANCE±0.05)



## Ordering Information

2346-1 XX S XX CYN T X

No. of Pins per Row: 02-50Pin

Contact Plating:  
 G0=Gold Flash  
 G3=10μ"Gold  
 G4=15μ"Gold  
 G5=30μ"Gold

Packing:  
 T=Tube

Series No.  
 1=DIP:1.6  
 2=DIP:2.4  
 3=DIP:3.0

Item	Pitch	Mating
Standard	1.27	1317/1325
Alternate		

DIM	PART NO.
A=1.6	2346-1XXSXXCYNT1
A=2.4	2346-1XXSXXCYNT2
A=3.0	2346-1XXSXXCYNT3

REV	DATE	MODIFICATION DESCRIPTION	CHANGE	OPERATION	DRAW	DATE	SCALE	FIT	PART NO.
				X.X ±0.40	Wang	2013/11/08	UNIT mm		SEE TABLE
A1	2013/11/08	Add DIM:0.30	-----	X.XX ±0.25	CHECK	DATE	SIZE A4		TITLE: FH1.27mm SINGLE ROW 180° DIP H=4.60
A0	2012/07/10	NEW	-----	X.XXX ±0.15			SHEET 1/1		Customer NO.
				Angle ± 3°	APPROVE	DATE	PROJ.		
				DIM TOL					

**WCON**  
 Http: www.wcon.com  
 WCON-Dongguan Tel: +86 769 85358920  
 WCON-Kunshan Tel: +86 512 57468408  
 Fax: +86 769 85358915  
 Fax: +86 512 57468468  
 E-mail: sales@wcon.com  
 E-mail: salesks@wcon.com