

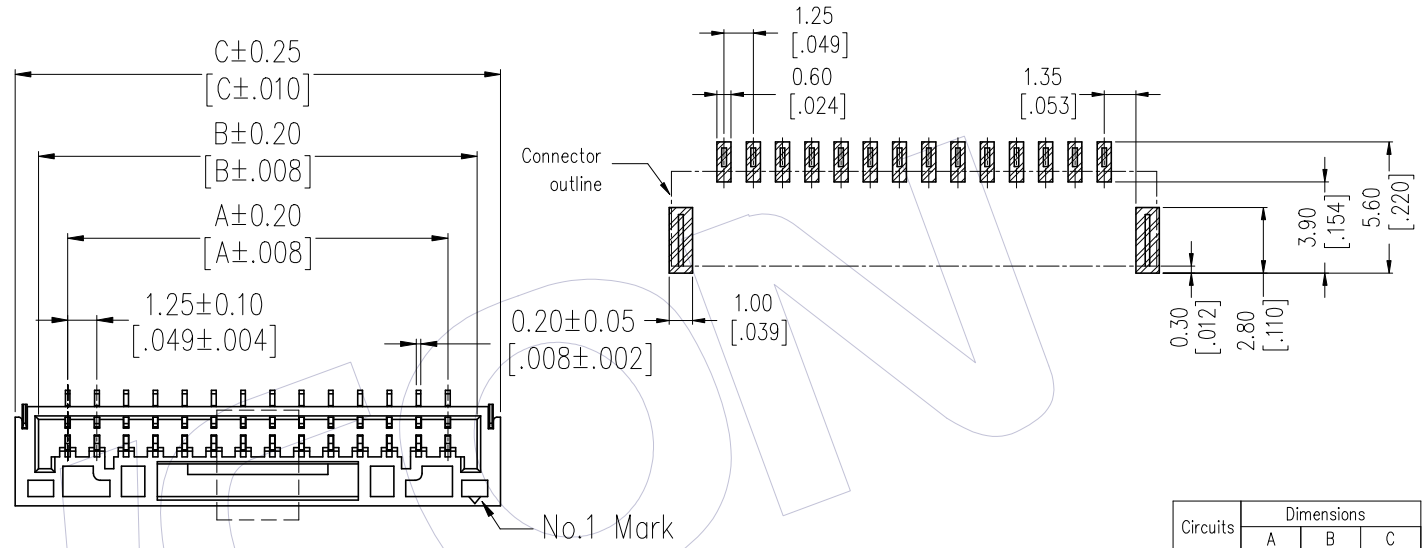
# HSF

**NOTES:**

Current Rating: 1.0A  
 Contact Resistance: 30mΩ Max  
 Withstand Voltage: 500V AC/Minute  
 Insulation Resistance: 100MΩ Min  
 Operation Temperature: -40℃ to +105℃

Housing Material: PA9T+33%GF UL94V-0  
 Contact Material: Phosphor Bronze  
 Solder Tab Material: Brass  
 Contact plating: Matte Sn over Ni

RECOMMENDED PCB LAYOUT  
 TOLERANCE IS ±0.05

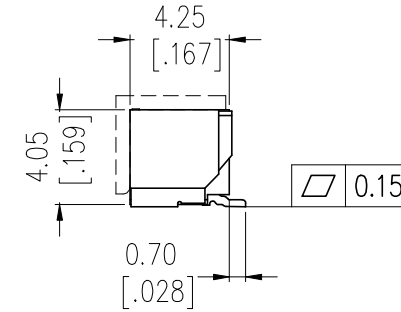
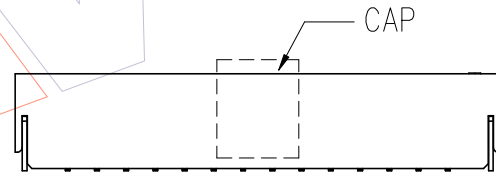


| Circuits | Dimensions |       |       |
|----------|------------|-------|-------|
|          | A          | B     | C     |
| 2        | 1.25       | 3.75  | 5.75  |
| 3        | 2.50       | 5.00  | 7.00  |
| 4        | 3.75       | 6.25  | 8.25  |
| 5        | 5.00       | 7.50  | 9.50  |
| 6        | 6.25       | 8.75  | 10.75 |
| 7        | 7.50       | 10.00 | 12.00 |
| 8        | 8.75       | 11.25 | 13.25 |
| 9        | 10.00      | 12.50 | 14.50 |
| 10       | 11.25      | 13.75 | 15.75 |
| 11       | 12.50      | 15.00 | 17.00 |
| 12       | 13.75      | 16.25 | 18.25 |
| 13       | 15.00      | 17.50 | 19.50 |
| 14       | 16.25      | 18.75 | 20.75 |
| 15       | 17.50      | 20.00 | 22.00 |

## Ordering Information

### WF1256 - WM XX E R 1

Terminal shape:    No.of Pins :    Packing:  
 WM:Wafer 180°SMT    2P~15P    R=Tape&Reel+CAP



| REV | DATE       | MODIFICATION DESCRIPTION | CHANGE | OPERATION   | DRAW    | DATE       | SCALE | FIT       | PART NO.            |
|-----|------------|--------------------------|--------|-------------|---------|------------|-------|-----------|---------------------|
|     |            |                          |        | X.X ±0.40   | HUJJ    | 2022.01.14 | UNIT  | mm [inch] | WF1256-WMXXER1      |
|     |            |                          |        | X.XX ±0.25  | CHECK   | DATE       | SIZE  | A4        | TITLE:              |
|     |            |                          |        | X.XXX ±0.15 |         |            | SHEET | 1/2       | 1.25 WAFER 180° SMT |
| AO  | 2022.01.14 | NEW                      | -----  | Angle ± 3°  | APPROVE | DATE       | PROJ. | ⌀         | Customer NO.        |
|     |            |                          |        | DIM TOL     |         |            |       |           |                     |

# WCON

Http: www.wcon.com

WCON-Dongguan    WCON-Kunshan  
 Tel: +86 769 85358920    Tel: +86 512 57468408  
 Fax: +86 769 85358915    Fax: +86 512 57468468  
 E-mail: sales@wcon.com    E-mail: salesks@wcon.com