

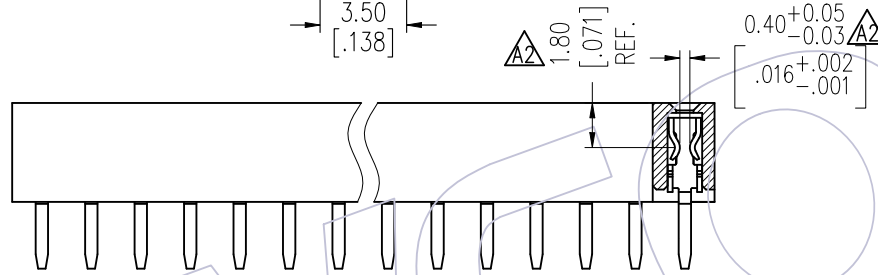
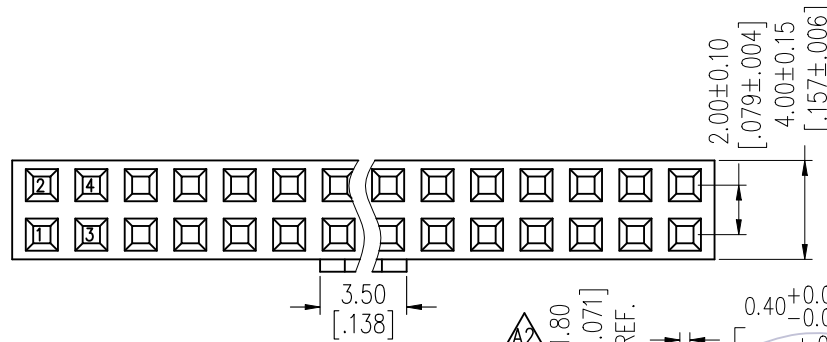
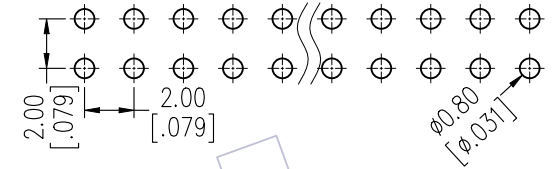
HSF

NOTES:

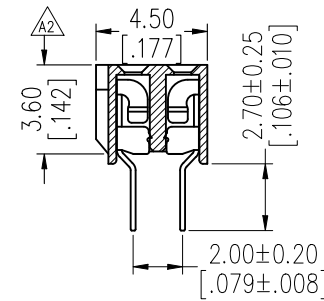
Current Rating: 2.0AMP
 Contact Resistance: 20mΩ Max
 Withstand Voltage: 500V AC/DC
 Insulation Resistance: 1000MΩ Min Δ
 Operation Temperature: -40°C to +125°C(Au)
 -40°C to +105°C(Sn)

Contact Material: Phosphor Bronze
 Contact plating: Au Or Sn over Ni
 Insulator Material: PA9T+33%GF UL94V-0

Recommended P.C.B Layout(Top Side)
 (PCB BOARD TOLERANCE±0.05)



Δ TYPE 1=W/O BUMP

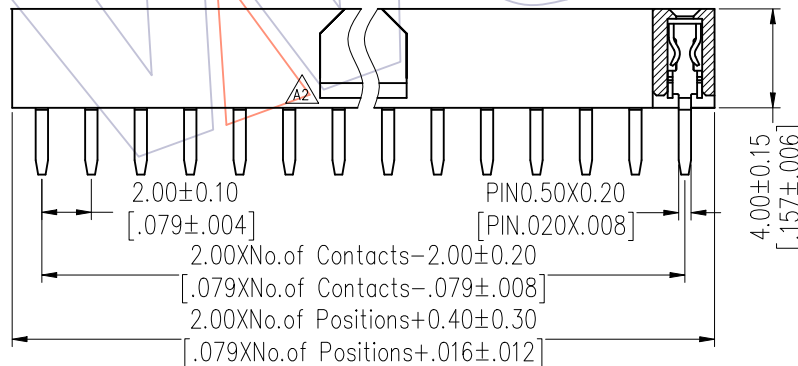


Δ TYPE 2= WITH BUMP

Ordering Information

2240N - 2 XX S XX CUNT X

No. of Pins per ROW: 02-40PIN
 Contact Plating: G0=Gold Flash, G3=10μ"Gold, G4=15μ"Gold, G5=30μ"Gold, S0=Gold Flash/Tin, S3=10μ"Gold/Tin, S4=15μ"Gold/Tin, S5=30μ"Gold/Tin, SN=Tin, SM=Matte Tin
 Packing: T=Tube
 Series No.: 1=TYPE1, 2=TYPE2



Item	Pitch	Mating
Standard	2.00	1215/1220
Alternate		

TITLE	PART NO.
TYPE 1	2240N-2XXSXXCUNT1
TYPE 2	2240N-2XXSXXCUNT2

REV	DATE	MODIFICATION DESCRIPTION	CHANGE	OPERATION	DRAW XSR	DATE	SCALE	FIT	PART NO. SEE TABLE
A2	2019/11/11	Modify Drawing	-----	x.x ±0.40	CHECK	2019/11/11	UNIT mm		TITLE: FH2.00 DUAL ROW 180'DIP H=4.0 W=4.0 WITH BUMP
A1	2014/05/15	Modify drawing	-----	x.xx ±0.25	CHECK	DATE	SIZE A4		
A0	2012/07/13	NEW	-----	x.xxx ±0.15	APPROVE	DATE	SHEET 1/1		
REV	DATE	MODIFICATION DESCRIPTION	CHANGE	Angle ± 3°	APPROVE	DATE	PROJ.	Customer NO.	

WCON
 Http: www.wcon.com
 WCON-Dongguan Tel: +86 769 85358920 Fax: +86 769 85358915 E-mail: sales@wcon.com
 WCON-Kunshan Tel: +86 512 57468408 Fax: +86 512 57468468 E-mail: salesks@wcon.com