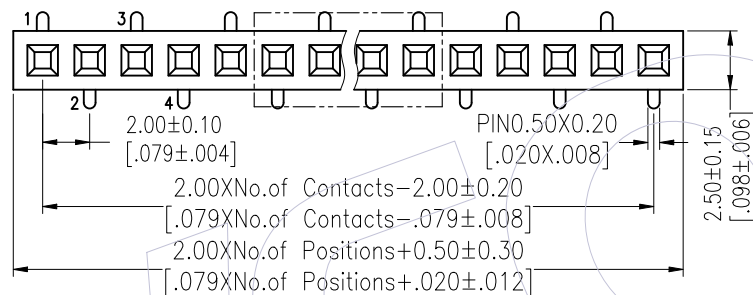
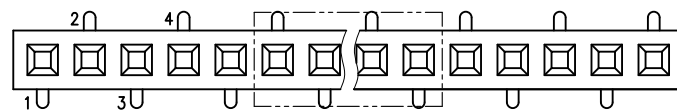


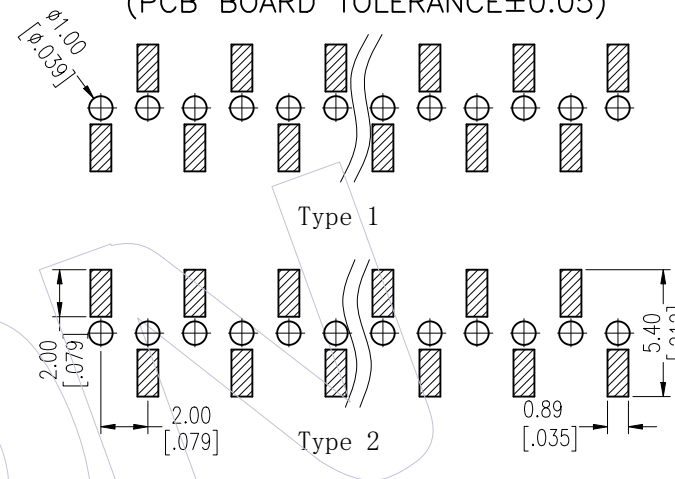
HSF

NOTES:
 Current Rating: 3.0AMP
 Contact Resistance: 20mΩ Max
 Withstand Voltage: 500V AC/DC
 Insulation Resistance: 1000MΩ Min
 Operation Temperature: -40°C to +105°C

Contact Material: Phosphor Bronze
 Contact plating: Au Or Sn over Ni
 Insulator Material: PA9T+33%G.F UL94V-0



Recommended P.C.B Layout (Top Side)
 (PCB BOARD TOLERANCE ±0.05)



Ordering Information

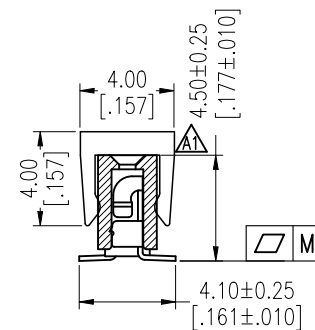
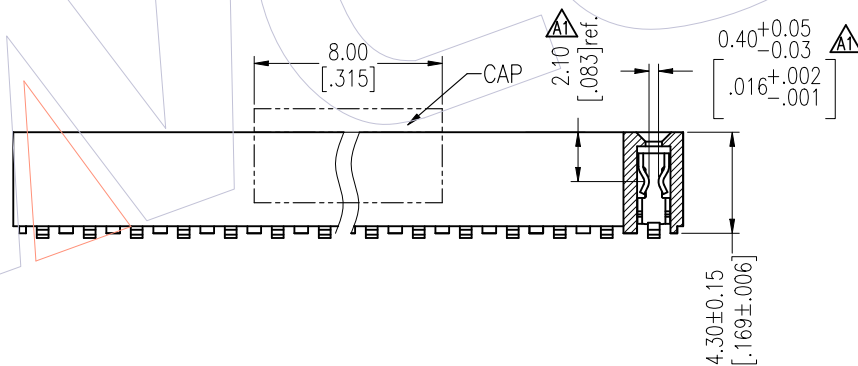
2243-1 XX M XX CUN X X

No. of Pins per Row: 02-40Pin

Contact Plating:
 G0=Gold Flash
 G3=10μ"Gold
 G4=15μ"Gold
 G5=30μ"Gold
 S0=Gold Flash/Tin
 S3=10μ"Gold/Tin
 S4=15μ"Gold/Tin
 S5=30μ"Gold/Tin
 SN=Tin
 SM=Matte Tin

Packing:
 T=Tube
 P=Tube+CAP
 R=Tape&Reel+CAP

Series No.
 1=Type 1
 2=Type 2



Item	Pitch	Mating
Standard	2.00	1215/1220
Alternate		

Pin(Per Row)	2-15P	16-25P	26-40P
M	0.10	0.15	0.18

TITLE	PART NO.
TYPE 1	2243-1XXMXXCUNX1
TYPE 2	2243-1XXMXXCUNX2

OPERATION	DRAW	DATE	SCALE	FIT	PART NO.
A2 2023/02/14 Modify Flatness	Surong Xu	2023/02/14	UNIT mm		SEE TABLE
A1 2018/05/04 MODIFY P/N & CAP ; ADD DIM.	CHECK	DATE	SIZE A4		TITLE: 2.0mm Female Header SINGLE ROW 180°SMT H=4.3
A0 2012/07/13 NEW	APPROVE	DATE	SHEET 1/1		Customer NO.
REV DATE MODIFICATION DESCRIPTION CHANGE	Angle ± 3° DIM TOL		PROJ.		

WCON

Http: www.wcon.com

WCON-Dongguan Tel: +86 769 85358920 Fax: +86 769 85358915 E-mail: sales@wcon.com

WCON-Kunshan Tel: +86 512 57468408 Fax: +86 512 57468468 E-mail: salesks@wcon.com