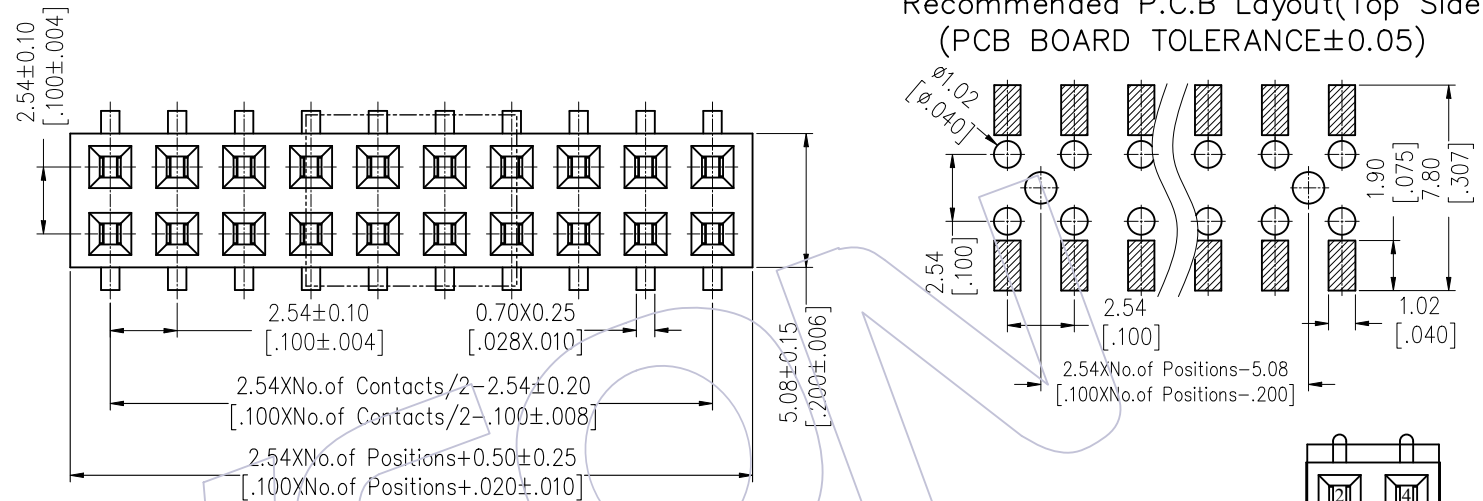


HSF

NOTES:
 Current Rating: 3.0AMP
 Contact Resistance: 20mΩ Max
 Withstand Voltage: 1000V AC
 Insulation Resistance: 1000MΩ Min
 Operation Temperature: -40°C to +105°C

Contact Material: Phosphor Bronze
 Contact plating: Au Or Sn over Ni
 Insulator Material: PA9T+33%G.F UL94V-0

Recommended P.C.B Layout (Top Side)
 (PCB BOARD TOLERANCE ±0.05)



Ordering Information

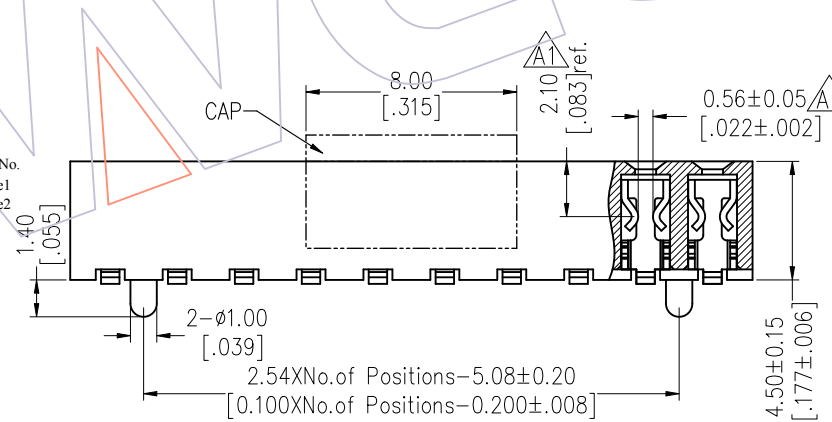
2145 - 2 XX M XX CUN X X

No. of Pins per ROW: 02-40PIN

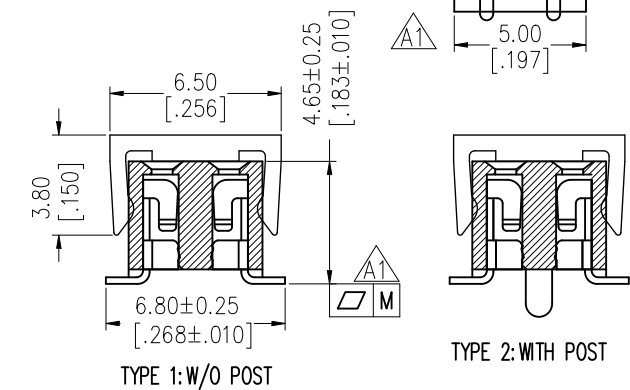
Contact Plating:
 G0=Gold Flash
 G3=10μ"Gold
 G4=15μ"Gold
 G5=30μ"Gold
 S0=Gold Flash/Tin
 S3=10μ"Gold/Tin
 S4=15μ"Gold/Tin
 S5=30μ"Gold/Tin
 SN=Tin
 SM=Matte Tin

Packing:
 T=Tube
 P=Tube+CAP
 R=Tape&Reel+CAP

Series No.
 1=Type1
 2=Type2



Special CAP for 2*2P-2*4P



Item	Pitch	Mating
Standard	2.54	1115/1120/1125
Alternate		

Pin (Per Row)	2-15P	16-25P	26-40P
M	0.10	0.15	0.18

TITLE	PART NO.
TYPE 1	2145-2XXMXXCUNX1
TYPE 2	2145-2XXMXXCUNX2

REV	DATE	MODIFICATION DESCRIPTION	CHANGE	OPERATION	DRAW	DATE	SCALE	FIT	PART NO.
A2	2023/02/13	Modify Flatness	-----	x.x ±0.40	XSR	2023/02/13	UNIT mm		SEE TABLE
A1	2018/03/09	2145-2XXMXXCUNTX → 2145-2XXMXXCUNXX ADD Special CAP for 2*2P-2*4P; ADD DIM.	-----	x.xx ±0.25	CHECK	DATE	SIZE A4		TITLE: 2.54mm Female Header DUAL ROW 180°SMT H=4.5
A0	2012/08/03	NEW	-----	x.xxx ±0.15	APPROVE	DATE	SHEET 1/1		Customer NO.
				Angle ± 3°			PROJ.		
				DIM TOL					

WCON
 Http: www.wcon.com

WCON-Dongguan
 Tel: +86 769 85358920
 Fax: +86 769 85358915
 E-mail: sales@wcon.com

WCON-Kunshan
 Tel: +86 512 57468408
 Fax: +86 512 57468468
 E-mail: salesks@wcon.com