

HSF

NOTES:
 Rated Current:3.0AMP
 Contact Resistance:20mΩ max
 Withstand Voltage:1000V AC/DC
 Insulation Resistance:1000MΩ min
 Operation Temperature:-40℃ to +105℃

Housing Material:LCP+30%G.F(UL94V-0)
 Contact Material:Phosphor Bronze
 Contact plating:Au Or Sn over Ni

Ordering Information

2170T-2XX K XX D UNT 1

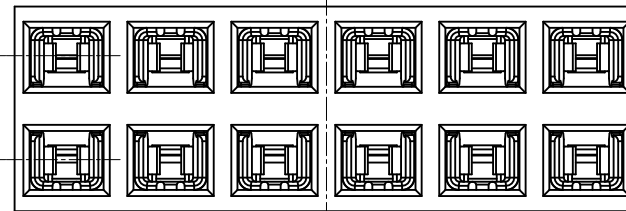
No. of Pins
02~36P

Contact Plating
 G0=Gold Flash
 G3=10μ"Gold
 G4=15μ"Gold
 G5=30μ"Gold
 S0=Gold Flash/Tin
 S3=10μ"Gold/Tin
 S4=15μ"Gold/Tin
 S5=30μ"Gold/Tin
 SN=Tin
 SM=Matte Tin

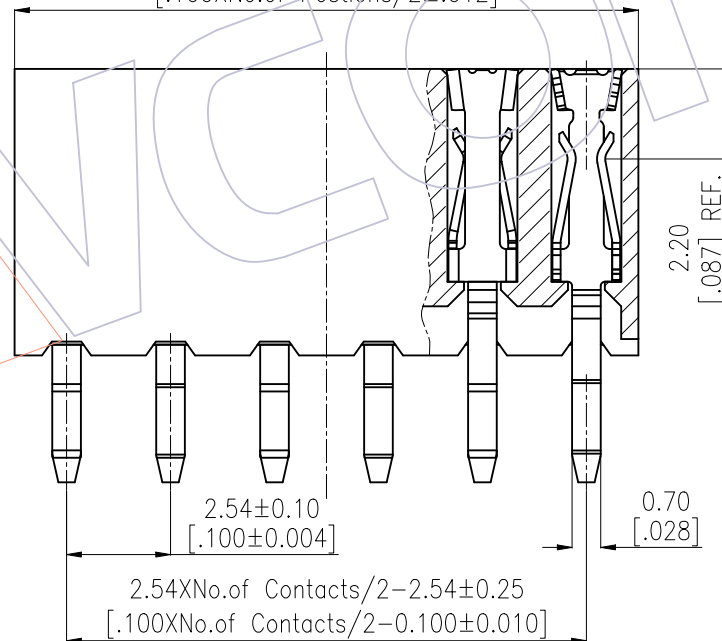
D=LCP

Packing
T=Tube

2.54±0.15
[.100±0.006]



2.54XNo. of Postions/2±0.30
[.100XNo. of Postions/2±.012]

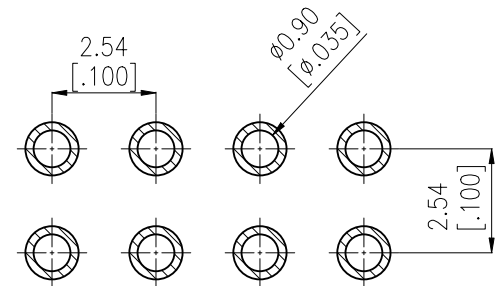


2.20
[.087] REF.

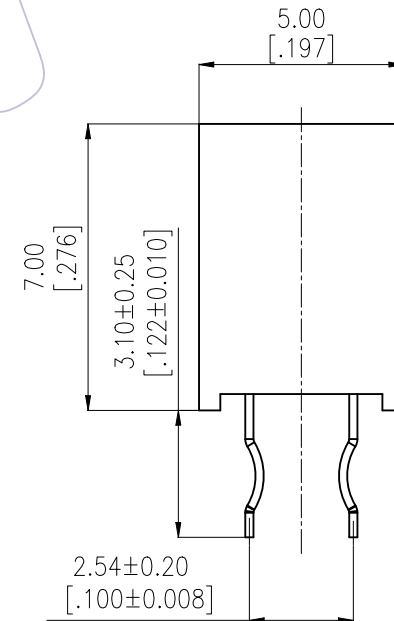
2.54±0.10
[.100±0.004]

0.70
[.028]

2.54XNo. of Contacts/2-2.54±0.25
[.100XNo. of Contacts/2-0.100±0.010]



Recommended P.C.B Layout(Top Side)
 (PCB BOARD TOLERANCE±0.05)



REV	DATE	MODIFICATION DESCRIPTION	CHANGE	OPERATION	DRAW	DATE	SCALE	FIT	PART NO.
A0	2014/05/09	NEW	---	X.X ±0.40	Wang	2014/05/09	UNIT mm	A4	2170T-2XXKXXDUNT1
				X.XX ±0.25	CHECK	DATE	SIZE	1/1	TITLE:
				X.XXX ±0.15	APPROVE	DATE	SHEET		2.54 PITCH VERTICAL BOTH ROWS DIP CONNECTOR 7.0mm HEIGHT
				Angle ± 3'			PROJ.		Customer NO.
				DIM TOL					

WCON

Http: www.wcon.com

WCON-Dongguan
 Tel: +86 769 85358920
 Fax: +86 769 85358915
 E-mail: sales@wcon.com

WCON-Kunshan
 Tel: +86 512 57468408
 Fax: +86 512 57468468
 E-mail: salesks@wcon.com