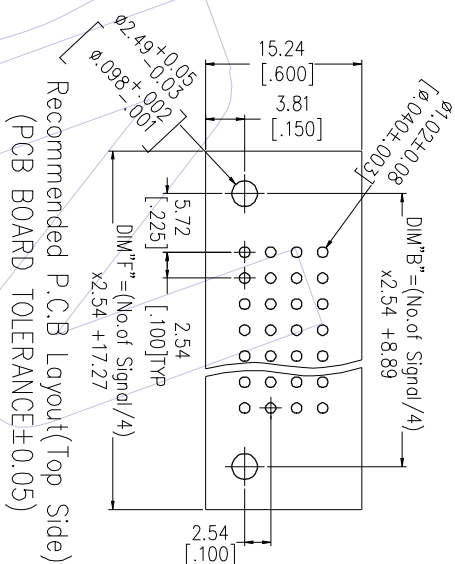
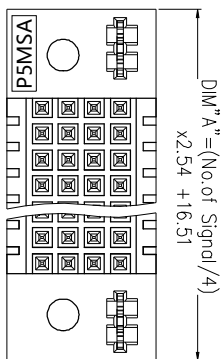
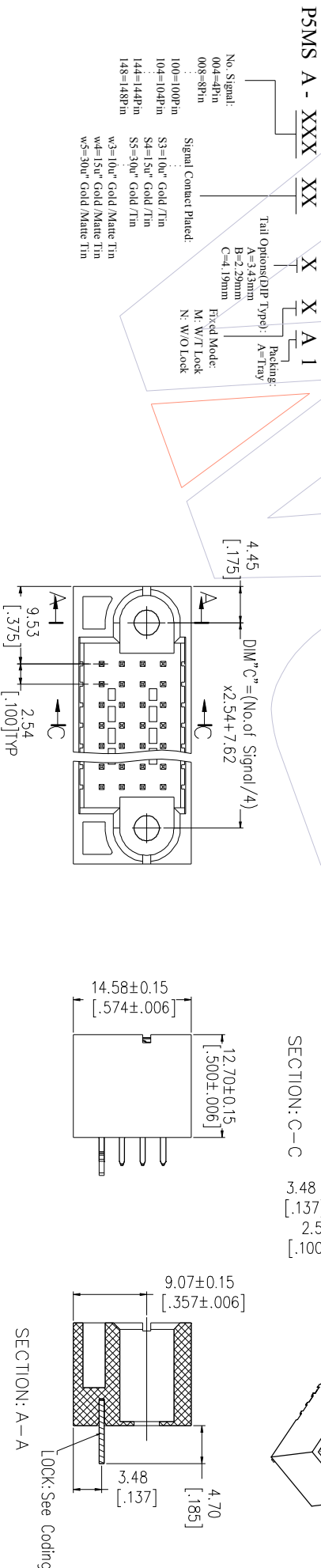


- NOTES:
1. Insulator material: PA9T+33%G.F, UL94 V-0;
 2. Terminal material: Copper Alloy;
Terminal Plating: Au/Sn Plated Over Nickel ;
 3. Rated Voltage: Signal 50V; $\Delta 1$
 4. Rated Current: Signal 2.5A; $\Delta 1$
 5. Contact Resistance:
Signal 20m Ω Max; $\Delta 1$
 6. Insulation Resistance: DC500V
Signal 500M Ω Min; $\Delta 1$
 7. Insulation Withstand Voltage:
Signal 1000VAC/1min ; $\Delta 1$
 8. Durability : 200 cycling;
 9. Operation Temperature: -20°C to +105°C;



| | | | | | | | | | | | | |
|-----|------------|--------------------------|--------|-----------|---------|------------|-------|------|----------------|--|--------------------|--------------|
| REV | DATE | MODIFICATION DESCRIPTION | CHANGE | OPERATION | DRAW | DATE | SCALE | FIT | PART NO. | TITLE: | WCON-Dongguan | WCON-Kunshan |
| A1 | 2022/03/28 | Modify Notes | | X.X | PAN | 2022/03/28 | mm | inch | PSMSA-XXXXXXA1 | PSP Spacing A 180° DIP MALE (TYPE-5.254 Signal) | Http: www.wcon.com | |
| A0 | 2018/10/15 | NEW | | X.XXX | CHECK | | mm | inch | | | | |
| | | | | Angle | APPROVE | DATE | mm | inch | Customer NO. | | | |
| | | | | ± 3° | | | mm | inch | | | | |
| | | | | DIM | | | mm | inch | | | | |
| | | | | TOL | | | mm | inch | | | | |



WCON-Dongguan Tel: +86 769 85358920 Fax: +86 769 85358915 E-mail: sales@wcon.com

WCON-Kunshan Tel: +86 512 57468408 Fax: +86 512 57468468 E-mail: sales@wcon.com