

HSF

NOTES:

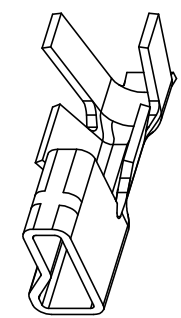
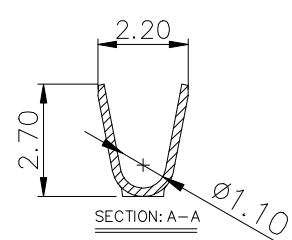
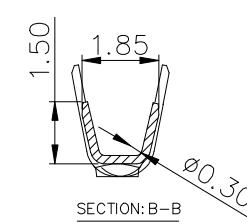
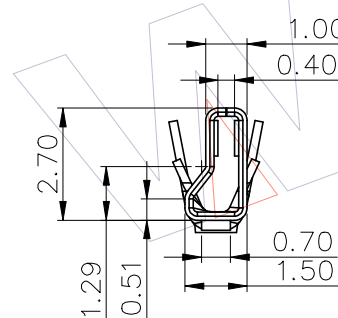
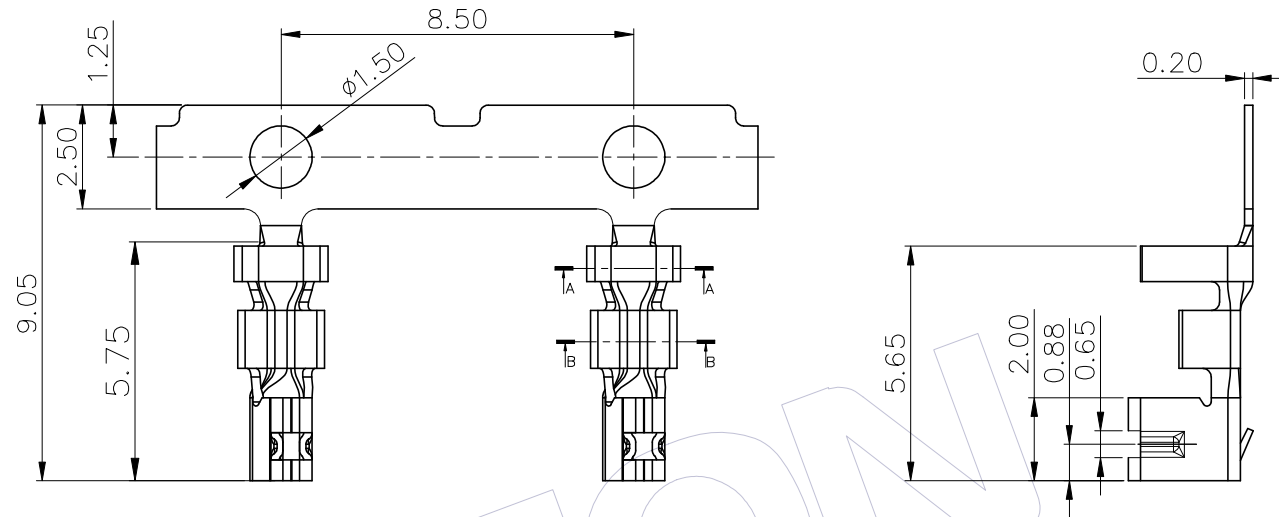
Current Rating: 2.0A AMP
 Contact Resistance: 20milliohm Max
 Withstand Voltage: 250V AC/Minute
 Insulation Resistance: 500Megohm Min
 Operation Temperature: -25°C to +85°C

Material: Phosphor Bronze
 Contact Plating: Sn Over Tin
 Insulation O.D.: 1.40mm (Max.)
 Wire Range: AWG#24~#28

Ordering Information

WF2006-TPSN01

Contact Plating
 SN: Tin



**3D VIEW
 REFERENCE**

				OPERATION	DRAW	DATE	SCALE	1:1	PART NO.	 <p>Http: www.wcon.com</p> <p>WCON-Dongguan Tel: +86 769 85358920 WCON-Kunshan Tel: +86 512 57468408 Fax: +86 769 85358915 Fax: +86 512 57468468 E-mail: sales@wcon.com E-mail: salesks@wcon.com</p>
				X.X ±0.40	Wan.Bo	2018.12.17	UNIT	mm	TITLE:	
				X.XX ±0.25	CHECK	DATE	SIZE	A4	2.00mm Pitch WTB CONNECTOR	
A0	2018.12.17	NEW	-	X.XXX ±0.15	APPROVE	DATE	SHEET	1/1	Female Terminal	
REV	DATE	MODIFICATION DESCRIPTION	CHANGE	Angle ± 3°			PROJ.		Customer NO.	
				DIM TOL						