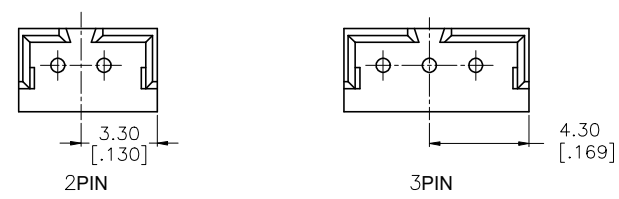
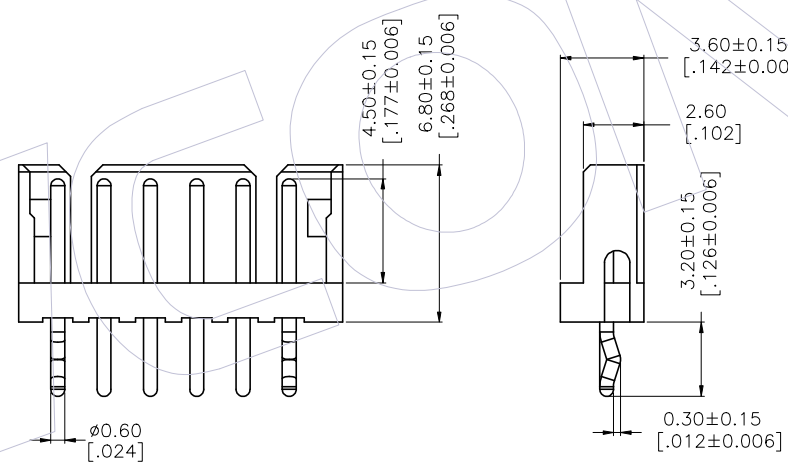
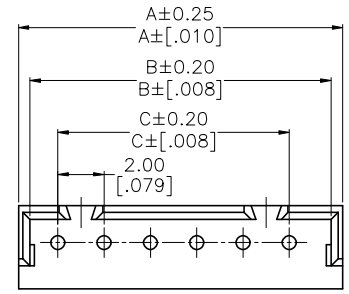
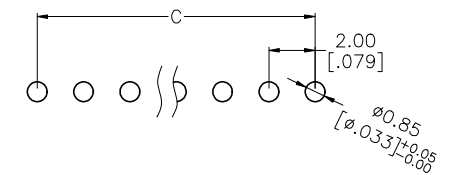


HSF

NOTES:
 Current Rating:1.0A AMP
 Contact Resistance:20milliohm Max
 Withstand Voltage:250V AC/Minute
 Insulation Resistance:500Megohm Min
 Operation Temperature:-25℃ to +85℃

Housing Material:PA6T(UL94V-0)
 Contact Material:Brass
 Contact plating;Sn over Ni Plating

RECOMMENDED PCB LAYOUT
 TOLERANCE IS ±0.05




Ordering Information

WF2006- WS XX X T 1

Terminal shape: WS:Wafer 180°DIP
 NO.of Pins : 2P~15P
 Packing: T=Tube
 Color: E=Beige

Circuits	Part No.	Dimensions		
		A	B	C
2	WF2006-WS02X01	6.00[.236]	5.00[.197]	2.00[.079]
3	WF2006-WS03X01	8.00[.315]	7.00[.276]	4.00[.157]
4	WF2006-WS04X01	10.00[.394]	9.00[.354]	6.00[.236]
5	WF2006-WS05X01	12.00[.472]	11.00[.433]	8.00[.315]
6	WF2006-WS06X01	14.00[.551]	13.00[.512]	10.00[.394]
7	WF2006-WS07X01	16.00[.630]	15.00[.591]	12.00[.472]
8	WF2006-WS08X01	18.00[.709]	17.00[.669]	14.00[.551]
9	WF2006-WS09X01	20.00[.787]	19.00[.748]	16.00[.630]
10	WF2006-WS10X01	22.00[.866]	21.00[.827]	18.00[.709]
11	WF2006-WS11X01	24.00[.945]	23.00[.906]	20.00[.787]
12	WF2006-WS12X01	26.00[1.024]	25.00[.984]	22.00[.866]
13	WF2006-WS13X01	28.00[1.102]	27.00[1.063]	24.00[.945]
14	WF2006-WS14X01	30.00[1.181]	29.00[1.142]	26.00[1.024]
15	WF2006-WS15X01	32.00[1.260]	31.00[1.220]	28.00[1.102]

		OPERATION		DRAW		DATE		SCALE		PART NO.		 Http: www.wcon.com WCON-Dongguan Tel: +86 769 85358920 Fax: +86 769 85358915 E-mail: sales@wcon.com WCON-Kunshan Tel: +86 512 57468408 Fax: +86 512 57468468 E-mail: salesks@wcon.com	
		X.X	±0.40	KH		2013.05.13		1:1	WF2006-WSXXXT1				
		X.XX	±0.25	CHECK		DATE		mm	TITLE:				
		X.XXX	±0.15	APPROVE		DATE		inch	2.00mm WTB WAFER 180°DIP				
A0	2013.05.13	NEW						A4	Customer NO.				
REV	DATE	MODIFICATION DESCRIPTION		CHANGE	Angle	± 3'		1/1					
			DIM	TOL				PROJ.					