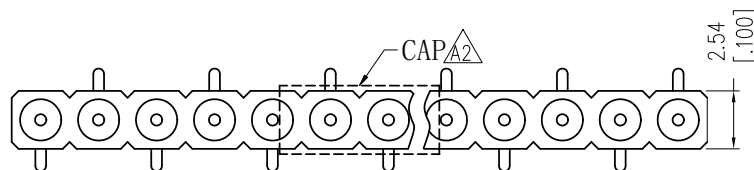


TECHNICAL SPECS:

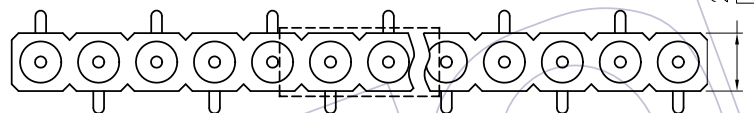
Current Rating: 3.0AMP
 Contact Resistance: 10mΩ Max
 Dielectric Strength: Min 1000V_{RMS}
 Mechanical Life: Min 500 cycles
 Operation Temperature: -40°C to +105°C

Sleeve: Brass CuZn36Pb3(C36000)
 Connecting Pin: ∅0.47mm
 Contact plating: Au or Sn over Ni
 Insulator Material: PPS+30%G.F(UL94V-0)
 Coplanarity SMD terminations: max 0.1mm
 (measured on 25mm long connectors)

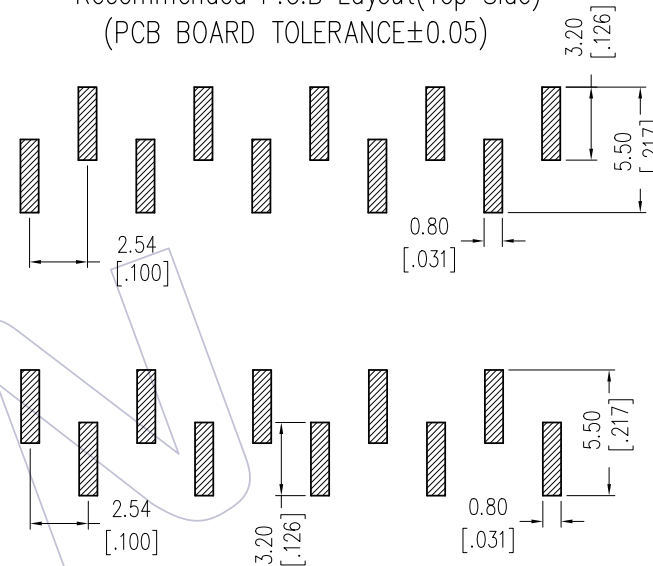
Recommended P.C.B Layout(Top Side)
 (PCB BOARD TOLERANCE±0.05)



TYPE 1



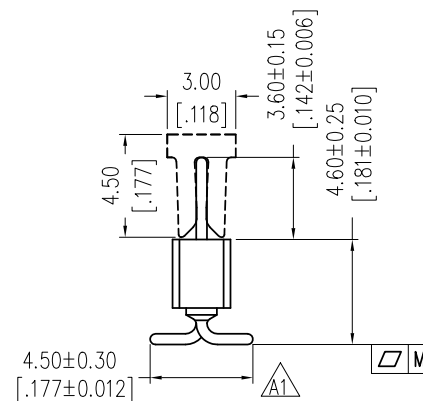
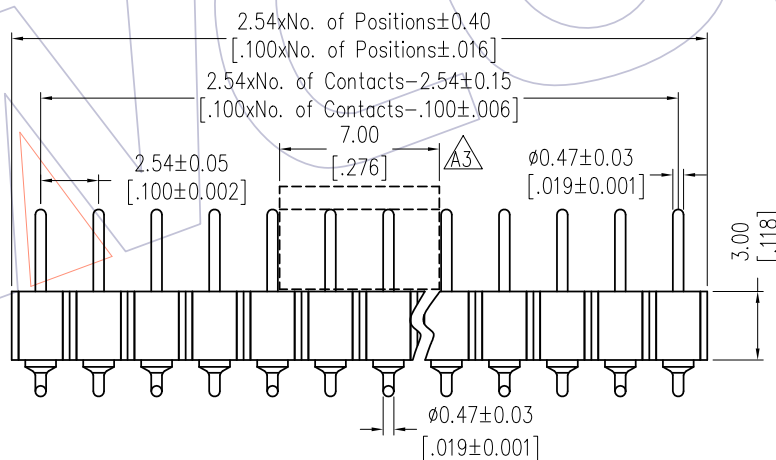
TYPE 2



Ordering Information

3510-301 XX M XX 100 T X

- No. of Pin: 2-40PIN
- Contact Plating: G0=Gold Flash, G1=3u"Gold, G2=5u"Gold, G3=10u"Gold, G4=15u"Gold, G5=30u"Gold, S0=Sel.Gold Flash/Tin, SN=Tin
- Packing: T=Tube, R=Reel+CAP
- Series No.: 1=Type 1, 2=Type 2



A3	PIN	2-10P	11-30P	31-40P
	M	0.10	0.15	0.25

A3	2019/07/20	Modify the CAP	OPERATION	DRAW	DATE	SCALE	FIT	PART NO. 3510-301XXMXX100XX
A2	2019/04/11	Add the CAP	X.X ±0.40	Ding	2019/07/20	UNIT	mm/inch	
A1	2012/07/12	Modify drawing	X.XX ±0.25	CHECK	DATE	SIZE	A4	TITLE: 2.54mm MACHINED PIN HEADER SINGLE ROW 180° SMT H=3.00 L=10.0
A0	2009/02/28	NEW	X.XXX ±0.15	APPROVE	DATE	SHEET	1/1	Customer No.
REV	DATE	MODIFICATION DESCRIPTION	CHANGE	Angle ± 3°		PROJ.		

WCON
 Http: www.wcon.com

WCON-Dongguan Tel: +86 769 85358920 Fax: +86 769 85358915 E-mail: sales@wcon.com

WCON-Kunshan Tel: +86 512 57468408 Fax: +86 512 57468468 E-mail: sales@wcon.com