

HSF

TECHNICAL SPECS:

Current Rating: 3.0AMP
 Contact Resistance: 10mΩ Max
 Dielectric Strength: Min 1000VRMS
 Mechanical Life: Min 500 cycles
 Mating Pin: Ø0.7 to Ø0.9mm or 0.635SQ
 Forces: (polished steel gauge Ø0.76mm)
 Insertion: 150g Max/Pin, Withdrawal: 30g Min/Pin
 Operation Temperature: -40°C to +105°C

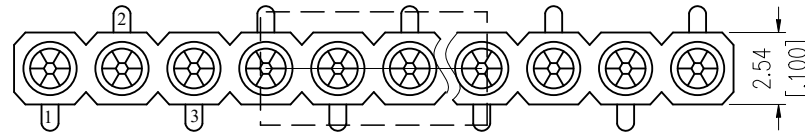
Sleeve: Brass CuZn36Pb3(C36000)
 Contact Clip(6 finger): BeCu(C17200)
 Insulator Material: PPS+30%G.F(UL94V-0)

Ordering Information

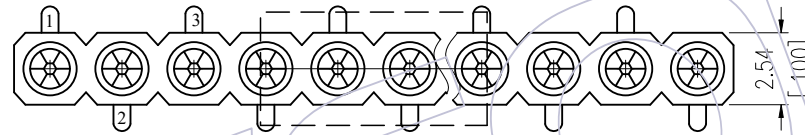
3521-701 XX M XX 104 X X

No. of Pin 2-40PIN	Contact Plating S0=Gold Flash/Tin S3=10u"Gold/Tin S4=15u"Gold/Tin S5=30u"Gold/Tin SN=Tin	Packing T=Tube R=Tube&Reel	Series No. 1=Type 1 2=Type 2
-----------------------	---	----------------------------------	------------------------------------

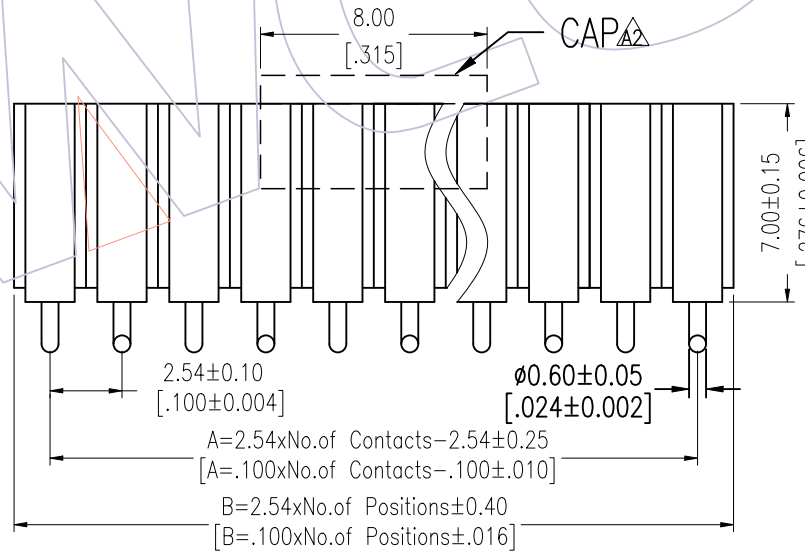
Item	Pitch	Mating
Standard	2.54	3511
Alternate		



TYPE 1

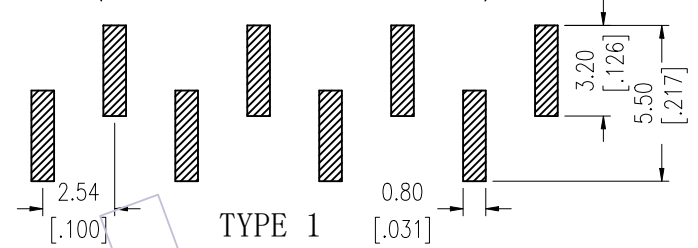


TYPE 2

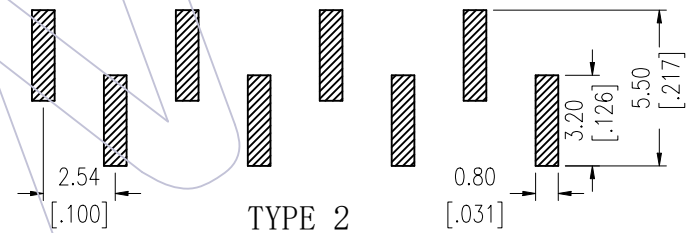


Recommended P.C.B Layout(Top Side)

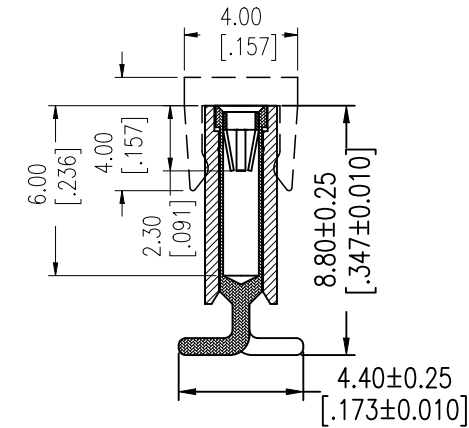
(PCB BOARD TOLERANCE±0.05)



TYPE 1



TYPE 2



REV	DATE	MODIFICATION DESCRIPTION	CHANGE	OPERATION	DRAW	DATE	SCALE	FIT	PART NO.
A2	2021/02/25	Add CAP	△△	DuYing	X.X ±0.40	2021/02/25	UNIT	mm	3521-701XXMXX104XX
A1	2018/03/07	Modify	△△	Ding	X.XX ±0.25	DATE	SIZE	A4	
A0	2012/10/18	NEW	-----		X.XXX ±0.15	DATE	SHEET	1/1	2.54mm MACHINED FEMALE HEADER SINGLE ROW SMT H=7.00 L=10.4
					Angle ± 3°	DATE	PROJ.	Customer NO.	
					DIM TOL				

WCON

Http: www.wcon.com

WCON-Dongguan Tel: +86 769 85358920 Fax: +86 769 85358915 E-mail: sales@wcon.com

WCON-Kunshan Tel: +86 512 57468408 Fax: +86 512 57468468 E-mail: salesks@wcon.com