

HSF

TECHNICAL SPECS:

Current Rating: 3.0AMP
 Contact Resistance: 10mΩ Max
 Dielectric Strength: Min 1000VRMS
 Mechanical Life: Min 500 cycles
 Mating Pin: Ø0.7 to Ø0.9mm or 0.635SQ
 Forces: (polished steel gauge Ø0.76mm)
 Insertion: 150g Max/Pin, Withdrawal: 30g Min/Pin
 Operation Temperature: -40°C to +105°C

Sleeve: Brass CuZn36Pb3(C36000)
 Contact Clip(6 finger): BeCu(C17200)
 Insulator Material: PPS+30%G.F(UL94V-0)

Ordering Information

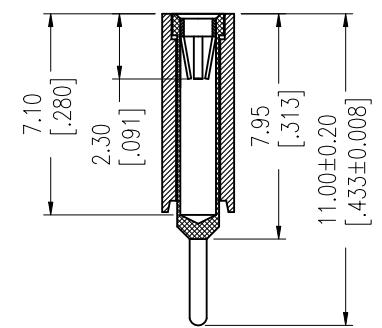
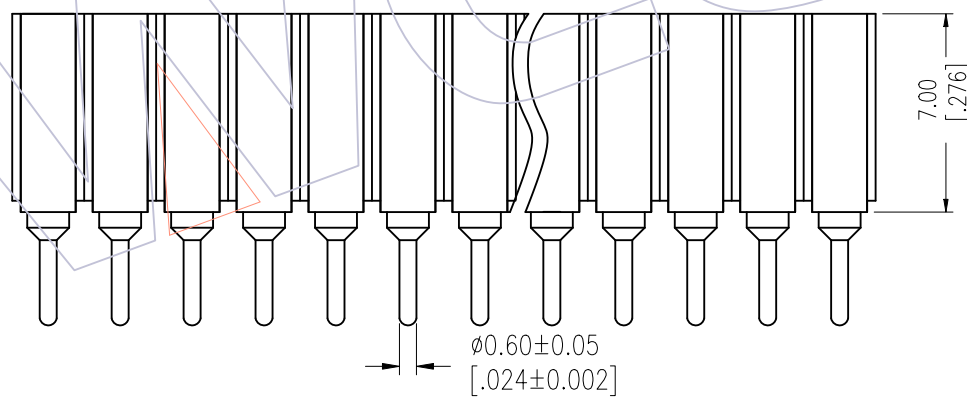
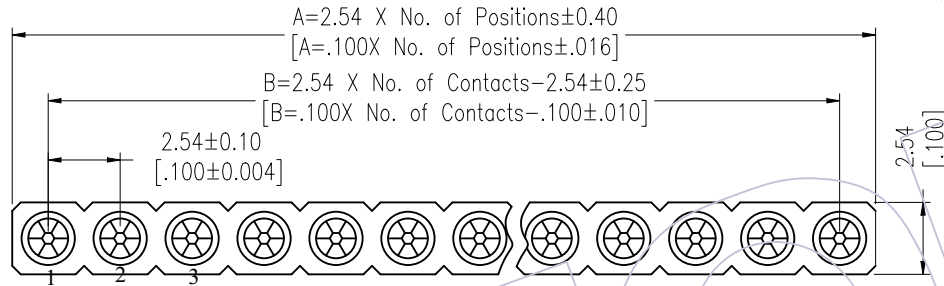
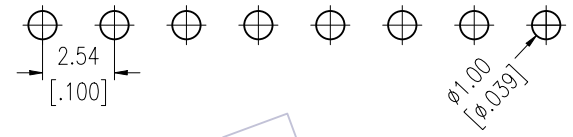
3521-701 XX S XX 110 X 1

No. of Pin
2~40PIN
△

Contact Plating
S0=Gold Flash/Tin
S3=10u"Gold/Tin
S4=15u"Gold/Tin
S5=30u"Gold/Tin
SN=Tin

Packing
A=Tray
T=Tube

Recommended P.C.B Layout(Top Side)
 (PCB BOARD TOLERANCE±0.05)



| Item | Pitch | Mating |
|-----------|-------|--------|
| Standard | 2.54 | 3511 |
| Alternate | | |

| REV | DATE | MODIFICATION DESCRIPTION | CHANGE | OPERATION | DRAW | DATE | SCALE | FIT | PART NO. |
|-----|------------|--------------------------|--------|-------------|---------|------------|-------|-----|--|
| | | | | X.X ±0.40 | Ding | 2018/03/07 | UNIT | mm | 3521-701XXSXX110X1 |
| A1 | 2018/03/07 | Modify | ----- | X.XX ±0.25 | CHECK | DATE | SIZE | A4 | TITLE: |
| A0 | 2012/10/18 | NEW | ----- | X.XXX ±0.15 | APPROVE | DATE | SHEET | 1/1 | 2.54mm MACHINED FEMALE HEADER SINGLE ROW 180° H=7.00 L=11.0 |
| | | | | Angle ± 3° | | | PROJ. | ⊕ | Customer NO. |
| | | | | DIM TOL | | | | | |

WCON

Http: www.wcon.com

WCON-Dongguan Tel: +86 769 85358920 Fax: +86 769 85358915 E-mail: sales@wcon.com

WCON-Kunshan Tel: +86 512 57468408 Fax: +86 512 57468468 E-mail: salesks@wcon.com