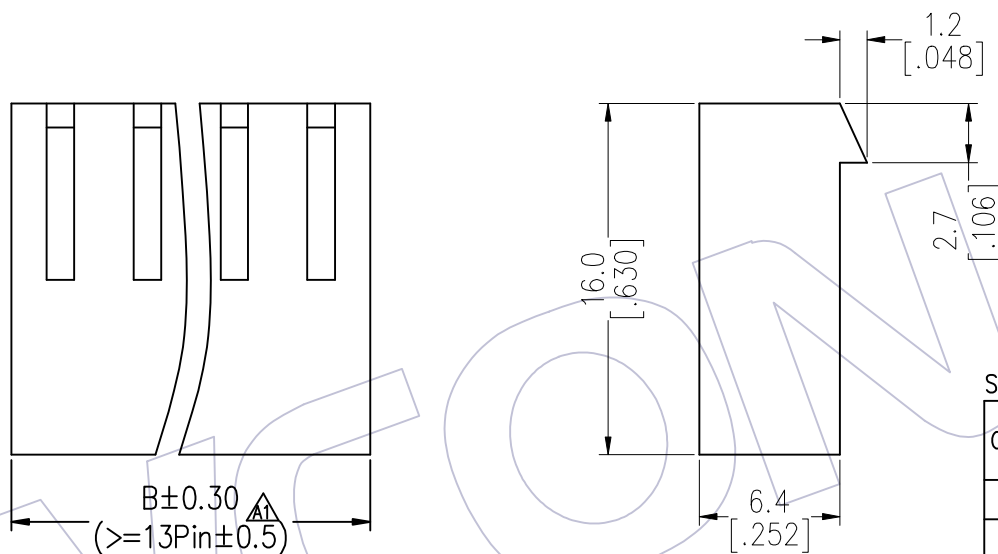


HSF

NOTES:
 Rated Current: 5.0AMP
 Contact Resistance: 20mΩ max
 Withstand Voltage: 1000V AC/DC
 Insulation Resistance: 1000MΩ min
 Operation Temperature: -25°C to +85°C

Insulator Material: PA66 UL94V-0
 Use with: WF3961-T
 Mated with: WF3961-Wafer



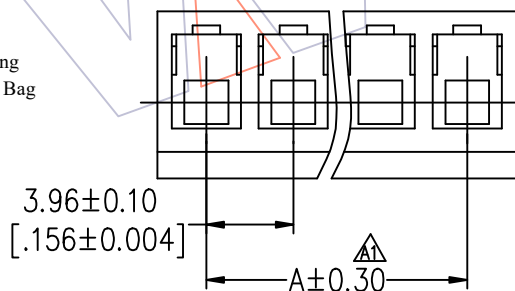
Specification & Ordering Information:

Circuit	Part No.	Dimension	
		A	B
02	WF3961-H02W01	3.96	8.68
03	WF3961-H03W01	7.92	12.64
04	WF3961-H04W01	11.88	16.60
05	WF3961-H05W01	15.84	20.56
06	WF3961-H06W01	19.80	24.52
07	WF3961-H07W01	23.76	28.48
08	WF3961-H08W01	27.72	32.44
09	WF3961-H09W01	31.68	36.40
10	WF3961-H10W01	35.64	40.36
11	WF3961-H11W01	39.60	44.32
12	WF3961-H12W01	43.56	48.28
13	WF3961-H13W01	47.52	52.24
14	WF3961-H14W01	51.48	56.20
15	WF3961-H15W01	55.44	60.16
16	WF3961-H16W01	59.40	64.12

Ordering Information

WF 3961 - H XX W 0 1

No. of pins Color Packing
 02Pin~16Pin W=White 0=PE Bag



REV	DATE	MODIFICATION DESCRIPTION	CHANGE	OPERATION		DRAW	DATE	SCALE	FIT	PART NO.
				X.X	±0.40					
A1	2016/08/23	MODIFY DIM. B	△	X.XX	±0.25	CHECK	DATE	SIZE	A4	SEE TAB
AO	2012/09/11	NEW	—	X.XXX	±0.15	APPROVE	DATE	SHEET	1/1	TITLE: "M"TYPE 3.96 WAFER HOUSING
				Angle	± 3'			PROJ.	◆	Customer NO.
				DIM	TOL					



Http: www.wcon.com

WCON-Dongguan Tel: +86 769 85358920 Fax: +86 769 85358915 E-mail: sales@wcon.com	WCON-Kunshan Tel: +86 512 57468408 Fax: +86 512 57468468 E-mail: salesks@wcon.com
---	--