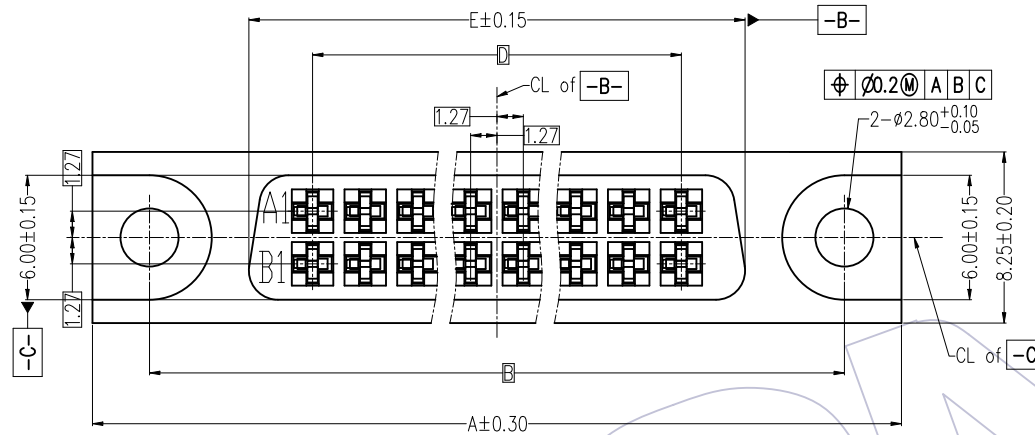


HSF

NOTES:

- 1.Current Rating: 3.0A ;
- 2.Voltage Rating: 250V AC ;
- 3.Contact Resistance: 15mΩ Max;
- 4.Withstand Voltage: 1000V AC;
- 5.Insulation Resistance: 1000MΩ Min;
- 6.Operating Temperature: -55°C to +105°C;
- 7.Insulator Material: PBT,G.F,UL94V-0,BK;
- 8.Contact Material: Copper Alloy;
- 9.Contact plating:
 $xx\mu$ " Gold on contact area (See ordering information),
 100μ " TIN on solder area,
 50μ " Nickel underplating overall;
- 10.Recommended process:
 Wave soldering,Peak temperature:260±5°C, 5s ;

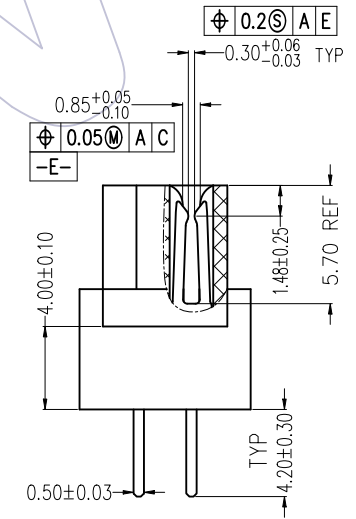
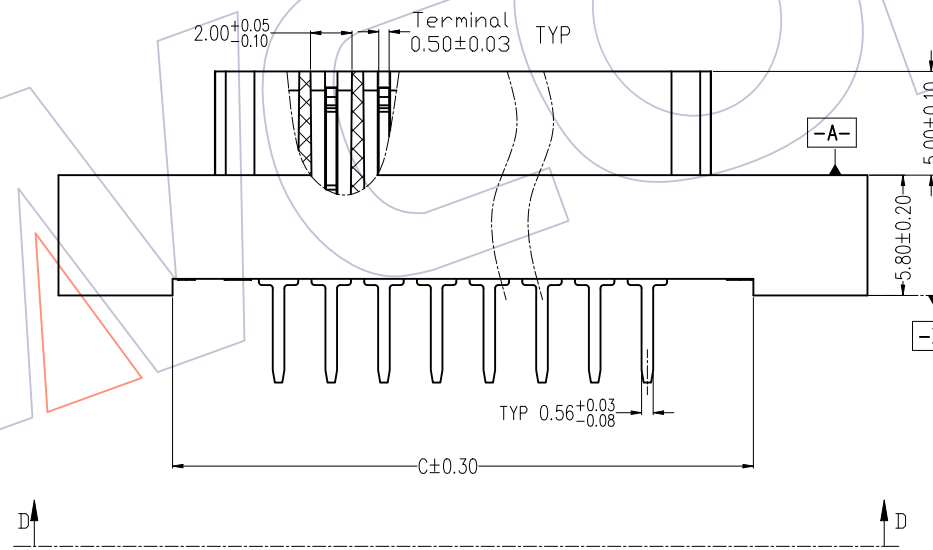
Pin	A	B	C	D	E
8	28.84	23.34	17.84	7.62	13.76
16	39.00	33.50	28.00	17.78	23.92
24	49.16	43.66	38.16	27.94	34.08
32	59.32	53.82	48.32	38.10	44.24
40	69.48	63.98	58.48	48.26	54.40
48	79.64	74.14	68.64	58.42	64.56
56	89.80	84.30	78.80	68.58	74.72
64	99.96	94.46	88.96	78.74	84.88



Ordering Information

6340 - 1 XX F S SX M1 N T 01

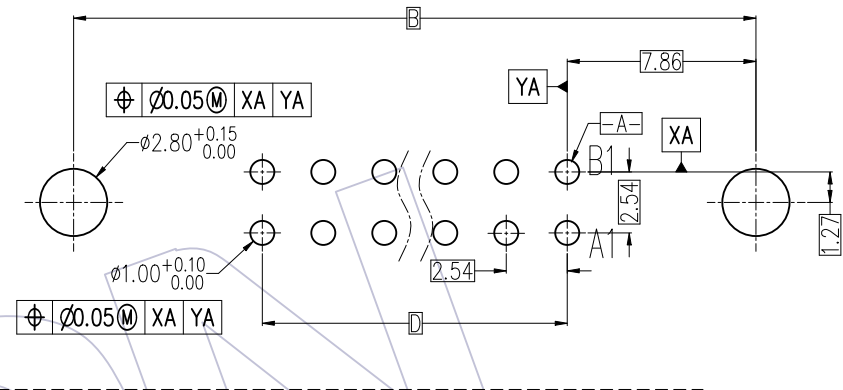
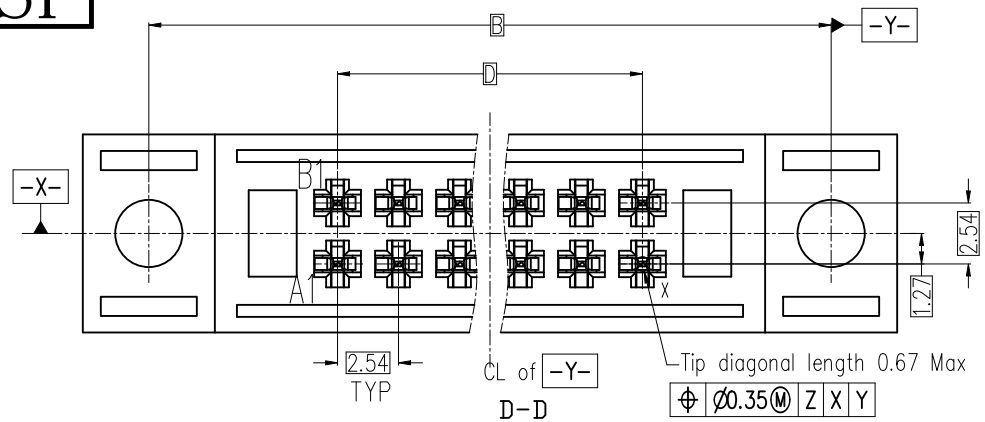
- 1=Single layer
- No. of Pins:
 08=8PIN
 16=16PIN
 24=24PIN
 32=32PIN
 40=40PIN
 48=48PIN
 56=56PIN
 64=64PIN
- Female
- 180° DIP Type
- WCON internal code
- Packing:T=Tube
- No Harpoon
- Mounting the 180° nut
- Contact plating:
 S1=3μ"Gold/ Tin
 S2=5μ"Gold/ Tin
 S3=10μ"Gold/ Tin



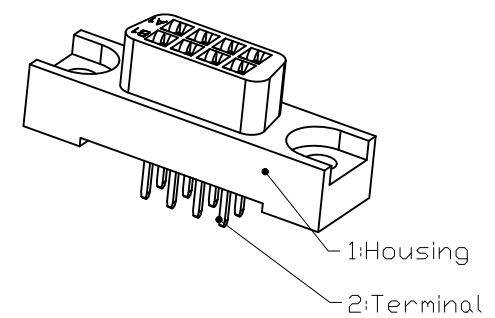
REV	DATE	MODIFICATION DESCRIPTION	CHANGE	OPERATION		DRAW Houfu Peng	DATE 2021.08.11	SCALE UNIT SIZE SHEET PROJ.	FIT mm A4 1/2	PART NO. 6340-1XXFSSXM1NT01	TITLE: 2.54mm DFCN Connector Female, 180° DIP Type	WCON	
				x.x	±0.40							Http: www.wcon.com	
A0	2021.08.11	NEW	Houfu Peng	x.xx	±0.25	CHECK	DATE					WCON-Dongguan	WCON-Kunshan
				x.xxx	±0.15	APPROVE	DATE					Tel: +86 769 85358920	Tel: +86 512 57468408
				Angle	± 3°							Fax: +86 769 85358915	Fax: +86 512 57468468
				DIM	TOL							E-mail: sales@wcon.com	E-mail: salesks@wcon.com


HSF

Recommended P.C.B Layout(Top Side)
(PCB BOARD TOLERANCE±0.05, T=1.6±0.2)



WCON



				OPERATION	DRAW	DATE	SCALE	FIT	PART NO.	 Http: www.wcon.com WCON-Dongguan WCON-Kunshan Tel: +86 769 85358920 Tel: +86 512 57468408 Fax: +86 769 85358915 Fax: +86 512 57468468 E-mail: sales@wcon.com E-mail: salesks@wcon.com
				x.x ±0.40	Houfu Peng	2021.08.11	UNIT	mm	6340-1XXFSSXM1NT01	
				x.xx ±0.25	CHECK	DATE	SIZE	A4	TITLE:	
A0	2021.08.11	NEW	Houfu Peng	x.xxx ±0.15	APPROVE	DATE	SHEET	2/2	2.54mm DFCN Connector Female, 180° DIP Type	
REV	DATE	MODIFICATION DESCRIPTION	CHANGE	Angle ± 3° DIM TOL			PROJ.	Customer NO.		