

HSF

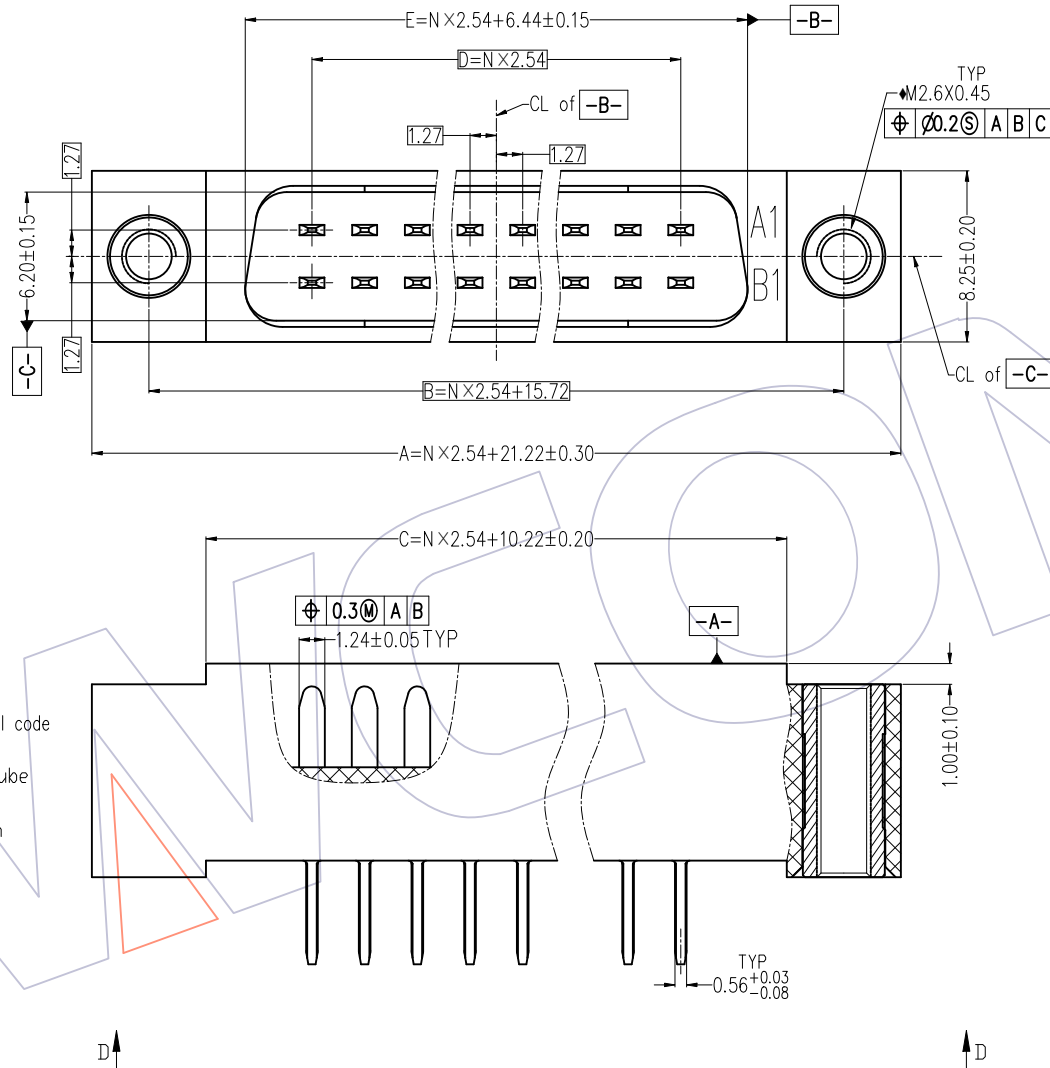
NOTES:

- 1.Current Rating: 3.0A ;
- 2.Voltage Rating: 250V AC ;
- 3.Contact Resistance: 15mΩ Max;
- 4.Withstand Voltage: 1000V AC;
- 5.Insulation Resistance: 1000MΩ Min;
- 6.Operating Temperature: -55°C to +105°C;
- 7.Insulator Material: PBT,G.F,UL94V-0,BK;
- 8.Contact Material: Copper Alloy;
- 9.Contact plating:
 $xx\mu$ " Gold on contact area (See ordering information),
 100μ " TIN on solder area,
 50μ " Nickel underplating overall;
- 10.Torque: 10Kgf.cm Min;
- 11.Retention force: 12Kgf Min;
- 12.Recommended process:
 Wave soldering, Peak temperature: 260±5°C, 5s ;

Ordering Information

6340 - 1 XX M S SX M N T 01

- 1=Single layer
- No. of Pins:
 08=8PIN
 16=16PIN
 24=24PIN
 32=32PIN
 40=40PIN
 48=48PIN
 56=56PIN
 64=64PIN
- Male
- 180° DIP Type
- WCON internal code
- Packing: T=Tube
- No Harpoon
- With Nut
- Contact plating:
 S1=3μ"Gold/ Tin
 S2=5μ"Gold/ Tin
 S3=10μ"Gold/ Tin



Pin	N	A	B	C	D	E
8	3	28.84	23.34	17.84	7.62	14.06
16	7	39.00	33.50	28.00	17.78	24.22
24	11	49.16	43.66	38.16	27.94	27.94
32	15	59.32	53.82	48.32	38.10	34.38
40	19	69.48	63.98	58.48	48.26	54.70
48	23	79.64	74.14	68.64	58.42	64.86
56	27	89.80	84.30	78.80	68.58	75.02
64	31	99.96	94.46	88.96	78.74	85.18

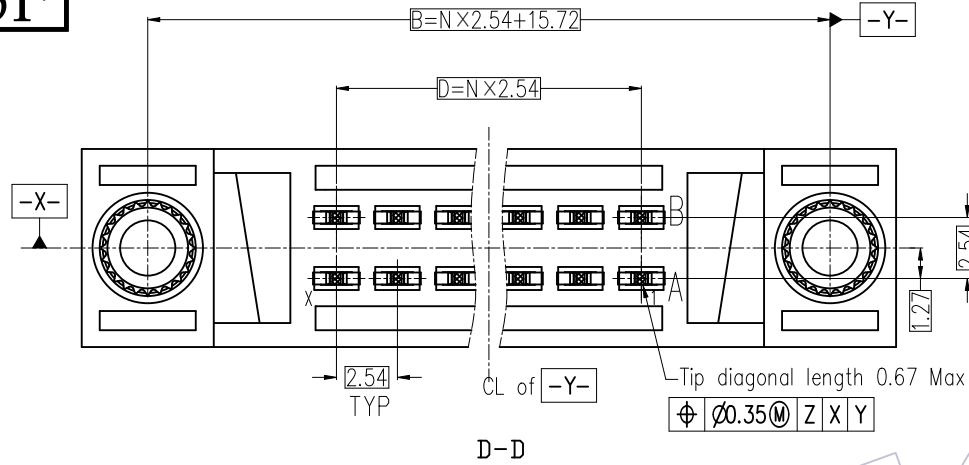
REV	DATE	MODIFICATION DESCRIPTION	CHANGE	OPERATION		DRAW OHJ	DATE	SCALE	FIT	PART NO.
				Angle	± 3°					
A1	2021.04.23	Change Recommended process	OHJ	x.x	±0.40	CHECK	2021.03.18	UNIT	mm	6340-1XXMSSXMNT01
A0	2021.03.18	NEW	OHJ	x.xx	±0.25	APPROVE	DATE	SIZE	A4	TITLE: 2.54mm DFCN Connector Male, 90° DIP Type, With M2.6 Nut
				x.xxx	±0.15		DATE	SHEET	1/2	Customer NO.
				DIM	TOL			PROJ.		

WCON

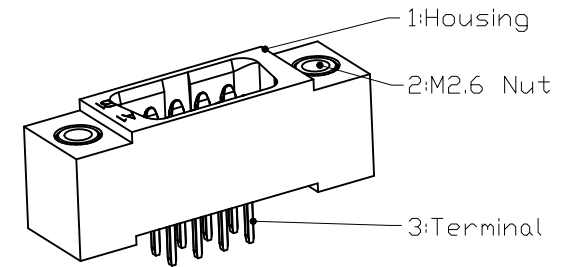
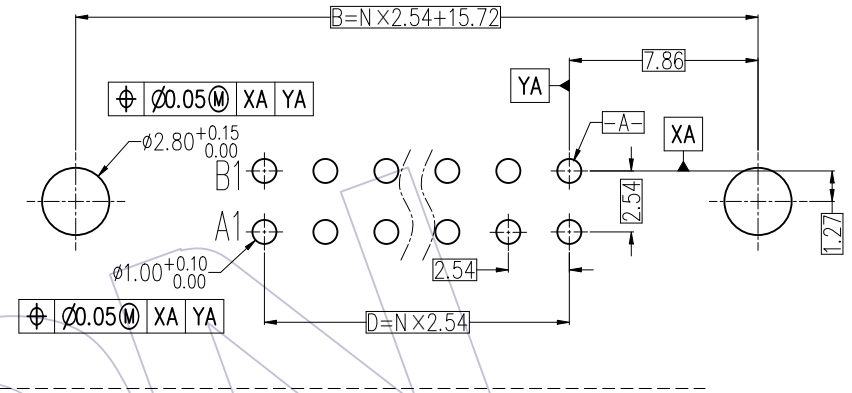
Http: www.wcon.com

WCON-Dongguan WCON-Kunshan
 Tel: +86 769 85358920 Tel: +86 512 57468408
 Fax: +86 769 85358915 Fax: +86 512 57468468
 E-mail: sales@wcon.com E-mail: salesks@wcon.com

HSF



Recommended P.C.B Layout (Top Side)
 (PCB BOARD TOLERANCE ± 0.05 , $T=1.6 \pm 0.2$)



REV	DATE	MODIFICATION DESCRIPTION	CHANGE	OPERATION		DRAW OHJ	DATE	SCALE	FIT	PART NO.	WCON Http: www.wcon.com WCON-Dongguan WCON-Kunshan Tel: +86 769 85358920 Tel: +86 512 57468408 Fax: +86 769 85358915 Fax: +86 512 57468468 E-mail: sales@wcon.com E-mail: salesks@wcon.com	
				Angle	DIM							
A1	2021.04.23	Change Recommended process	OHJ	x.x	± 0.40	CHECK	2021.03.18	UNIT	mm	6340-1XXMSSXMNT01	TITLE: 2.54mm DFCN Connector Male, 90° DIP Type, With M2.6 Nut	
A0	2021.03.18	NEW	OHJ	x.xx	± 0.25	APPROVE		SIZE	A4			
				x.xxx	± 0.15			PROJ.	2/2			