

HSF

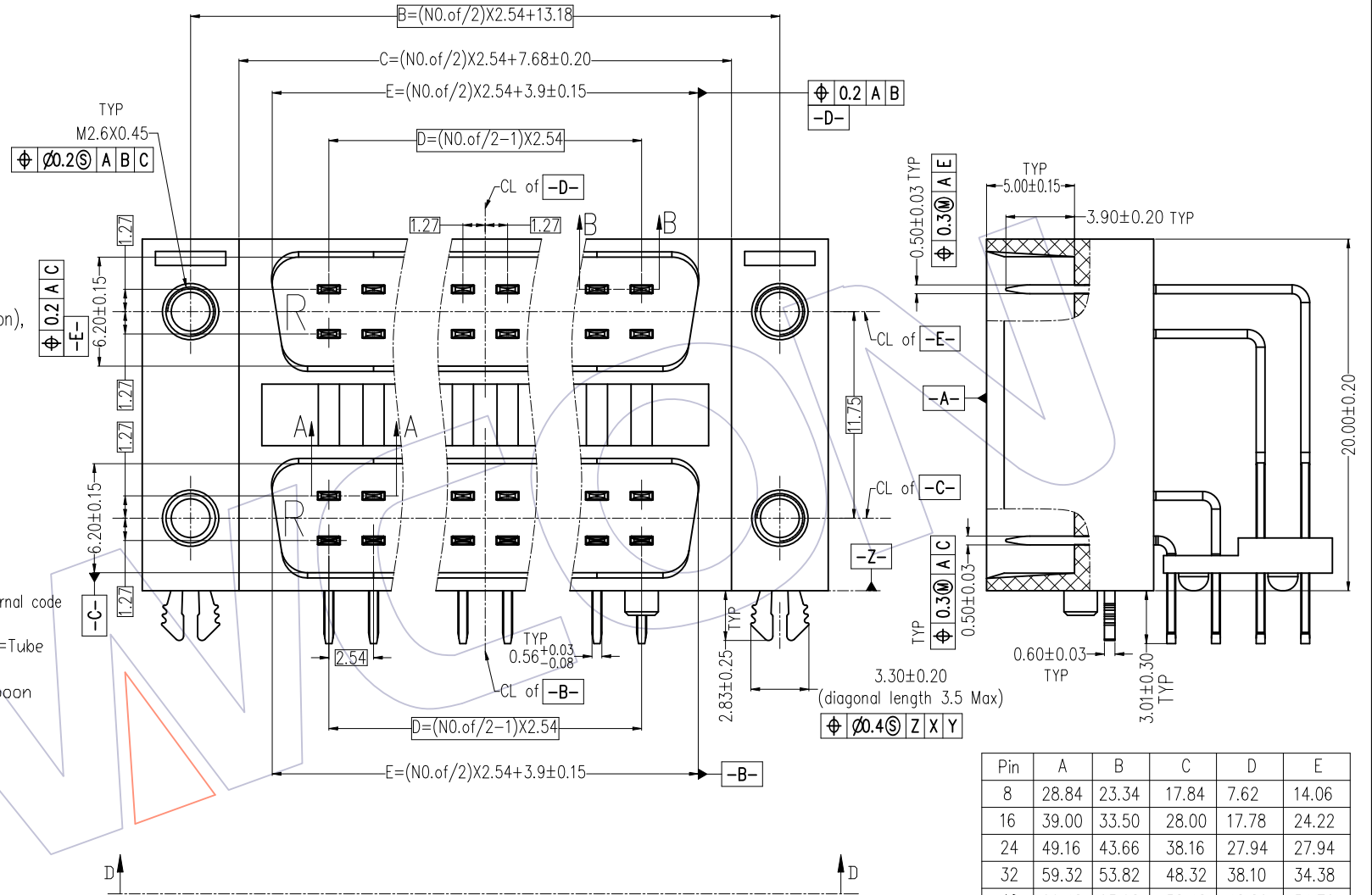
NOTES:

1. Current Rating: 3.0A ;
2. Voltage Rating: 250V AC ;
3. Contact Resistance: 15mΩ Max;
4. Withstand Voltage: 1000V AC;
5. Insulation Resistance: 1000MΩ Min;
6. Operating Temperature: -55°C to +105°C;
7. Insulator Material: PBT,G.F,UL94V-0,BK;
8. Contact Material: Copper Alloy;
9. Contact plating:
 xxμ" Gold on contact area (See ordering information),
 100μ" TIN on solder area,
 50μ" Nickel underplating overall;
10. Torque: 10Kgf.cm Min;
11. Retention force: 12Kgf Min;
12. Recommended process:
 Wave soldering, Peak temperature: 260±5°C, 5s ;

Ordering Information

6340-2XXMRESXMT01

- 2=Double-deck
- No. of Pins:
 - 08=8PIN
 - 16=16PIN
 - 24=24PIN
 - 32=32PIN
 - 40=40PIN
 - 48=48PIN
 - 56=56PIN
 - 64=64PIN
- WCON internal code
- Packing: T=Tube
- With Harpoon
- With Nut
- Contact plating:
 S1=3μ" Gold/ Tin
 S2=5μ" Gold/ Tin
 S3=12μ" Gold/ Tin
- Male
- 90° DIP (Reverse) Type



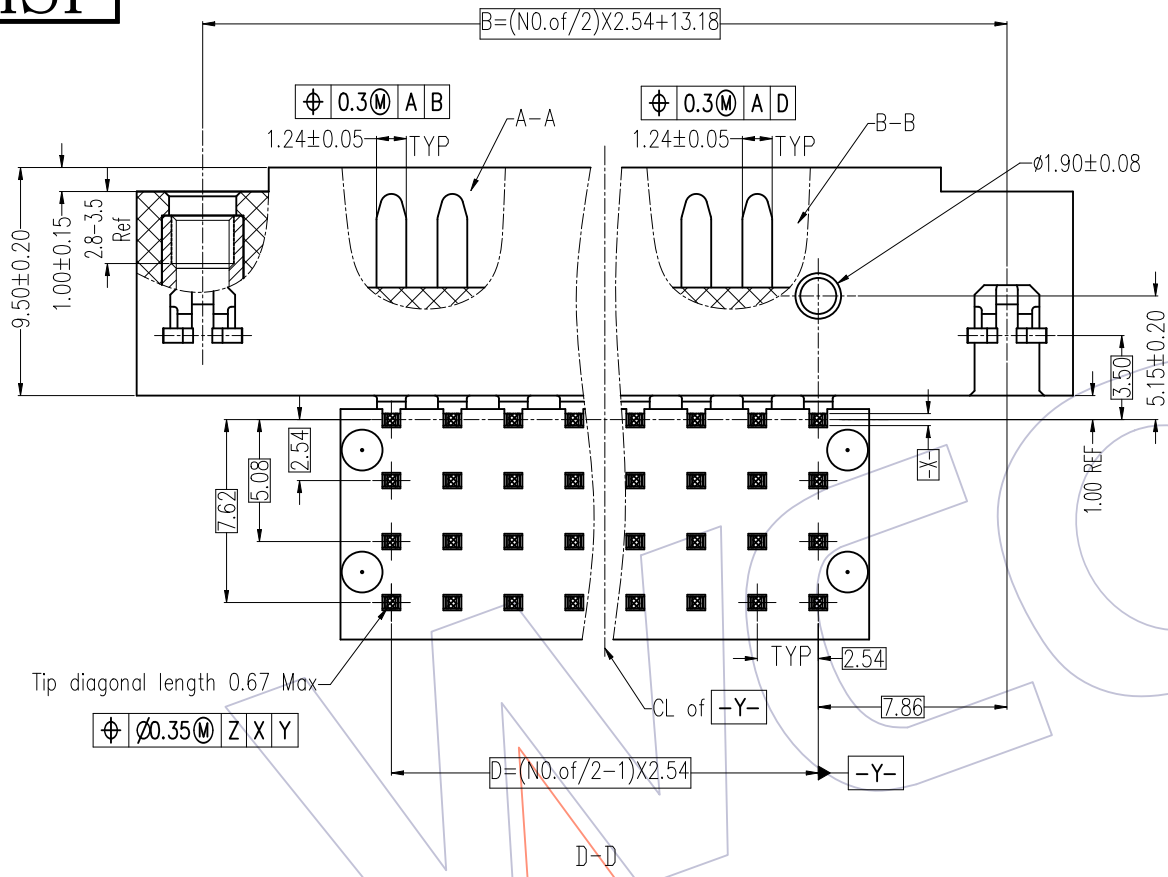
Pin	A	B	C	D	E
8	28.84	23.34	17.84	7.62	14.06
16	39.00	33.50	28.00	17.78	24.22
24	49.16	43.66	38.16	27.94	27.94
32	59.32	53.82	48.32	38.10	34.38
40	69.48	63.98	58.48	48.26	54.70
48	79.64	74.14	68.64	58.42	64.86
56	89.80	84.30	78.80	68.58	75.02
64	99.96	94.46	88.96	78.74	85.18

REV	DATE	MODIFICATION DESCRIPTION	CHANGE	OPERATION		DRAW Houfu Peng	DATE 2020.07.07	SCALE	FIT	PART NO. 6340-2XXMRESXMT01
				X.X	±0.40					
				X.XX	±0.25	CHECK	DATE	UNIT	mm	TITLE: 2.54mm DFCN Connector Male, Double-deck 90° DIP (Reverse Type) With Metal Harpoon And M2.6 Nut
A0	2020.07.07	NEW	Houfu Peng	X.XXX	±0.15	APPROVE	DATE	SIZE	A4	Customer NO.
				Angle	± 3°			SHEET	1/2	
				DIM	TOL			PROJ.		

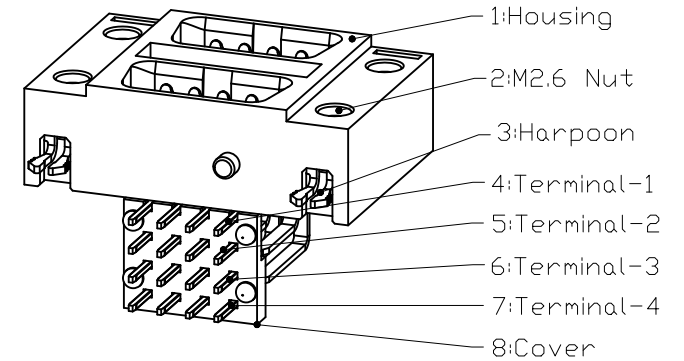
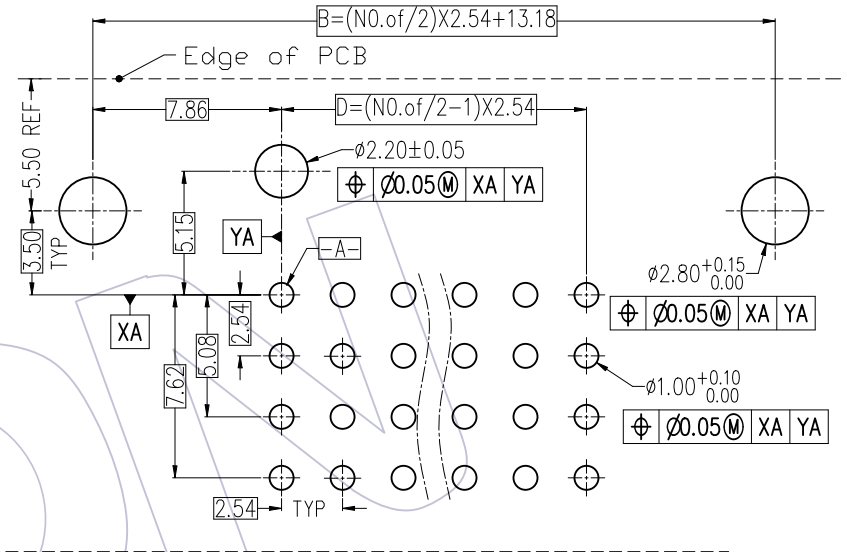
WCON
[Http: www.wcon.com](http://www.wcon.com)

WCON-Dongguan Tel: +86 769 85358920 Fax: +86 769 85358915 E-mail: sales@wcon.com	WCON-Kunshan Tel: +86 512 57468408 Fax: +86 512 57468468 E-mail: salesks@wcon.com
---	--

HSF



Recommended P.C.B Layout(Top Side)
 (PCB BOARD TOLERANCE ± 0.05 , $T=1.6 \pm 0.2$)



				OPERATION	DRAW	DATE	SCALE	FIT	PART NO.	WCON Http: www.wcon.com
				x.x ±0.40	Houfu Peng	2020.07.07	UNIT	mm	6340-2XXMRESXMWTO1	
				x.xx ±0.25	CHECK	DATE	SIZE	A4	TITLE: 2.54mm DFCN Connector Male, Double-deck 90° DIP (Reverse Type) With Metal Harpoon And M2.6 Nut	WCON-Dongguan
A0	2020.07.07	NEW	Houfu Peng	x.xxx ±0.15	APPROVE	DATE	SHEET	2/2	Customer NO.	WCON-Kunshan
REV	DATE	MODIFICATION DESCRIPTION	CHANGE	Angle ± 3° DIM TOL			PROJ.			Tel: +86 769 85358920
										Tel: +86 512 57468408
										Fax: +86 769 85358915
										Fax: +86 512 57468468
										E-mail: sales@wcon.com
										E-mail: salesks@wcon.com