

HSF

NOTES:

1. Current Rating: 1.0A ;
2. Voltage Rating: 250V AC ;
3. Contact Resistance: 15mΩ Max;
4. Withstand Voltage: 500V AC;
5. Insulation Resistance: 1000MΩ Min;
6. Operating Temperature: -55° C to +105° C;
7. Part Material:

Housing Material: PBT+G. F UL94-V0, Color: Black;
 Back cover Material: PBT+G. F UL94-V0, Color: Black;
 Strain Relief Material: ABS+PC UL94-V0, Color: Black;
 Lock Material: Stainless Steel;
 Screw Material: Stainless Steel;
 Contact Material: Copper Alloy;

8. Contact plating:

xx μ" Gold on contact area
 (See Ordering Information),
 100 μ" TIN on solder area,
 50 μ" Nickel underplating overall;

9. Recommended process:

IR soldering, Peak temperature: 235±5°C 5s ;
 10. Applicable Wire: 28#AWG, O. D. : 0.1.0mm;
 Applicable Wire Width: See Table 1.

Ordering Information:

6341 - XX F I X 28 XX T 01

No. of Pins:
See Table 1

Female

IDC Type

Back cover OPTION

E: Closed-end

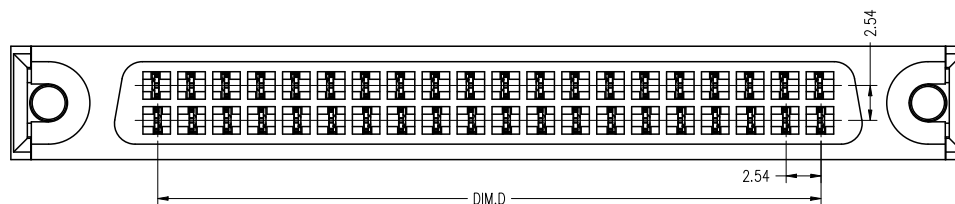
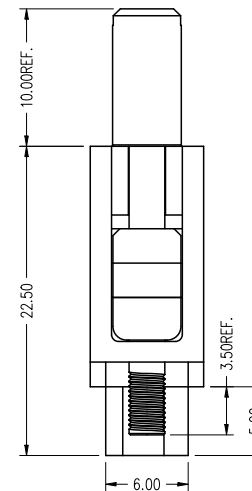
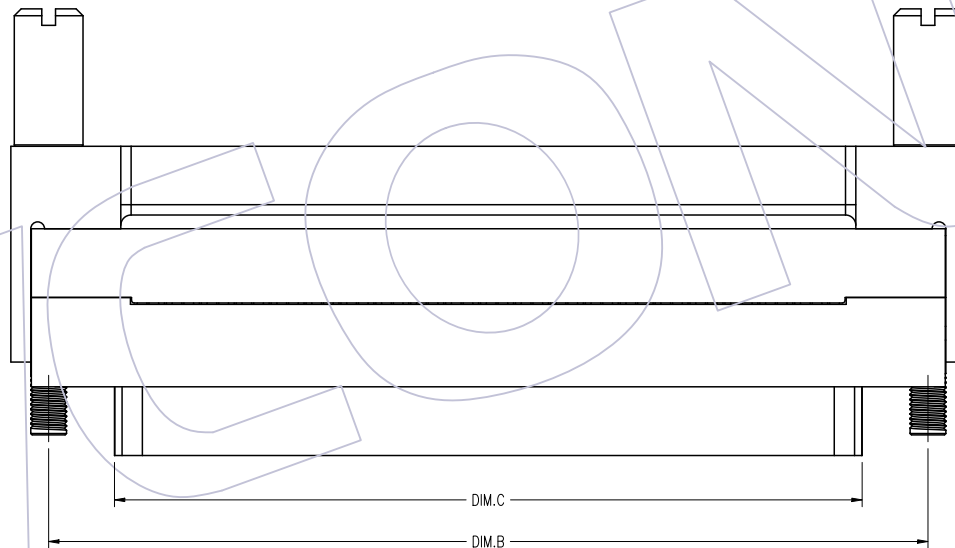
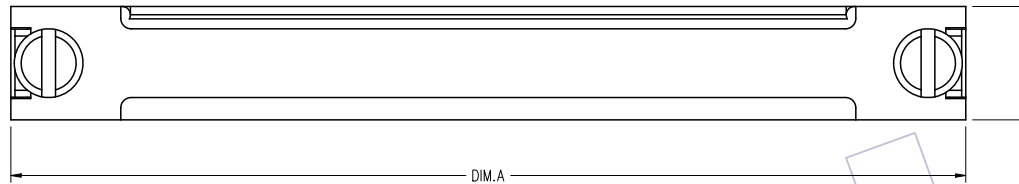
T: Through-end

WCON Internal Code

Packing
T=Tube Pack

Contact plating:
S0: Sel. Gold Flash/Sn
S1: Sel. 3U" Au/Sn

Applicable Wire
See Notes 10.



REV	DATE	MODIFICATION DESCRIPTION	CHANGE	OPERATION		DRAW Morris	DATE 2021/08/12	SCALE	FIT	PART NO. 6341-XXFIX28XXT01
				X.X	±0.30					
				X.XX	±0.25	CHECK	DATE	UNIT	mm	TITLE: 2.54*2.54mm DFCN Connector Female, IDC Type
A0	2021/08/12	NEW	---	X.XXX	±0.15	APPROVE	DATE	SHEET	1/3	Customer NO.
				Angle	±3'		PROJ.			
				DIM	TOL					

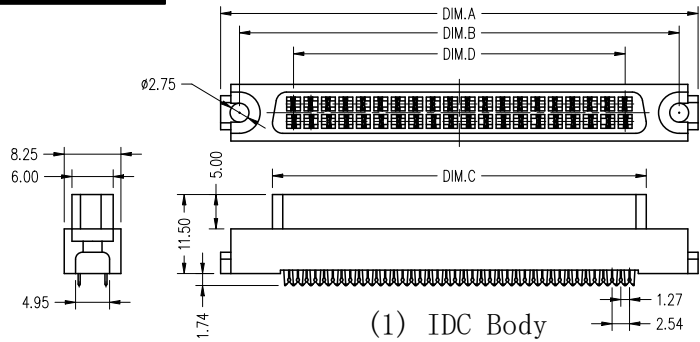
WCON

Http: www.wcon.com

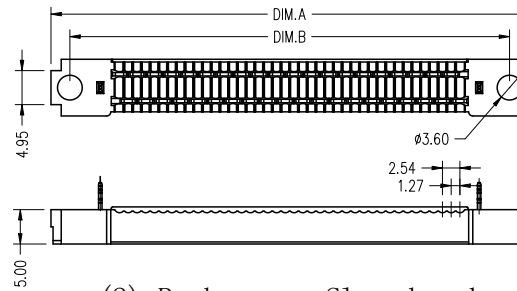
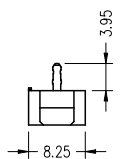
WCON-Dongguan
 Tel: +86 769 85358920
 Fax: +86 769 85358915
 E-mail: sales@wcon.com

WCON-Kunshan
 Tel: +86 512 57468408
 Fax: +86 512 57468468
 E-mail: salesk@wcon.com

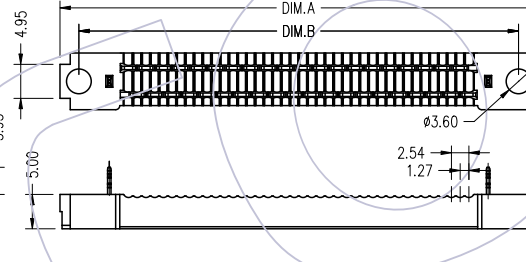
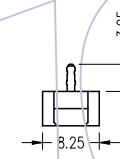
HSF



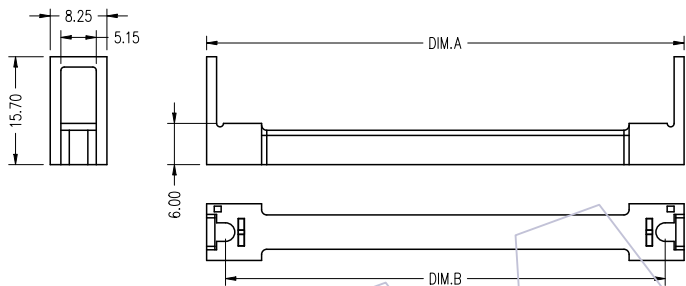
(1) IDC Body



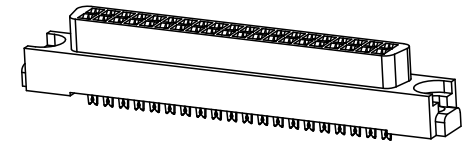
(2) Back cover Closed-end



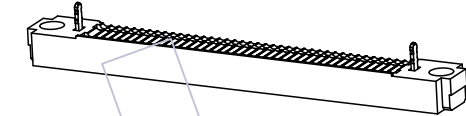
(2) Back cover Through-end



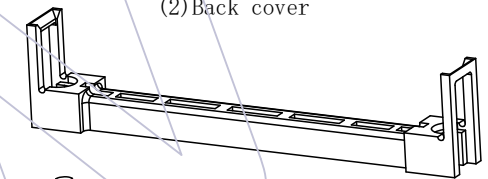
(3) Strain Relief



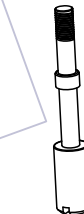
(1) IDC Body



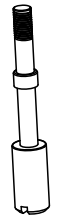
(2) Back cover



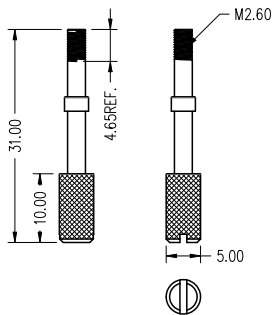
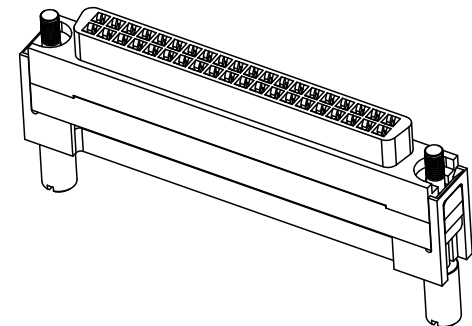
(3) Strain Relief



(4) Lock-Screw



3D Exploded Views



(4) Lock-Screw

TABLE 1:

No. of Pins	DIM. A	DIM. B	DIM. C	DIM. D	Wire Width
08	28.84	23.34	13.76	7.62	10.16
16	39.00	33.50	23.92	17.78	20.32
24	49.16	43.66	27.64	27.94	30.50
32	59.32	53.82	34.08	38.10	40.65
40	69.48	63.98	54.40	48.26	50.80
48	79.64	74.14	64.56	58.42	60.96
56	89.80	84.30	74.72	68.58	71.10
64	99.96	94.46	84.88	78.74	81.30

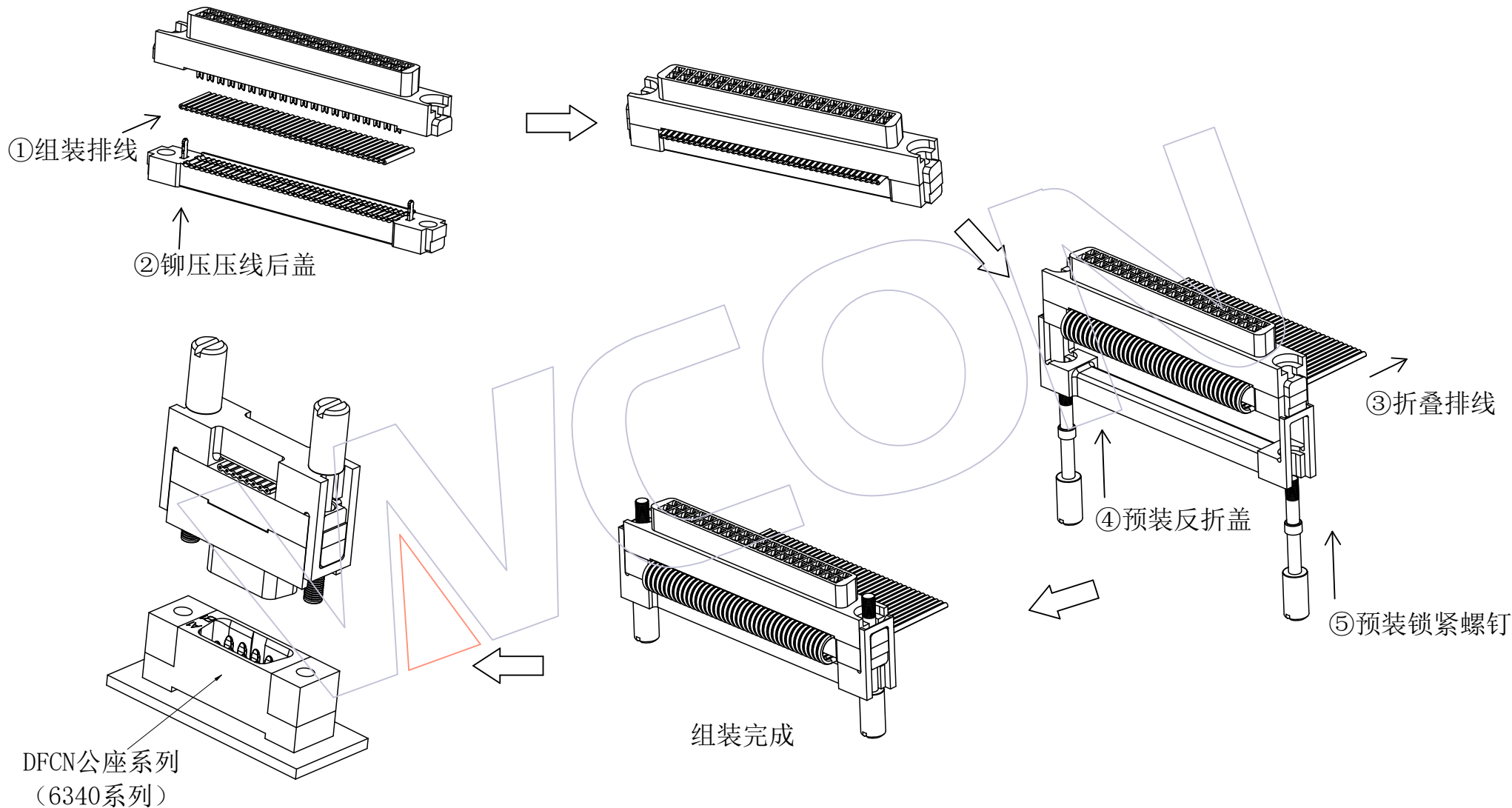
TABLE 2:


PARTS LIST			
ITEM	PART NO.	TITLE:	Q'ty
(1)	B6341-XXFIAXXXXT01	IDC Body	1SET
(2)	B6341-XXFICE00MOT01	Back cover Closed-end	1SET
	B6341-XXFICT00MOT01	Back cover Through-end	1SET
(3)	G6341-DXXXFBSN001	Strain Relief	1PCS
(4)	L6341-SM005	Lock-Screw, M2.6*31.0mm	2PCS

		OPERATION		DRAW		DATE		SCALE		FIT		PART NO.		 Http: www.wcon.com	
		x.x ±0.30		Morris		2021/08/12		UNIT		mm		6341-XXFIX28XXT01			
		x.xx ±0.25		CHECK		DATE		SIZE		A4		TITLE:		2.54*2.54mm DFCN Connector Female, IDC Type	
		x.xxx ±0.15		APPROVE		DATE		SHEET		2/3		Customer NO.			
A0	2021/08/12	NEW		---				PROJ.				WCON-Dongguan Tel: +86 769 85358920 Fax: +86 769 85358915 E-mail: sales@wcon.com		WCON-Kunshan Tel: +86 512 57468408 Fax: +86 512 57468468 E-mail: salesks@wcon.com	
REV	DATE	MODIFICATION DESCRIPTION		CHANGE											

HSF

组装方法



				OPERATION	DRAW	DATE	SCALE	FIT	PART NO.	 Http: www.wcon.com
				x.x ±0.30	Morris	2021/08/12	UNIT	mm	6341-XXFIX28XXT01	
				x.xx ±0.25	CHECK	DATE	SIZE	A4	TITLE:	WCON-Dongguan Tel: +86 769 85358920 Fax: +86 769 85358915 E-mail: sales@wcon.com
A0	2021/08/12	NEW	---	x.xxx ±0.15	APPROVE	DATE	SHEET	3/3	2.54*2.54mm DFCN Connector Female, IDC Type	
REV	DATE	MODIFICATION DESCRIPTION	CHANGE	Angle ±3'			PROJ.		Customer NO.	
				DIM TOL						