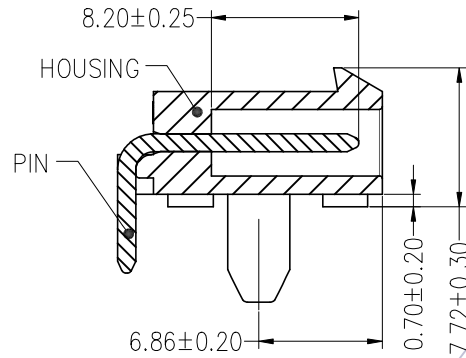


HSF

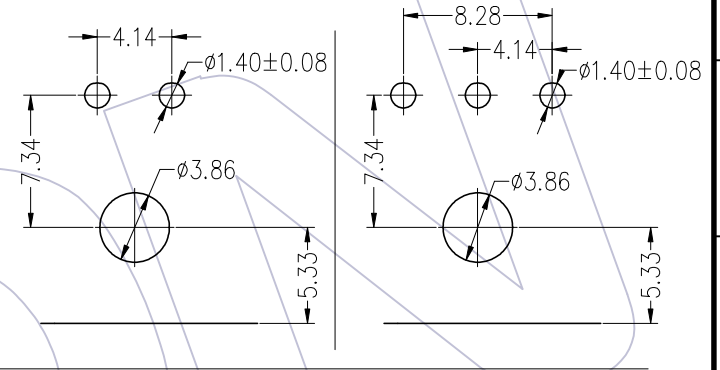
NOTES:
 Rated Current: 7.0A
 Contact Resistance: 20mΩ max
 Withstand Voltage: AC 1500V
 Insulation Resistance: 1000MΩ/DC 500V
 Operation Temperature: -20°C to +85°C

Contact Material: Brass
 Contact plating: Sn Over Ni
 Insulator Material: PA66 UL94V-0



SEC A-A

Recommended P.C.B Layout (Top Side)
 (PCB BOARD TOLERANCE ±0.05, T=1.57mm)



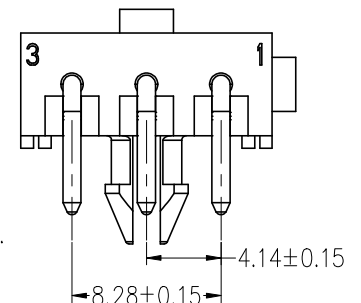
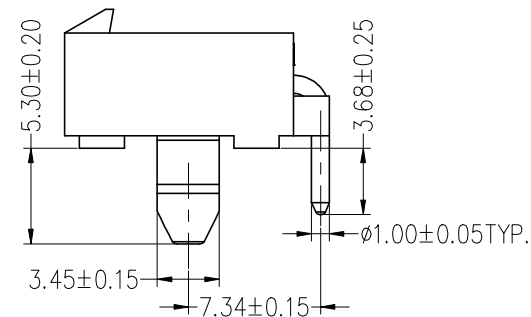
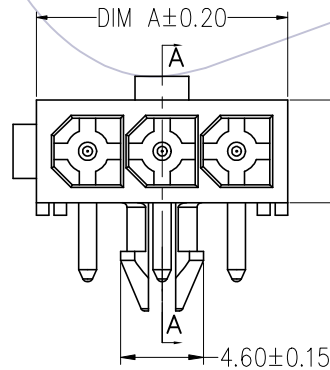
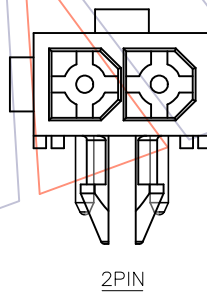
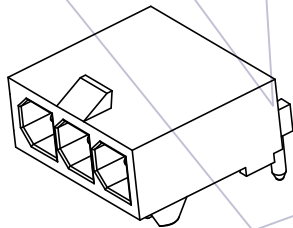
Specification & Ordering Information:

Circuit	Part No.	Dimension
		A
02	WF4141-1WR02W02	9.83
03	WF4141-1WR03W02	13.97

Ordering Information

WF4141 - 1 WR XX W 0 2

No. of Row Single Row
 Right Angle Type
 No. of pins
 02=02PIN
 03=03PIN
 Wcon Internal Code
 Package
 0=PE bag
 Colour
 W=White



REV	DATE	MODIFICATION DESCRIPTION	CHANGE	OPERATION		DRAW Morris	DATE 2022/11/17	SCALE	FIT	PART NO. WF4141-1WRXXW02
				XX	±0.30					
				X.XX	±0.25	CHECK	DATE	UNIT	mm	TITLE: 4.14mm Wafer, "T" Type, Single Row, R/A, W/T Post
A0	2022/11/17	NEW	---	X.XXX	±0.15	APPROVE	DATE	SHEET	1/1	Customer NO.
				Angle	±3'			PROJ.	◆	
				DIM	TOL					

WCON

Http: www.wcon.com

WCON-Dongguan
 Tel: +86 769 85358920
 Fax: +86 769 85358915
 E-mail: sales@wcon.com

WCON-Kunshan
 Tel: +86 512 57468408
 Fax: +86 512 57468468
 E-mail: salesks@wcon.com