

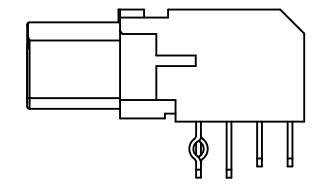
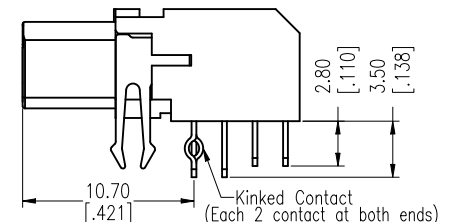
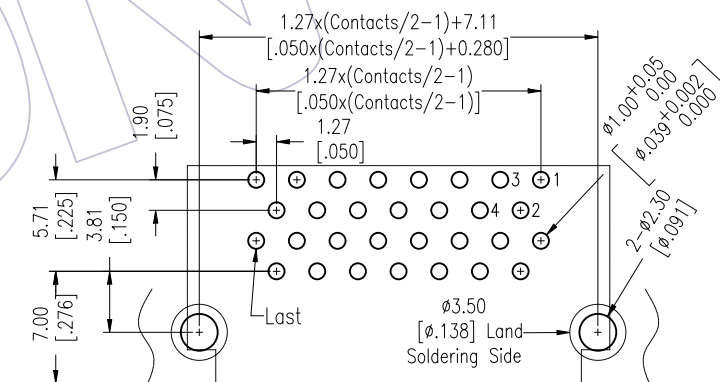
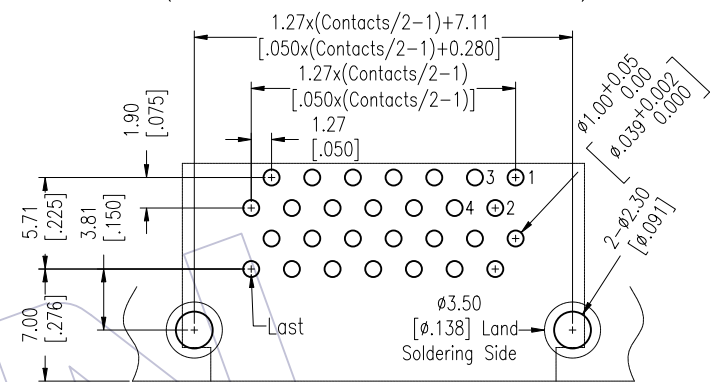
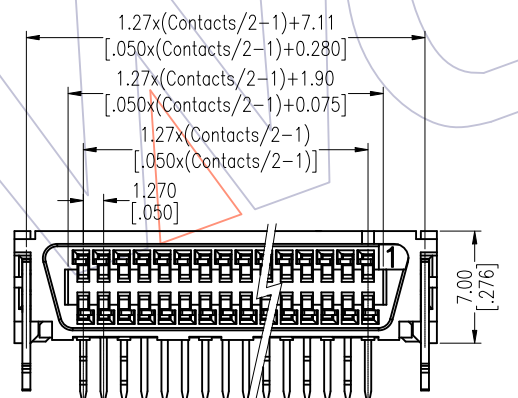
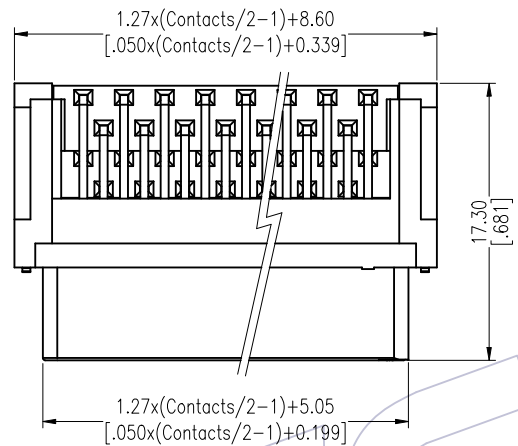
HSF

NOTES:

Current Rating:0.5A/Contact
 Voltage Rating:250V AC
 Contact Resistance:35milliohm Max
 Withstand Voltage:500V AC/DC
 Insulation Resistance:500Megohm Min
 Operation Temperature:-20°C to +105°C

Housing Material:PBT+30%G.F UL94V-0 BK
 Cover Material:PBT+30%G.F UL94V-0 BK
 Terminal Material:Copper alloy
 Board Lock Material:Copper alloy
 Terminal plating:Sn-Au over Ni
 Board Lock plating:Sn over Ni

Recommended P.C.B Layout (Top Side)
 (PCB BOARD TOLERANCE±0.05)

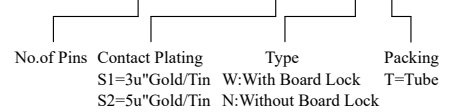


With Board Lock

Without Board Lock

Ordering Information

6321D-XXX RD XX P X X 01



				OPERATION	DRAW	DATE	SCALE	Fit	PART NO.
				X.X ±0.40	William Chen	2012.03.27	UNIT	mm	6321D-XXXRDXXPXX01
				X.XX ±0.25	CHECK	DATE	SIZE	A4	TITLE:
				X.XXX ±0.15	APPROVE	DATE	SHEET	1/1	1.27mm SCSI D-Type Female 90° DIP
A0	2012/03/27		NEW	Angle ± 3°			PROJ.		Customer NO.
REV	DATE		MODIFICATION DESCRIPTION	DIM	TOL				

WCON
 Http: www.wcon.com
 WCON-Dongguan WCON-Kunshan
 Tel: +86 769 85358920 Tel: +86 512 57468408
 Fax: +86 769 85358915 Fax: +86 512 57468468
 E-mail: sales@wcon.com E-mail: salesks@wcon.com